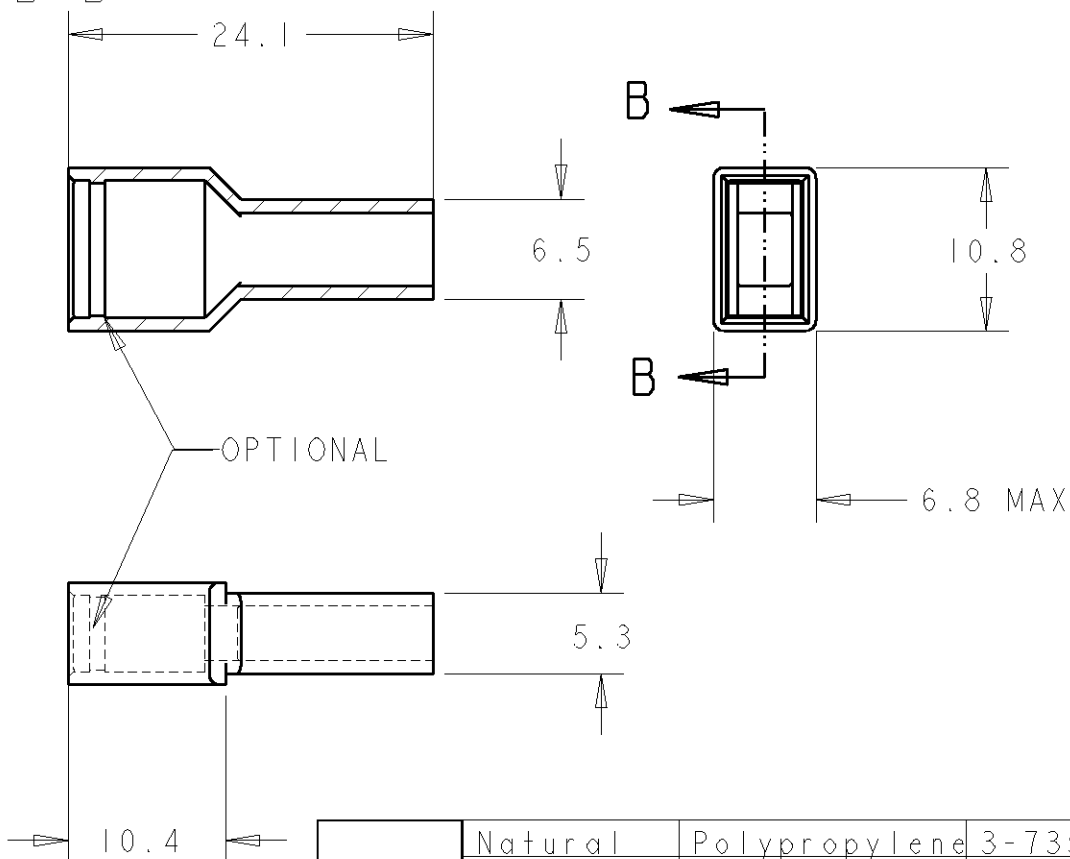


LOC	DIST	REVISIONS					
AL	2	P	LTR	DESCRIPTION	DATE	DWN	APVD
		D3		REVISED PER ECO-11-005139	28MAR11	RK	HMR

**1** OBSOLETE PARTS: OBSOLETE CIS STREAMLINING PER D.RENAUD/D.SINISI

SECTION B - B



<b>1</b> OBSOLETE	Natural	Polypropylene	3-735093-0
	Natural	Poliamida 6/6	2-735093-0
	Naranja	Polyethylene	735093-9
	Violeta	Polyethylene	735093-8
	Gris	Polyethylene	735093-7
	Marron	Polyethylene	735093-6
	Negro	Polyethylene	735093-5
	Amarillo	Polyethylene	735093-4
	Azul	Polyethylene	735093-3
	Verde	Polyethylene	735093-2
	Rojo	Polyethylene	735093-1
	Natural	Polyethylene	735093-0
COLOR	MATERIAL	P.N.	

SCALE 1:1

RELEASED FOR PUBLICATION

THIS DRAWING IS UNPUBLISHED.

ALL RIGHTS RESERVED.

BY - COPYRIGHT -

DIMENSIONS:	
MM	
TOLERANCES UNLESS OTHERWISE SPECIFIED:	
0 PLC	±
1 PLC	±TOLERANCIA
2 PLC	±GENERAL
3 PLC	±± 0.3
4 PLC	±
ANGLES	±-

DWN	J. LAZARO	26SEP2007
CHK	J. SALO	26SEP2007
APVD	L. BATLLO	26SEP2007
PRODUCT SPEC	108-22033	
APPLICATION SPEC	-	
WEIGHT	-	

MATERIAL	-	FINISH	-
TE Connectivity			
NAME			
PROTECTOR SERIE 6.35 LANGUETA FASTON			
SIZE	CAGE CODE	DRAWING NO	RESTRICTED TO
A4	00779	C=735093	-

CUSTOMER DRAWING	SCALE	2:1	SHEET	1	OF	1	REV	D3
------------------	-------	-----	-------	---	----	---	-----	----