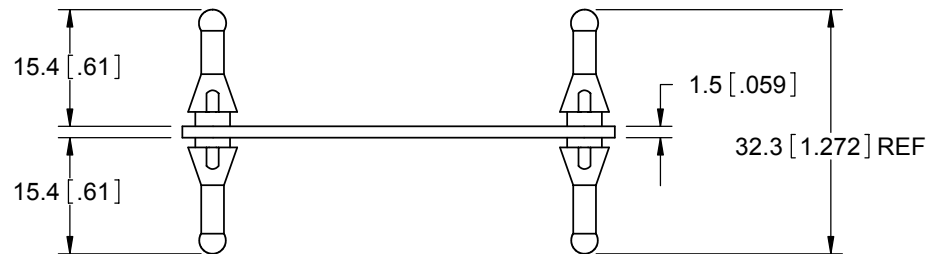
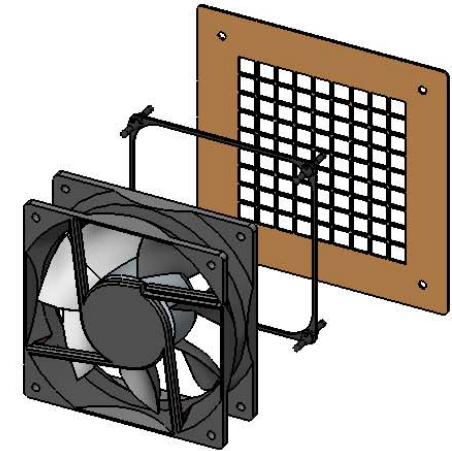
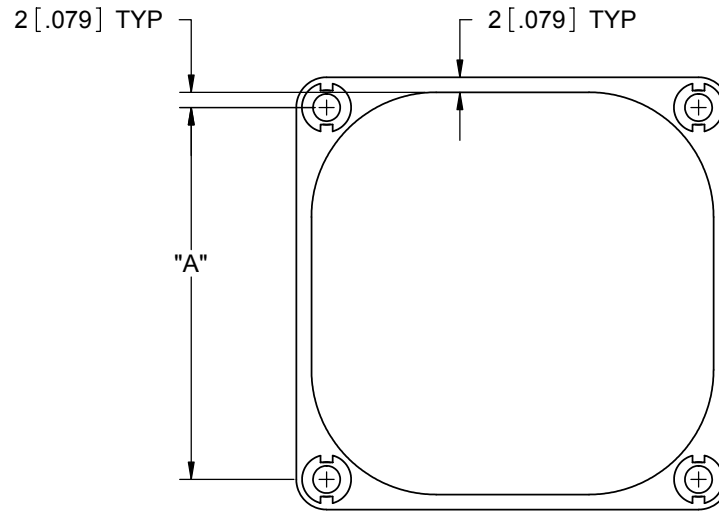
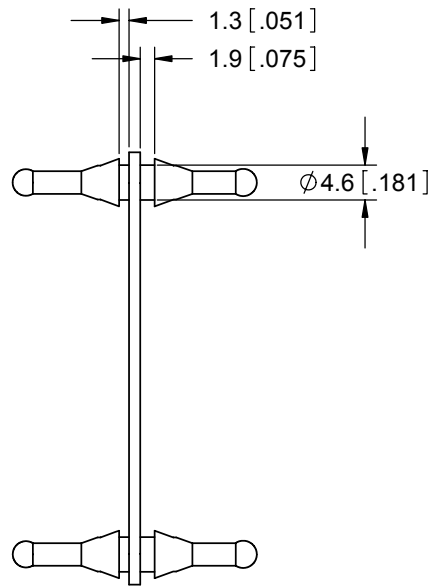


PART NUMBER	"A" AS ASSEMBLED
FMG-1	50 [1.969]
FMG-2	71.5 [2.815]
FMG-3	105.2 [4.142]



- NOTES:  
 1. MATERIAL: EPDM RUBBER 40, SHORE A (RMS-180)  
 2. COLOR: BLACK  
 3. TO PULL THROUGH A  $5 \pm 0.1$  [.197 $\pm$ .039] HOLE, WITH MAXIMUM 1.4 [.055] PANEL AND 2 [.079] FAN THICKNESS  
 4. ALTERNATE UNITS FOR REFERENCE ONLY.

TITLE: FAN MOUNT GASKET				DWG IN mm [IN]		FINAL	
CREATED USING SOLIDWORKS	FILE #: FMG	DWN: D.J.Z.	APP: D.J.Z.				
GENERAL TOLERANCE UNLESS NOTED $\pm 0.25$ ANG. $\pm 1^\circ$	SHEET: 1 OF 1	SHEET SIZE: A	DT: 01/15/07	CHKD: S.K.	PART #		PRINT TYPE
RE: RICHCO INC.		RICHCO, INC. ENG@RICHCO-INC.COM (773) 539-4060		SEE TABLE		CA	

REV.	DESCRIPTION	ENGR.	DATE
A	RELEASED FOR PRODUCTION	SK	01/15/07