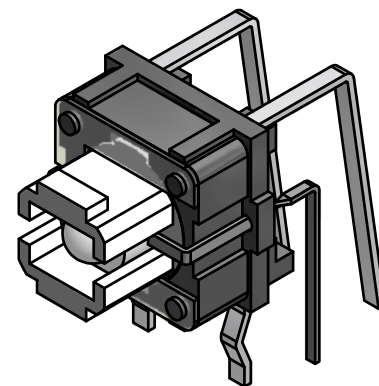
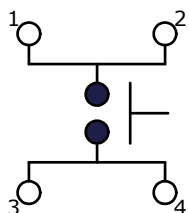


LED SPECS	UNITS	GREEN
FORWARD CURRENT	mA	20 TYP.
FORWARD VOLTAGE	V	2.1 TYP. - 2.5 MAX.
LUMINOUS INTENSITY	MCD	800 TYP.



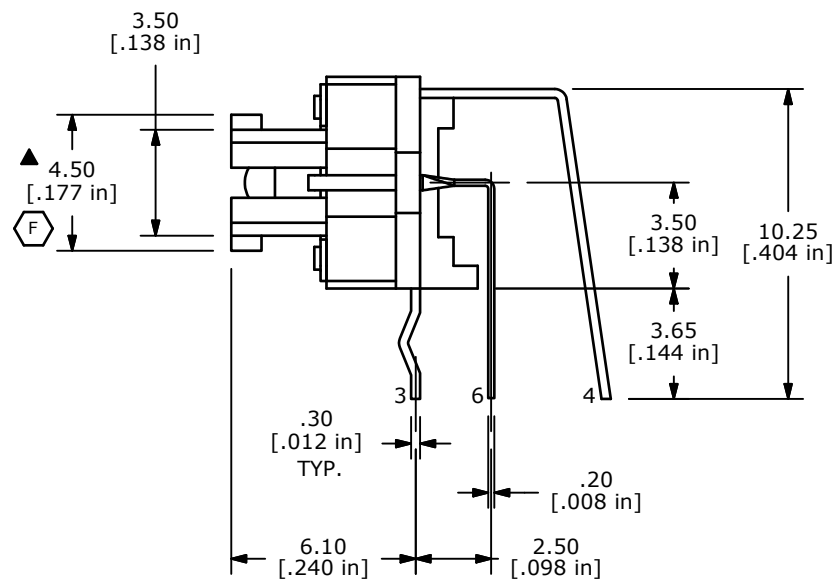
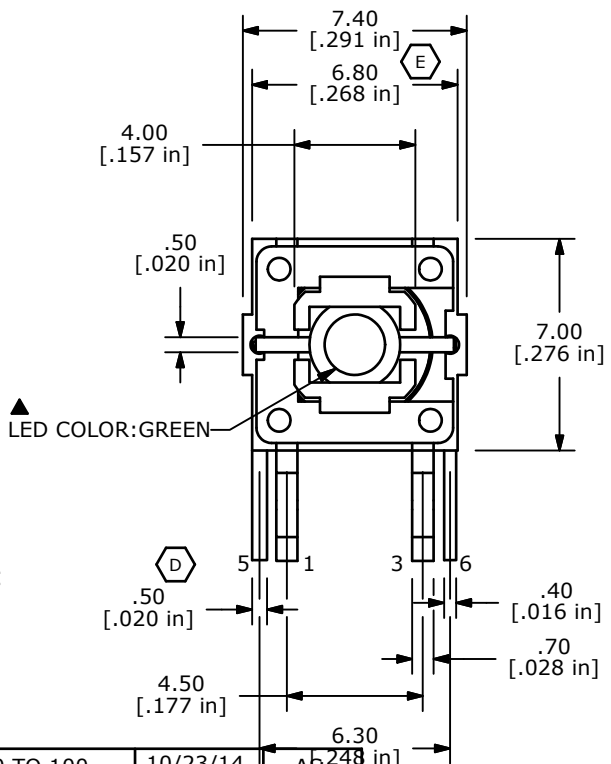
ISOMETRIC



CIRCUIT: SPST

NOTES:

1. ALL DIMENSIONS IN MM [INCH]
2. GENERAL TOLERANCE: X.X=±0.4
X.XX=±0.25
3. RATING: 12VDC @ 50mA
4. CONTACT RESISTANCE: 100mΩ MAX.
5. INSULATION RESISTANCE: 100MΩ MIN.
6. OPERATING FORCE: 160± 50gf
7. TRAVEL: 0.2±0.1mm
8. OPERATING TEMPERATURE: -20°C TO 70°C
9. OPERATING LIFE 500,000 CYCLES
10. LED COLOR: GREEN
11. ▲ DENOTED CRITICAL PARAMETER
12. 2002/95/EC (ROHS) COMPLIANT
13. PACKAGE: 100 PIECES PER TRAY



G	21660	CHANGED NOTE 13 FROM 10 TO 100	10/23/14	AS
F	21046	4.5 WAS 6.7	2/21/13	EBP
E	19556	CORRECT NOTES/LED CHART/ DIM	05/19/11	BMA
D	19542	UPDATE DRAWING	12/21/10	BGL
C	18175	CHG LED, UPDATED LED SPECS	07/08/08	RC
REV	PCR NO	DESCRIPTION	DATE	BY



TITLE TL1260GQ NO CAP

SCALE	DATE	DR	DWG	REV
4:1	5/11/2007	TN	B200011	G

THE INFORMATION CONTAINED IN THIS DOCUMENT IS PROPRIETARY TO E-SWITCH AND IS NOT TO BE COPIED OR TRANSFERRED