

# Lift Door Unlocking & Cabin Levelling Safety Module NA1/2-D LIFT

CARLO GAVAZZI



- Certified according to the Lift Directive and EN 81-1, /-2, EN 12015 and EN 12016
- Redundant circuit
- Force guided relay contacts
- Dual channel input
- 2 NO safety outputs
- Failure diagnosis by LEDs
- Feedback circuit for external contactors monitoring
- Possibility to connect mechanical or magnetic switches for lift cabin position monitoring
- Automatic or manual start
- Approval:



## Product Description

Lift door unlocking and lift cabin levelling safety module, designed according to Lift Directive 95/16/CE and to safety circuits requirements of EN 81-1, /-2, EN 12015 and EN 12016 Standards. The module is provided with safety outputs with force guided relay contacts, and feedback circuit. Suited for applications of risk category 4.

## Ordering Key

NA1/2-D LIFT

Case \_\_\_\_\_  
 Application \_\_\_\_\_  
 Controlled Devices \_\_\_\_\_  
 Safety Outputs \_\_\_\_\_  
 Safety Category \_\_\_\_\_  
 Specific Version \_\_\_\_\_

## Electrical Specifications

<b>Power supply</b>	24 Vac -15/+10% 50-60Hz / 24 Vdc -15/+10%	<b>Safety output switching voltage /current /capability</b>	AC 230/240 Vac/8A/1380VA DC 300 V/6A/1380 VA
<b>Power consumption</b>	< 5 VA / 5 W	<b>Safety output contact fuse protection</b>	5 A fast or 4 A delayed
<b>Input current/voltage</b>	70 mA @ 24 Vdc, without load	<b>Insulation voltage</b>	2.5 KV for signal parts; 4.0 KV for safety output parts: Pollution degree 2 Overvoltage category III
<b>Safety outputs</b>	2 NO		
<b>Auxiliary outputs</b>	--		

## Time Specifications

<b>Delay on energisation</b>	≤ 150 ms
<b>Delay on de-energisation</b>	≤ 25 ms
<b>Channel simultaneity</b>	∞

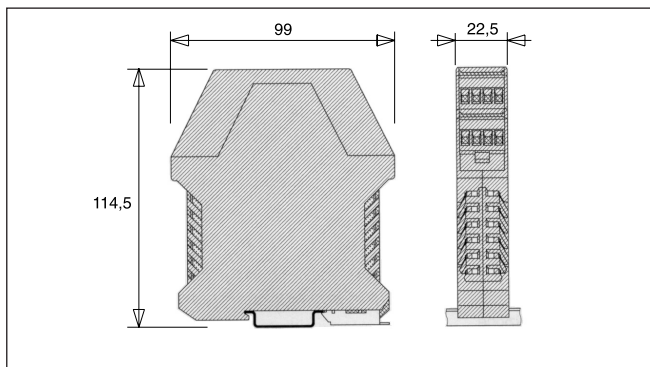
## Environmental Specifications

<b>Operating temperature</b>	-20°C to + 65°C
<b>Storage temperature</b>	-25°C to + 65°C

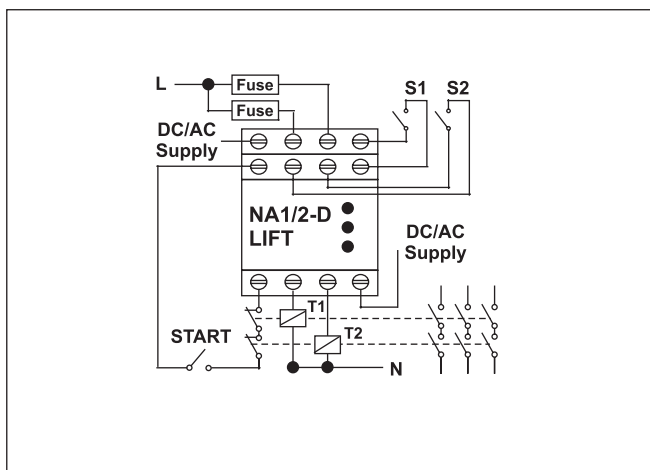
## Mechanical Specifications

<b>Protection degree terminals</b>	IP 20	<b>Max cross section of external conductors</b>	2.5 mm <sup>2</sup> flexible wire 2.5 mm <sup>2</sup> rigid wire
<b>Protection degree housing</b>	IP 40	<b>Dimensions (H x W x D)</b>	99x22.5x105 mm
<b>Housing material</b>	Polyamid PA 6.6	<b>Weight</b>	200 g
<b>Housing type</b>	22.5 mm housing models		
<b>Mounting</b>	DIN rail		

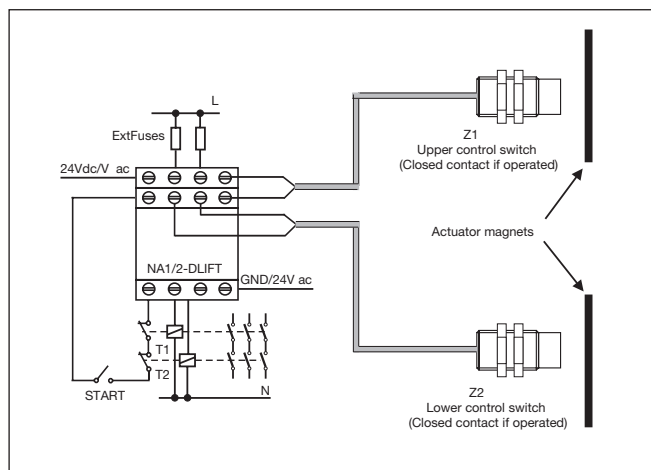
### Dimensions



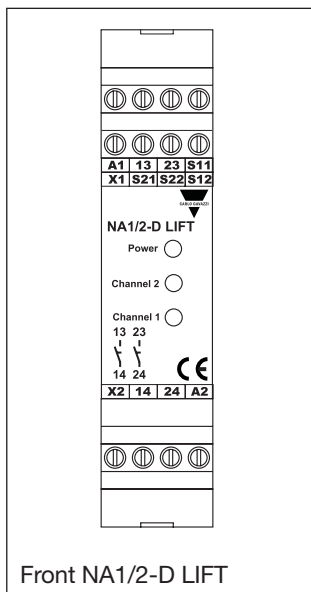
### Wiring Diagrams



### Application



### Connection Sample



Front NA1/2-D LIFT

### Connections

Terminal	Function/Connection
A1	+24 Vdc or AC supply
A2	GND or AC supply
S11-S12	First input channel (NO)
S21-S22	Second input channel (NO)
X1-X2	Feedback and Reset circuit input
13-14	First safety output (NO)
23-24	Second safety output (NO)