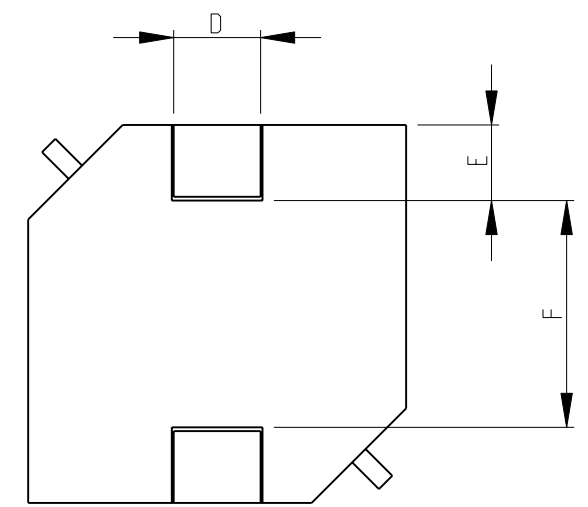
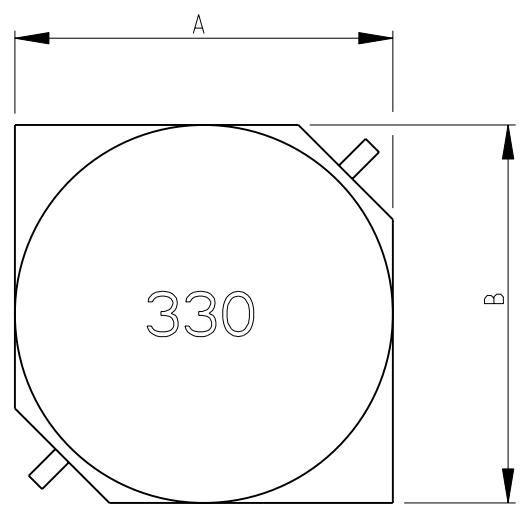
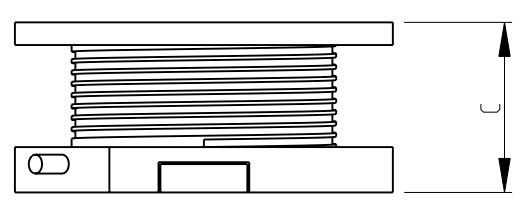


THIS DRAWING IS UNPUBLISHED. RELEASED FOR PUBLICATION 2008
 © COPYRIGHT 2008 BY TYCO ELECTRONICS CORPORATION. ALL RIGHTS RESERVED.

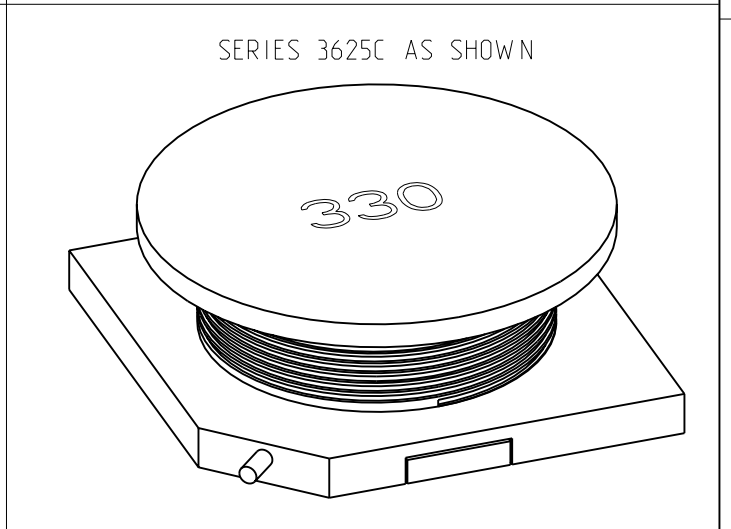
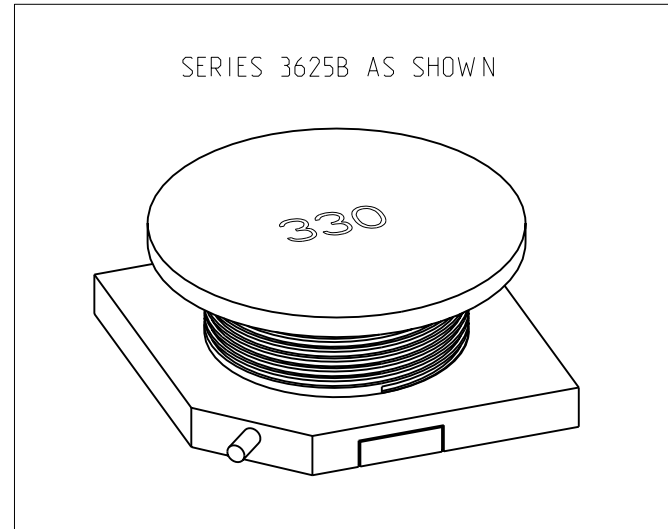
LOC	DIST	REVISIONS			
P	LTR	DESCRIPTION	DATE	DWN	APVD
E	B	A	NEW RELEASE	13-NOV-08	SM St.P



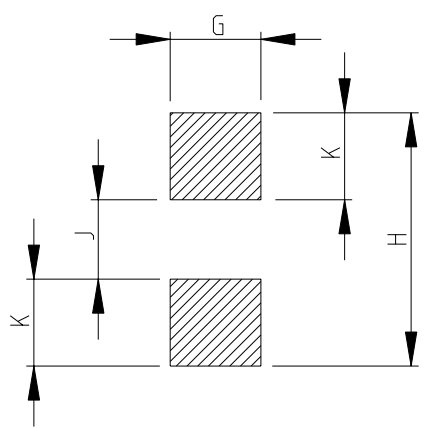
1 AVAILABLE IN 3 DIFFERENT SIZES.
 2 FOR FURTHER INFORMATION SEE DATA SHEET FOR 3625 SERIES-SMD POWER INDUCTORS



RoHS Compliant



RECOMMENDED LAND PATTERN



2.6 REF.	8.4 REF.	13.6 REF.	3.6 REF.	8.6 REF.	2.0 TYP.	3.0 TYP.	4.80±0.3	12.7±0.3	12.7±0.3	3625C
2.4 REF.	5.6 REF.	10.4 REF.	2.8 REF.	6.0 REF.	2.0 TYP.	2.4 TYP.	4.5±0.3	10.0±0.3	10.0±0.3	3625B
2.3 REF.	2.1 REF.	6.7 REF.	2.4 REF.	2.2 REF.	1.9 TYP.	2.0±0.3	2.8±0.5	6.0±0.3	6.0±0.3	3625A
K	J	H	G	F	E	D	C	B	A	SERIES

THIS DRAWING IS A CONTROLLED DOCUMENT FOR TYCO ELECTRONICS CORPORATION. IT IS SUBJECT TO CHANGE AND THE CONTROLLING ENGINEERING ORGANIZATION SHOULD BE CONTACTED FOR THE LATEST REVISION.

DIMENSIONS: mm	TOLERANCES UNLESS OTHERWISE SPECIFIED:	DWN SUBHASH.M 13-NOV-08	Tyco Electronics Corporation Dorcan, Swindon, SN3 5HH
0 PLC ± 0.2 1 PLC ± 0.1 2 PLC ± - 3 PLC ± - 4 PLC ± - ANGLES ± 5°	FINISH -	CHK PRAKASH.S 13-NOV-08	
MATERIAL -		APVD STEPHEN.P 13-NOV-08	NAME SMD POWER INDUCTOR SERIES 3625
		PRODUCT SPEC -	SIZE A3 CAGE CODE 00779 DRAWING NO 1676963 RESTRICTED TO -
		APPLICATION SPEC -	SCALE 5:1 SHEET 1 OF 1 REV A
		WEIGHT -	CUSTOMER DRAWING