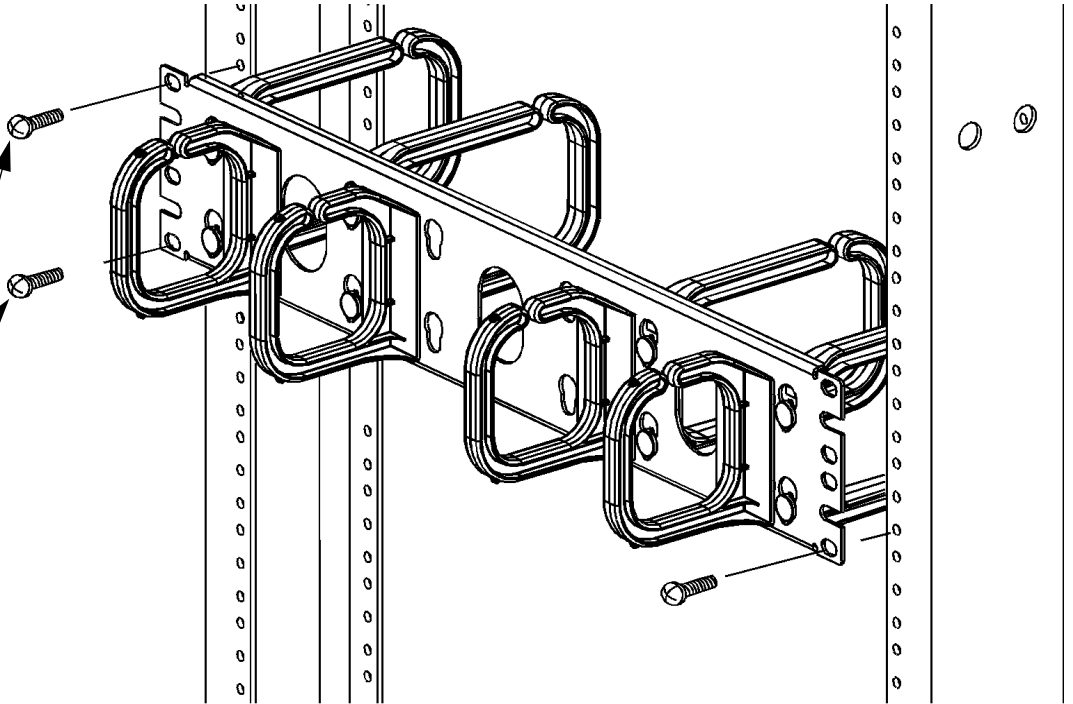
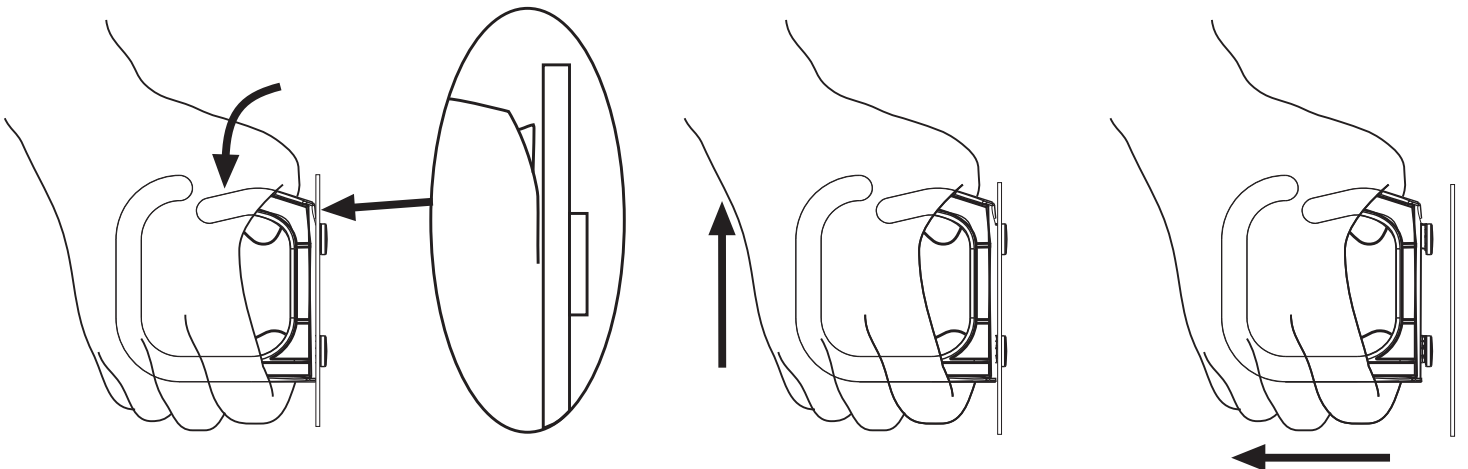


Typical panel mounting procedure to EIA Standard 19" Communication Rack or Network Cabinet

FOUR (4) #12-24 x 1/2"
SCREWS INCLUDED
IN EACH KIT



D-ring removal procedure



Horizontal Cable Management Panels

PART NUMBER	DESCRIPTION	CABLE CAPACITY* UTP (.187")
CMPH1	Manages patch cables and distribution cables. Includes 1.5"x3" D-ring CMDRH1 on the front and 1.5"x5" D-ring CMDRHD1 on the back.	40 Front 40 Back
CMPH2	Manages patch cables and distribution cables. Includes 3"x3" D-ring CMDRH2 on the front and 3"x5" D-ring CMDRHD2 on the back.	96 Front 96 Back
CMPHF1	Manages patch cables. Includes 1.5"x5" D-ring CMDRH1 on the front.	40
CMPHF2	Manages patch cables. Includes 3"x3" D-ring CMDRH2 on the front.	96
CMPHHF1	Manages high density patch cables. Includes 1.5"x5" CMDRHD1 on front.	52
CMPH1W	Manages patch cables and distribution cables. Includes 1.5x3" D-ring CMDRH1 on the front, 1.5x5" D-ring CMDRHD1 on the back, and a cover.	40 Front 40 Back
CMPH2W	Manages patch cables and distribution cables. Includes 3"x3" D-ring CMDRH2 on the front and 3"x5" D-ring on the back, Bend Radius Clip CMSRC2, and a cover.	96 Front 96 Back
CMDRH1	Horizontal D-ring. 1.5"x3" (3.81cm x 7.62cm)	40
CMDRH2	Horizontal D-ring. 3"x3" (7.62cm x 7.62cm)	96
CMDRHD1	Horizontal D-ring. 1.5"x5" (3.81cm x 7.62cm)	52
CMDRHD2	Horizontal D-ring. 3"x5" (7.62cm x 12.7cm)	192
CMPH1C	One rack unit 19" replacement cover	N/A
CMPH2C	Two rack unit 19" replacement cover	N/A

Vertical Cable Management

CMVDR1	1" Wide vertical cable management bracket	96
CMVDR2	2" Wide vertical cable management bracket	192
CMVDRC	Center mounted D-ring	432

NOTE: *Duct capacity is based on a 40% fill.

For Instructions in Local Languages
and Technical Support:

www.panduit.com/resources/install_maintain.asp

PANDUIT

www.panduit.com

E-mail:
techsupport@panduit.com

Fax:
(866 405-6654)