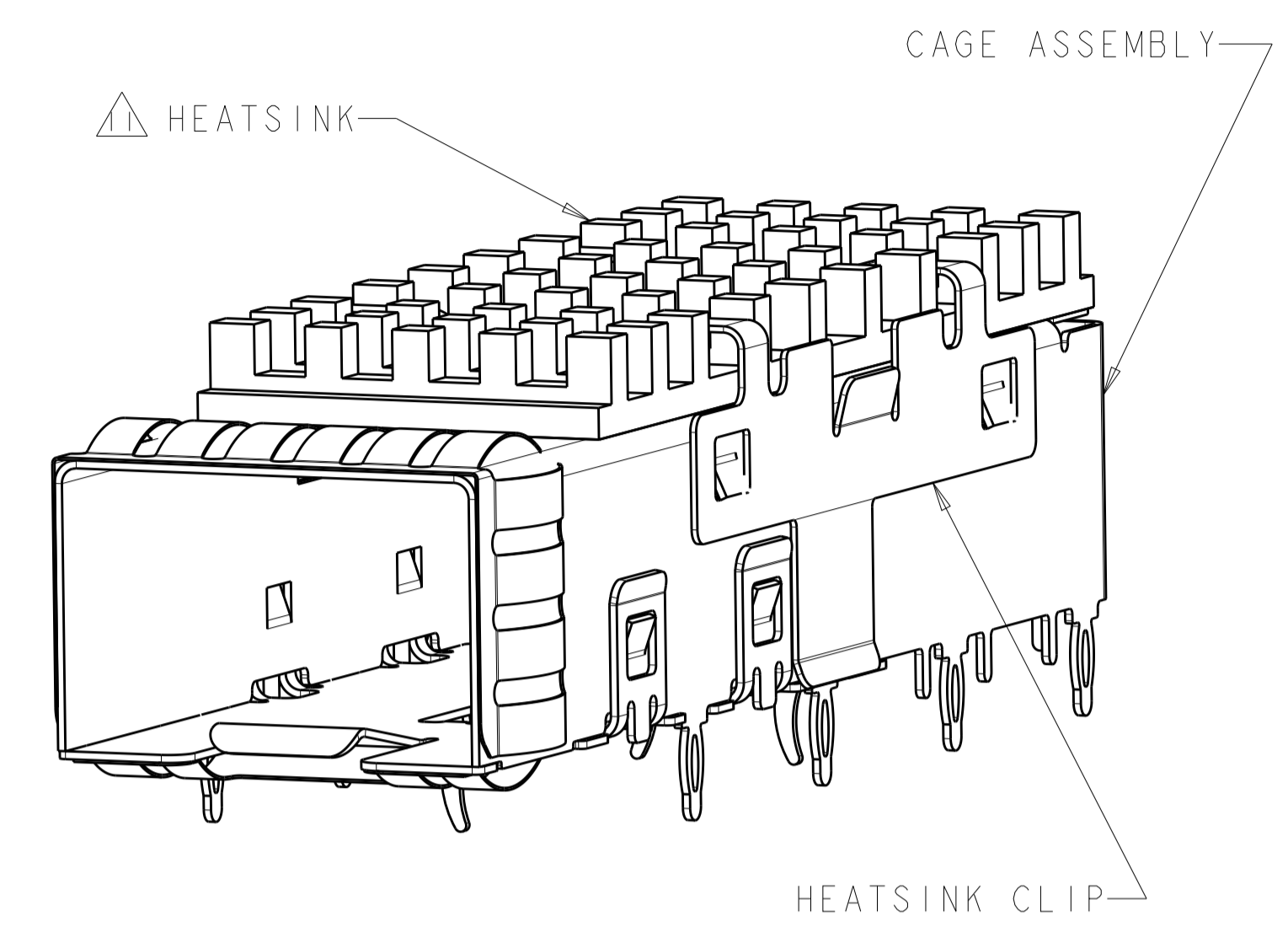
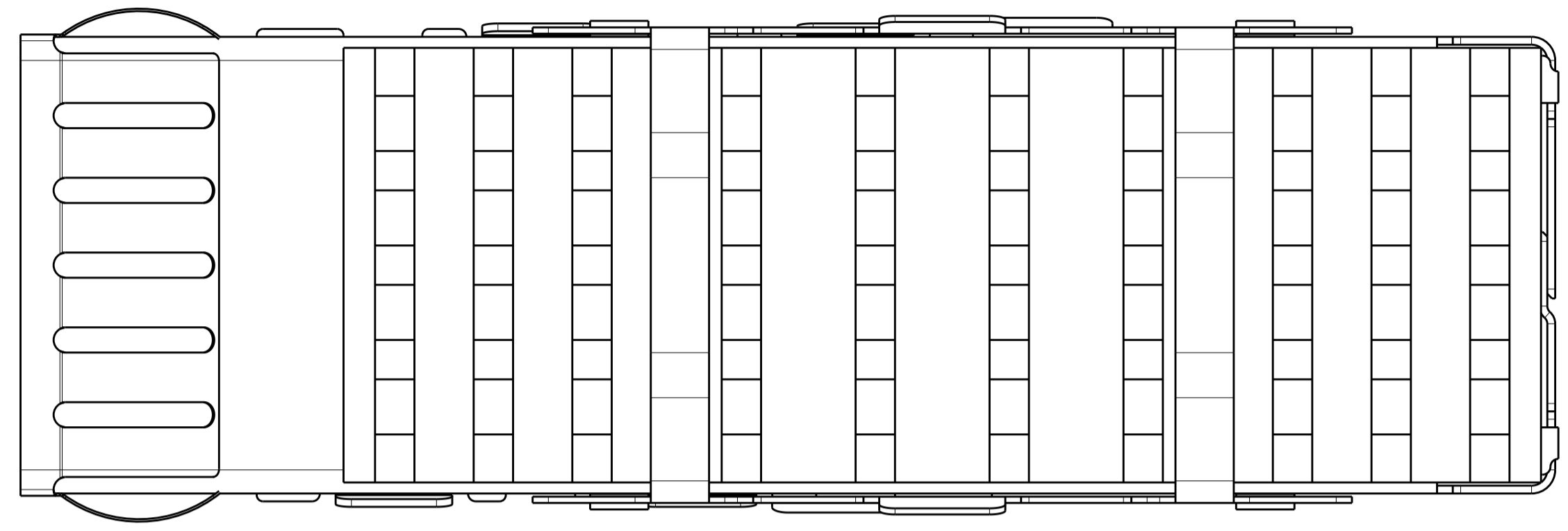
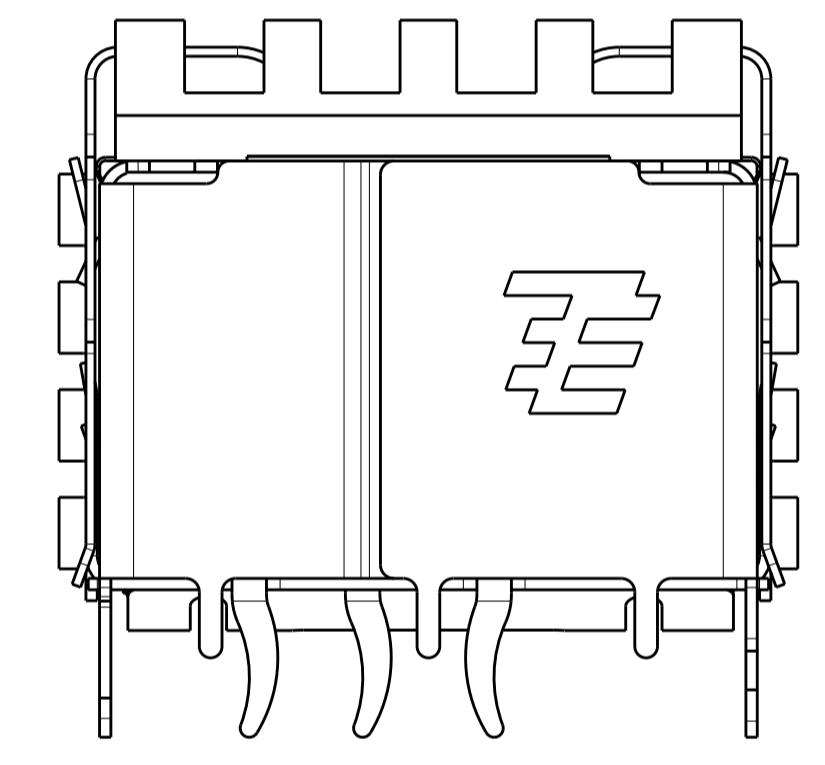
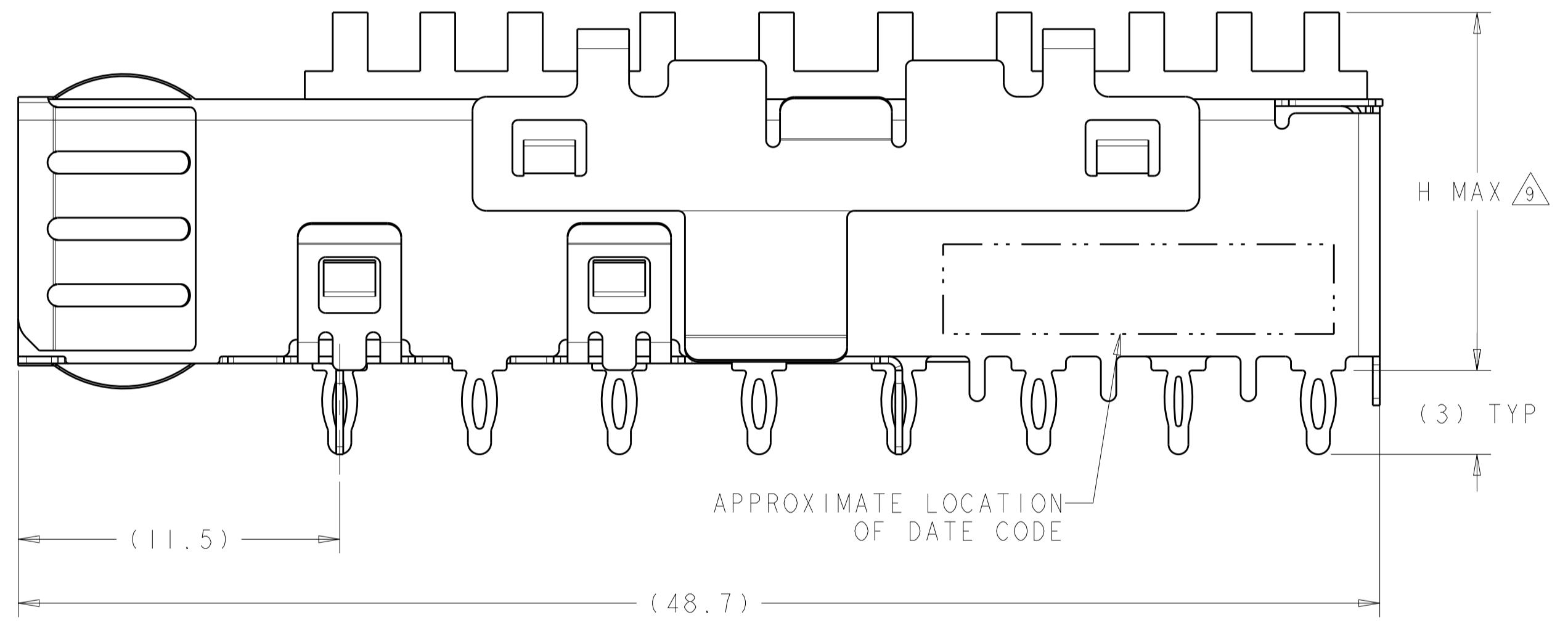
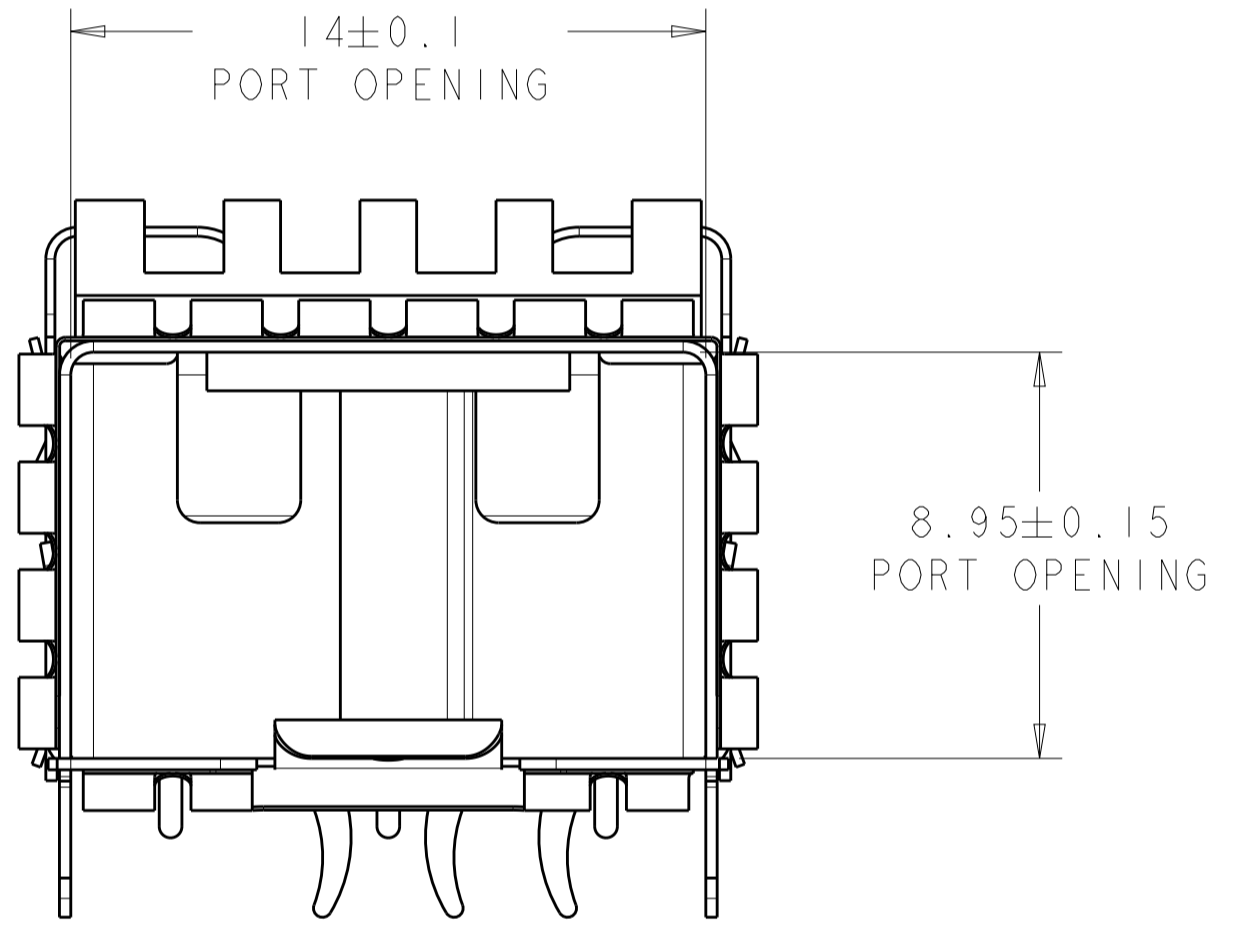


LOC	DIST	REVISIONS					
GP	00	P	LTN	DESCRIPTION	DATE	DMN	APVD
		D1		REVISED PER ECO-11-004835	11MAR2011	RK	HMR
		E		REVISED PER ECO-11-019224	16JAN2012	TX	AC
		E1		ADD PART NUMBER WITH TAPE	27JUL2012	TX	AC
		F		REVISED PER ECO-12-021462	10DEC2012	TX	AC

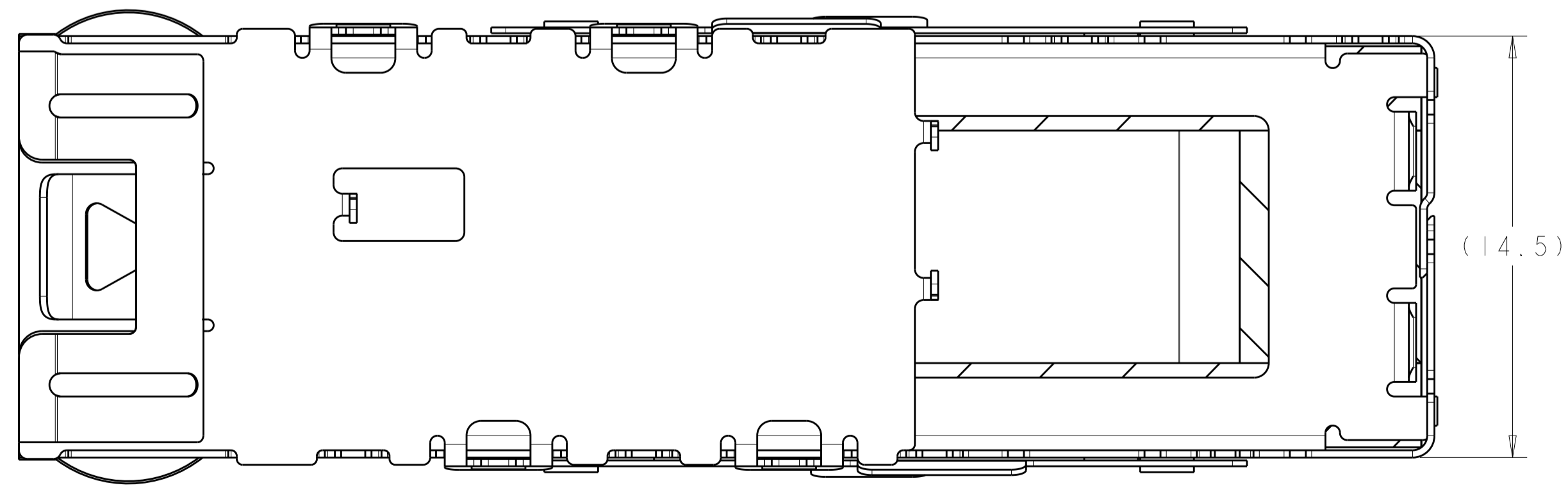
- 1. MATERIAL:
 CAGE - 0.25mm THICK NICKEL SILVER ALLOY
 HEATSINK - ALUMINUM
 HEATSINK CLIP - STAINLESS STEEL
 EMI SPRING(S) - COPPER ALLOY
- 2. FINISH:
 HEATSINK - ELECTROLESS NICKEL
 HEATSINK CLIP - PASSIVATE
 EMI SPRING(S) - 0.8um MIN MATTE TIN OVER 0.8um MIN NICKEL,
 NON-PLATED EDGES PERMISSIBLE.
- 3. MATES WITH SFP MSA COMPLIANT TRANSCEIVERS.
- 4. PADS AND VIAS CHASSIS GROUND.
- 5. DATUM AND BASIC DIMENSION ESTABLISHED BY CUSTOMER.
- 6. MINIMUM PC BOARD THICKNESS:
 SINGLE SIDED = 1.50mm
 DOUBLE SIDED = 3.00mm
- 7. REFERENCE APPLICATION SPEC. 114-13120, HOLE A, FOR
 RECOMMENDED DRILL HOLE DIAMETER AND PLATING THICKNESS.



2007464-1
 SCALE 5:1



- 8. REFERENCE APPLICATION SPEC. 114-13120, HOLE C, FOR
 RECOMMENDED DRILL HOLE DIAMETER AND PLATING THICKNESS.
- 9. DIMENSION APPLIES PRIOR TO INSERTION OF SFP MODULE.
- 10. CAGE ASSEMBLY, HEATSINK CLIP AND HEATSINK SHIPPED
 ASSEMBLED.
- 11. HEAT SINK REFERENCE PART NUMBERS:
 1829903-2 = 4.2 HIGH - PCI
 1829904-2 = 6.5 HIGH - SAN
 1829905-2 = 13.5 HIGH - NETWORKING
- 12. REMOVED

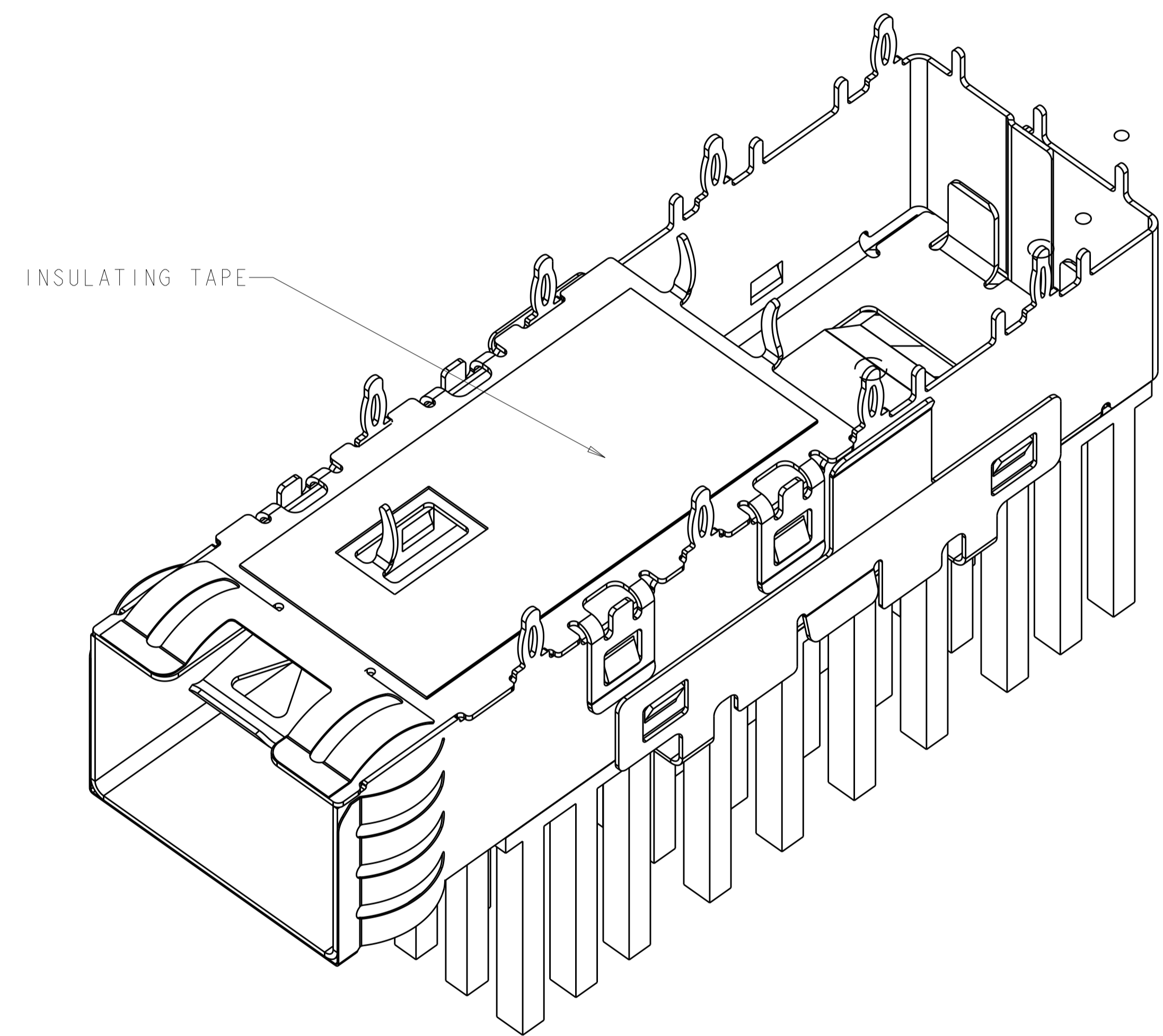


DESCRIPTION	H MAX	APPLICATION	PART NUMBER
W/ INSULATING TAPE	22.8	NETWORKING	2007464-4
W/O INSULATING TAPE	22.8	NETWORKING	2007464-3
W/O INSULATING TAPE	15.8	SAN	2007464-2
W/O INSULATING TAPE	13.5	PCI	2007464-1

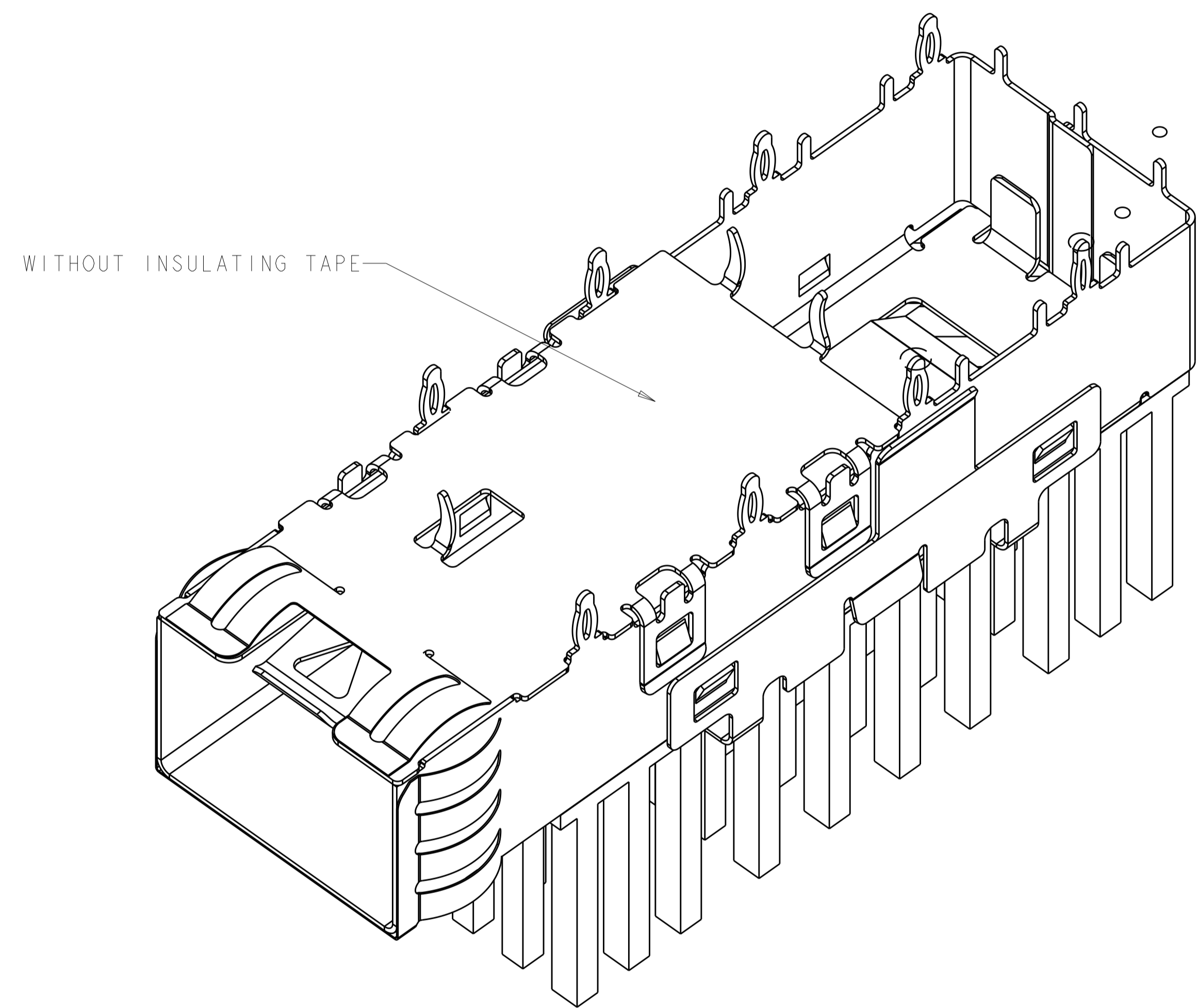
THIS DRAWING IS A CONTROLLED DOCUMENT.

DIMENSIONS:	TOLERANCES UNLESS OTHERWISE SPECIFIED:	DMN Z.M.REAM 20NOV2007	TE Connectivity NAME SFP+ 1X1 CAGE ASSEMBLY, PRESS-FIT PRESS-FIT, EMI SPRINGS WITH HEATSINK SIZE CAGE CODE DRAWING NO RESTRICTED TO A100779C=2007464 Customer Drawing SCALE 2 SHEET 1 OF 4 REV F
mm	0 PLC ±0.1	CHK M.R.SCHMITZ 20NOV2007	
	1 PLC ±0.1	APVD R.H.WERTZ 20NOV2007	
	2 PLC ±0.1		
	3 PLC ±0.05	PRODUCT SPEC 108-2364	
	4 PLC ±0.05	APPLICATION SPEC 114-13120	
	ANGLES ±0.05	WEIGHT	
MATERIAL	FINISH		

LOC		DIST		REVISIONS			
GP	00	P	LYR	DESCRIPTION	DATE	DMN	APVD
		-		SEE SHEET 1			



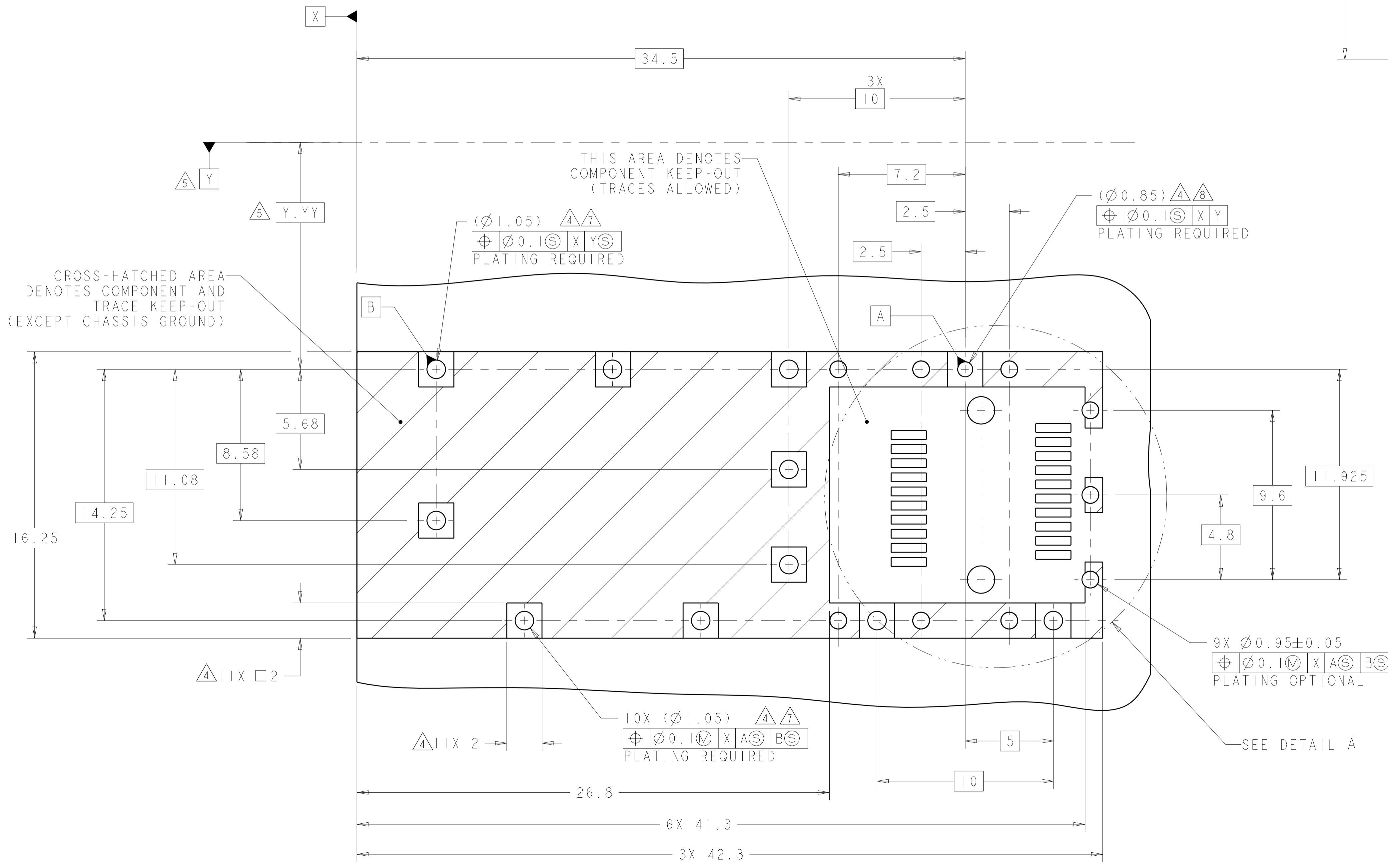
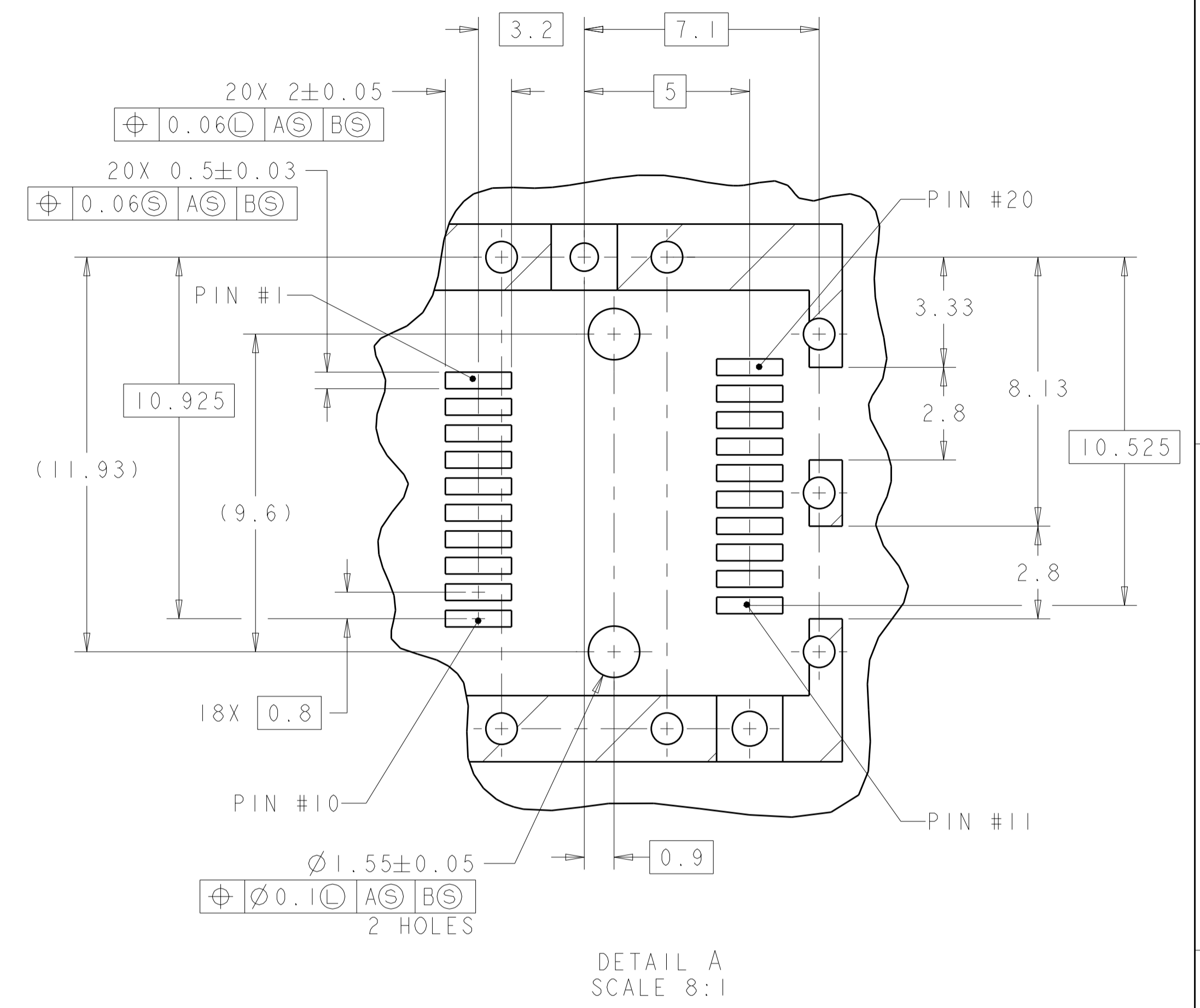
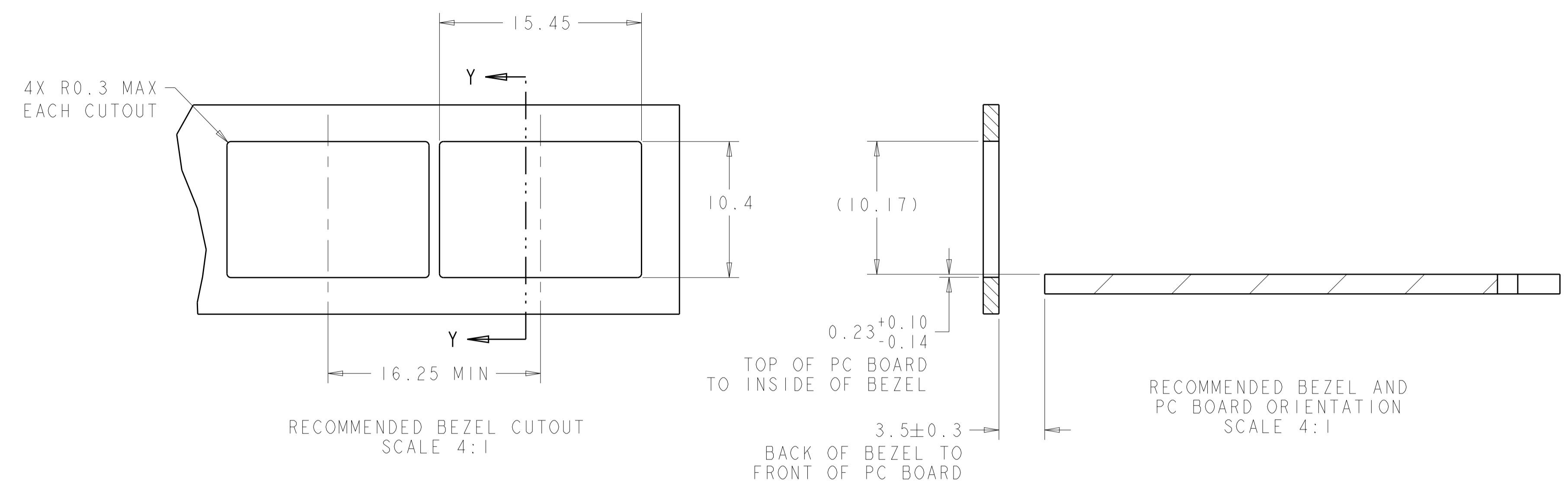
2007464-4 AS SHOWN WITH INSULATING TAPE



2007464-3 AS SHOWN WITHOUT INSULATING TAPE
 2007464-1,2 ALSO WITHOUT INSULATING TAPE

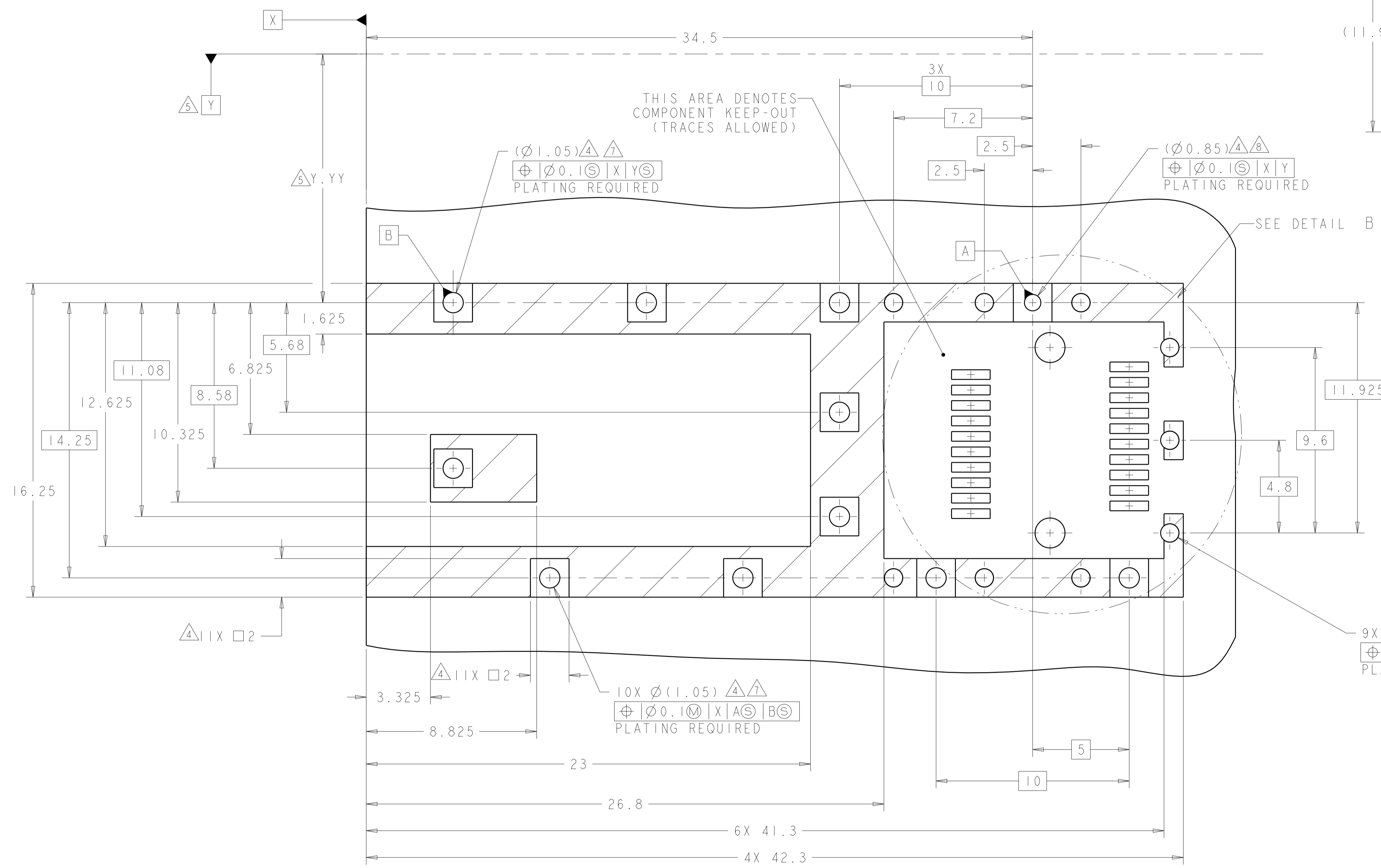
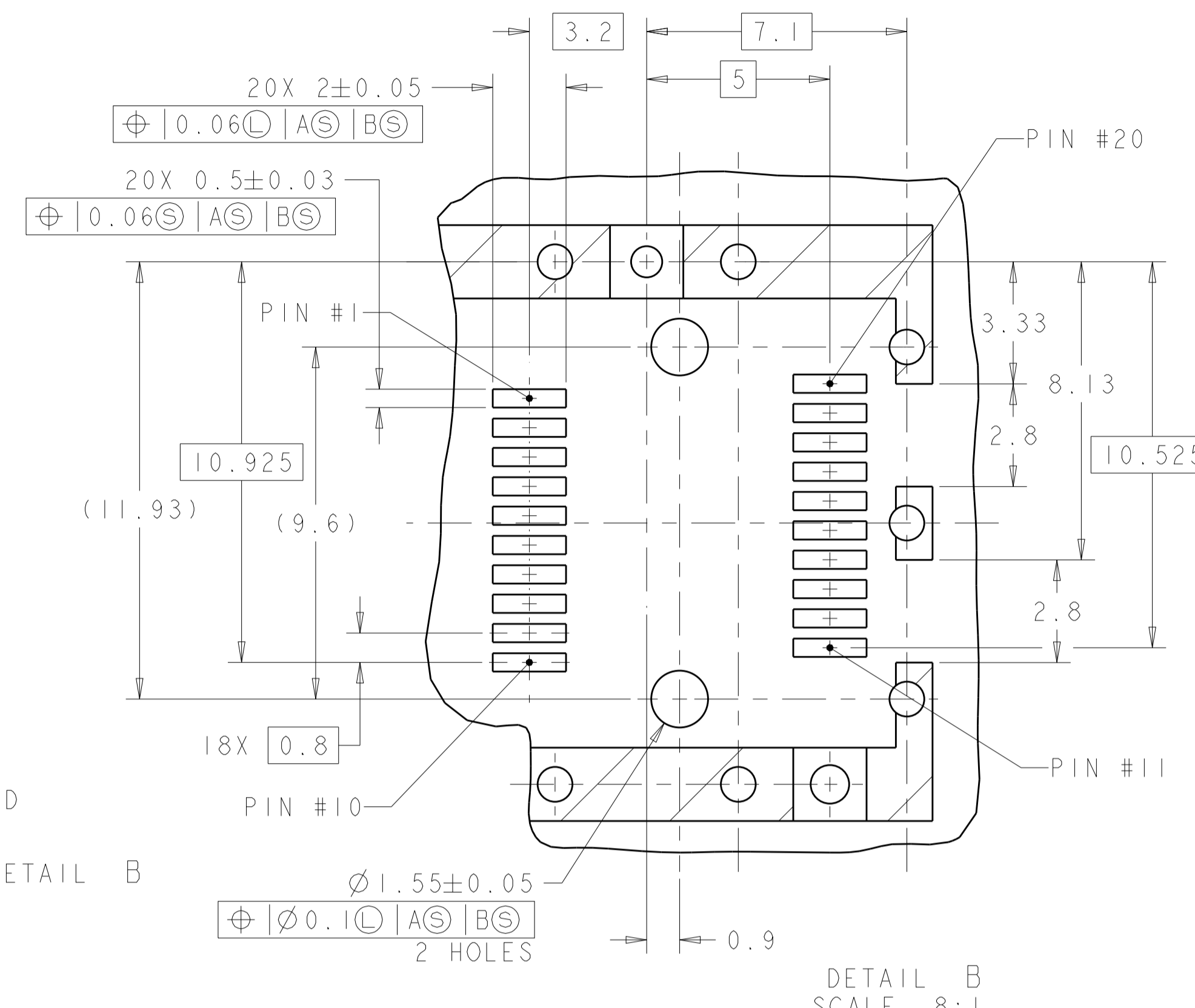
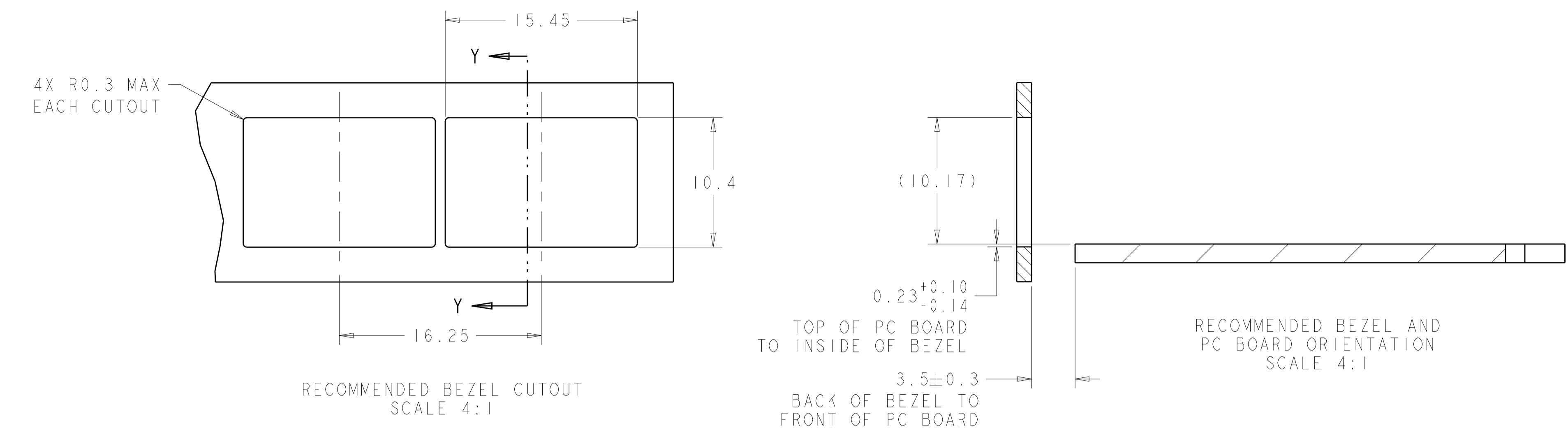
THIS DRAWING IS A CONTROLLED DOCUMENT.		DMN	Z.M.BEAM	20NOV2007	STE TE Connectivity
DIMENSIONS:		CHK	M.R.SCHMITZ	20NOV2007	
mm	TOLERANCES UNLESS OTHERWISE SPECIFIED:	APVD	R.H.WERTZ	20NOV2007	NAME SFP+ 1X1 CAGE ASSEMBLY, PRESS-FIT PRESS-FIT, EMI SPRINGS WITH HEATSINK
	0 PLC ±0.1	PRODUCT SPEC			
	1 PLC ±0.1	108-2364			SIZE CAGE CODE DRAWING NO RESTRICTED TO
	2 PLC ±0.1	APPLICATION SPEC			
	3 PLC ±0.05	114-13120			A100779C=2007464
	4 PLC ±0.05	WEIGHT			
	ANGLES ±0.05	Customer Drawing			SCALE 2 SHEET 2 OF 4 REV F
MATERIAL	FINISH				

LOC	DIST	REV	DESCRIPTION	DATE	OWN	APVD
GP	00		SEE SHEET 1			



THIS DRAWING IS A CONTROLLED DOCUMENT.		OWN: Z.M. BEAM	ZONOV2007	 TE Connectivity
DIMENSIONS: mm		CHK: M.B. SCHMITZ	ZONOV2007	
TOLERANCES UNLESS OTHERWISE SPECIFIED:		APVD: R.H. WERTZ	ZONOV2007	NAME: SFP+ IXI CAGE ASSEMBLY, PRESS-FIT PRESS-FIT, EMI SPRINGS WITH HEATSINK
0 PLC	±0.1	PRODUCT SPEC		SIZE: CAGE CODE DRAWING NO
1 PLC	±0.1	APPLICATION SPEC		RESTRICTED TO
2 PLC	±0.1	114-13120		A100779C=2007464
3 PLC	±0.1	WEIGHT		SCALE 2 SHEET 3 OF 4 REV F
4 PLC	±0.05	Customer Drawing		
ANGLES	±0.05			
MATERIAL	FINISH			

LOC	DIST	REV	DATE	APPD	APVD
GP	00				
P LTH		DESCRIPTION		DATE	OWN
		SEE SHEET 1			



RECOMMENDED PCB LAYOUT FOR WITH INSULATING TAPE PART SCALE 8:1

THIS DRAWING IS A CONTROLLED DOCUMENT.		OWN Z.M.BEAM 20NOV2007	TE Connectivity
DIMENSIONS: mm		CHK M.R.SCHMITZ 20NOV2007	
TOLERANCES UNLESS OTHERWISE SPECIFIED:		APPD B.H.WERTZ 20NOV2007	NAME SFP+ IXI CAGE ASSEMBLY, PRESS-FIT PRESS-FIT, EMI SPRINGS WITH HEATSINK
0 PLC ±0.1		PRODUCT SPEC 108-2364	SIZE CAGE CODE DRAWING NO RESTRICTED TO
1 PLC ±0.1		APPLICATION SPEC 114-13120	A100779C=2007464
2 PLC ±0.1		WEIGHT	SCALE 2 SHEET 4 OF 4 REV F
3 PLC ±0.05		Customer Drawing	
4 PLC ±0.05			
ANGLES ±0.05			
FINISH			