

4

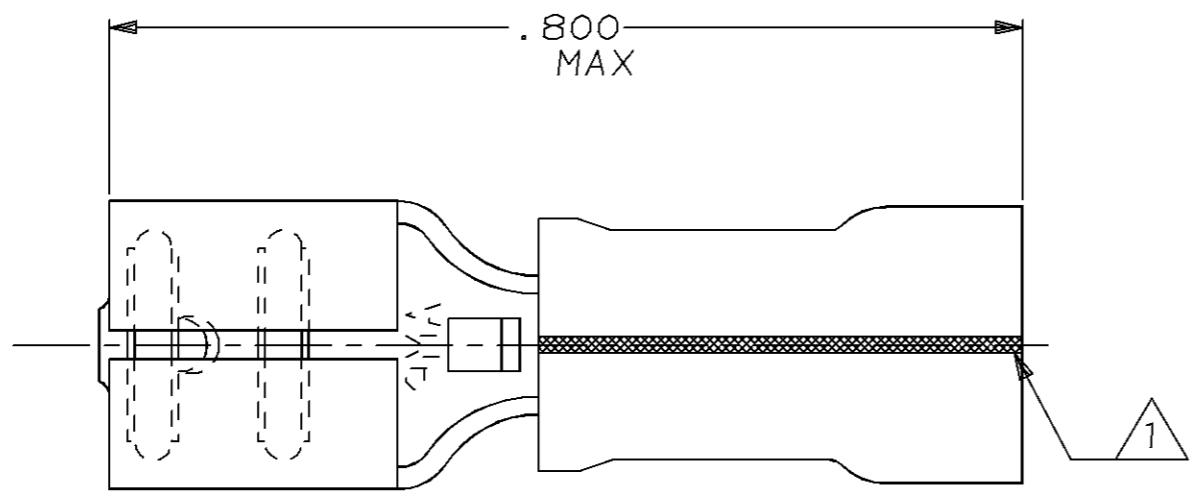
3

2

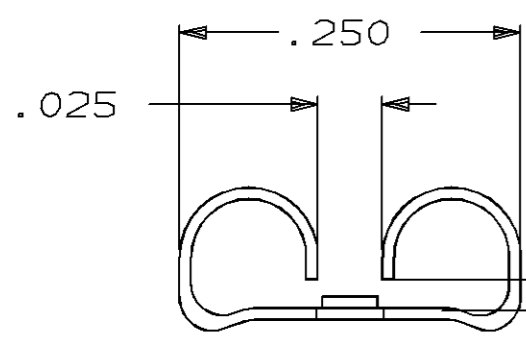
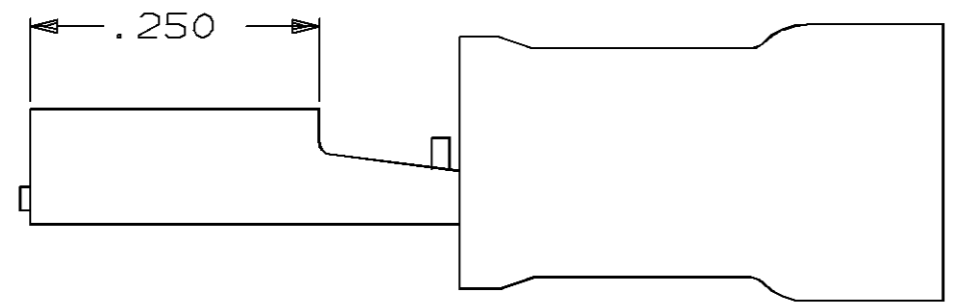
1

THIS DRAWING IS UNPUBLISHED. RELEASED FOR PUBLICATION ,19 .  
 © COPYRIGHT 19 BY AMP INCORPORATED. ALL RIGHTS RESERVED.

LOC	DIST	REVISIONS			
P	LTR	DESCRIPTION	DATE	DWN	APVD
G	14	H	REDRAWN PER 0720-0244-93	24APR96	LO ME



- ① 3 BLACK STRIPES (120° APART) ON SLEEVE WILL BE POSITIONED AT ANY LOCATION WHEN ASSEMBLED TO BODY
- 2. INSULATION RANGE .135 MAX
- 3. TAB THK .020±.001



FITS "205" SERIES FASTON TAB  
 REFER TO CP-15466 FOR DETAILS

-	LOOSE PIECE	640174-1
QTY	PACKAGE TYPE	PART NO

**AMP INCORPORATED**  
**CUSTOMER SERVICE SYSTEM**

FOR ADDITIONAL PRODUCT INFORMATION OR COPIES OF DRAWINGS AND TECHNICAL DOCUMENTS	PRODUCT INFORMATION CENTER 1-800-522-6752
FOR APPLICATION TOOLING INFORMATION	TOOLING ASSISTANCE CENTER 1-800-722-1111
FOR ORDER ENTRY	1-800-526-5142

MAX RECOMMENDED OPERATING TEMPERATURE:  
-

VOLTAGE RATING:  
-

CIRCULAR MIL AREA:  
-

THIS DRAWING IS A CONTROLLED DOCUMENT FOR AMP INCORPORATED. IT IS SUBJECT TO CHANGE AND THE CONTROLLING ENGINEERING ORGANIZATION SHOULD BE CONTACTED FOR THE LATEST REVISION.

DIMENSIONS:	TOLERANCES UNLESS OTHERWISE SPECIFIED.
mm [in]	
	0 PLC ±-
	1 PLC ±-
	2 PLC ±0.38 [.015]
	3 PLC ±-
	4 PLC ±-
ANGLES	±-
MATERIAL	FINISH
BODY, BRASS .016	BODY, TIN
SLV, NYLON, COLOR, RED	-

DWN	L OLMEDA	26JUN95
CHK	M ELLIS	26JUN95
APVD	B BARE	26JUN95
PRODUCT SPEC	-	-
APPLICATION SPEC	-	-
WEIGHT	-	-
CUSTOMER DRAWING		

**AMP** AMP Incorporated  
 Harrisburg, PA 17105-3608

NAME RECEPTACLE, 205 SERIES,  
 FASTON™, PIDG™,  
 WIRE SIZE, 22-18 AWG

SIZE	CAGE CODE	DRAWING NO
A3	00779	C-640174
SCALE	SHEET	REV
NTS	1 OF 1	H