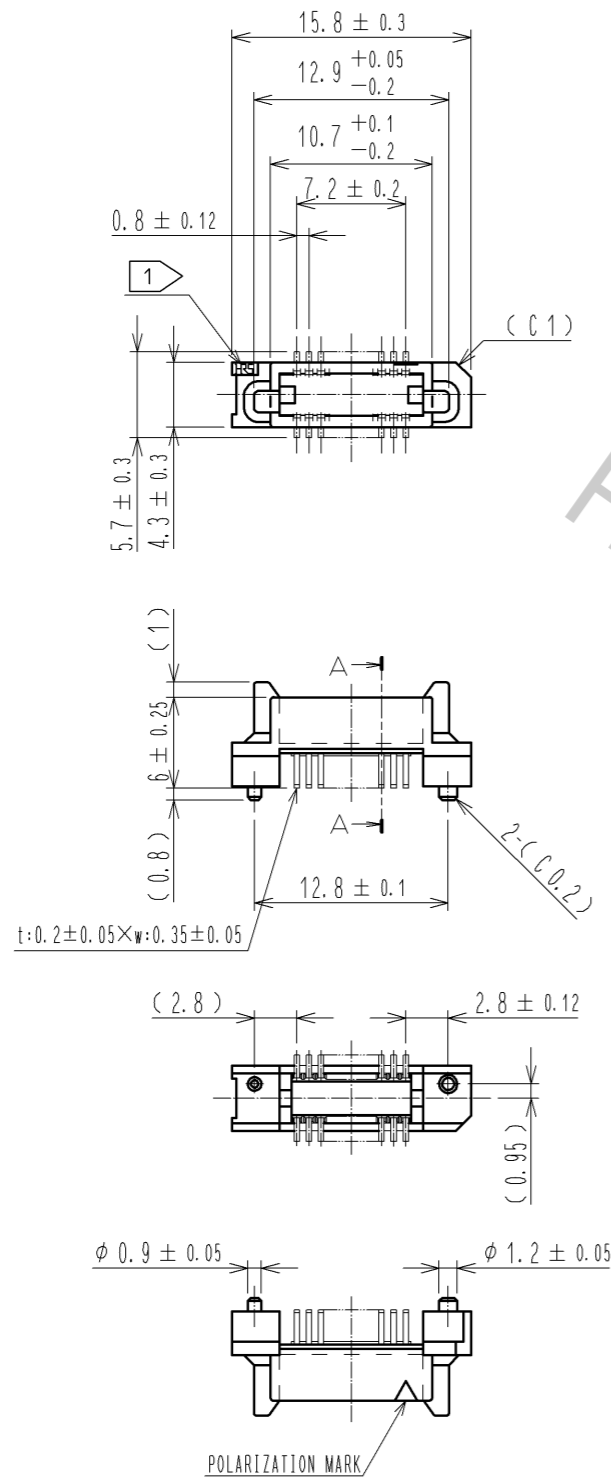
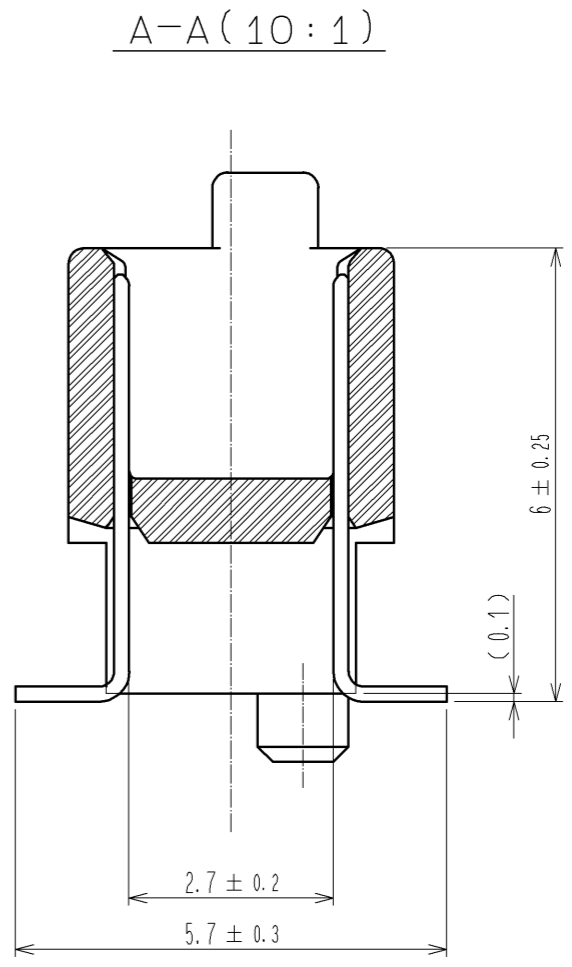
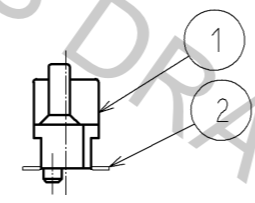
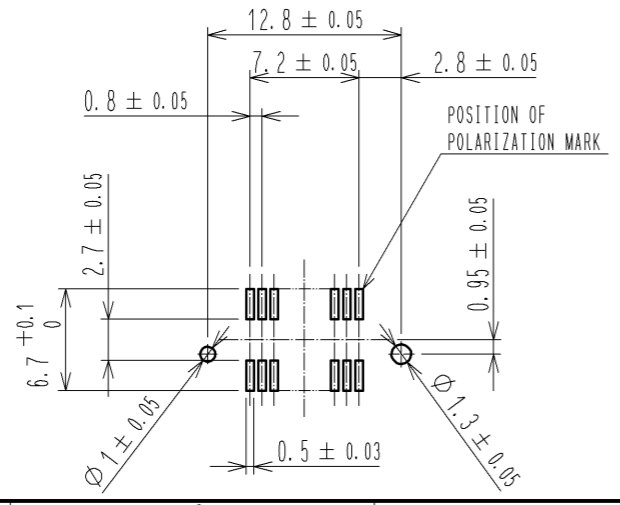


Apr.1.2017 Copyright 2017 HIROSE ELECTRIC CO., LTD. All Rights Reserved.

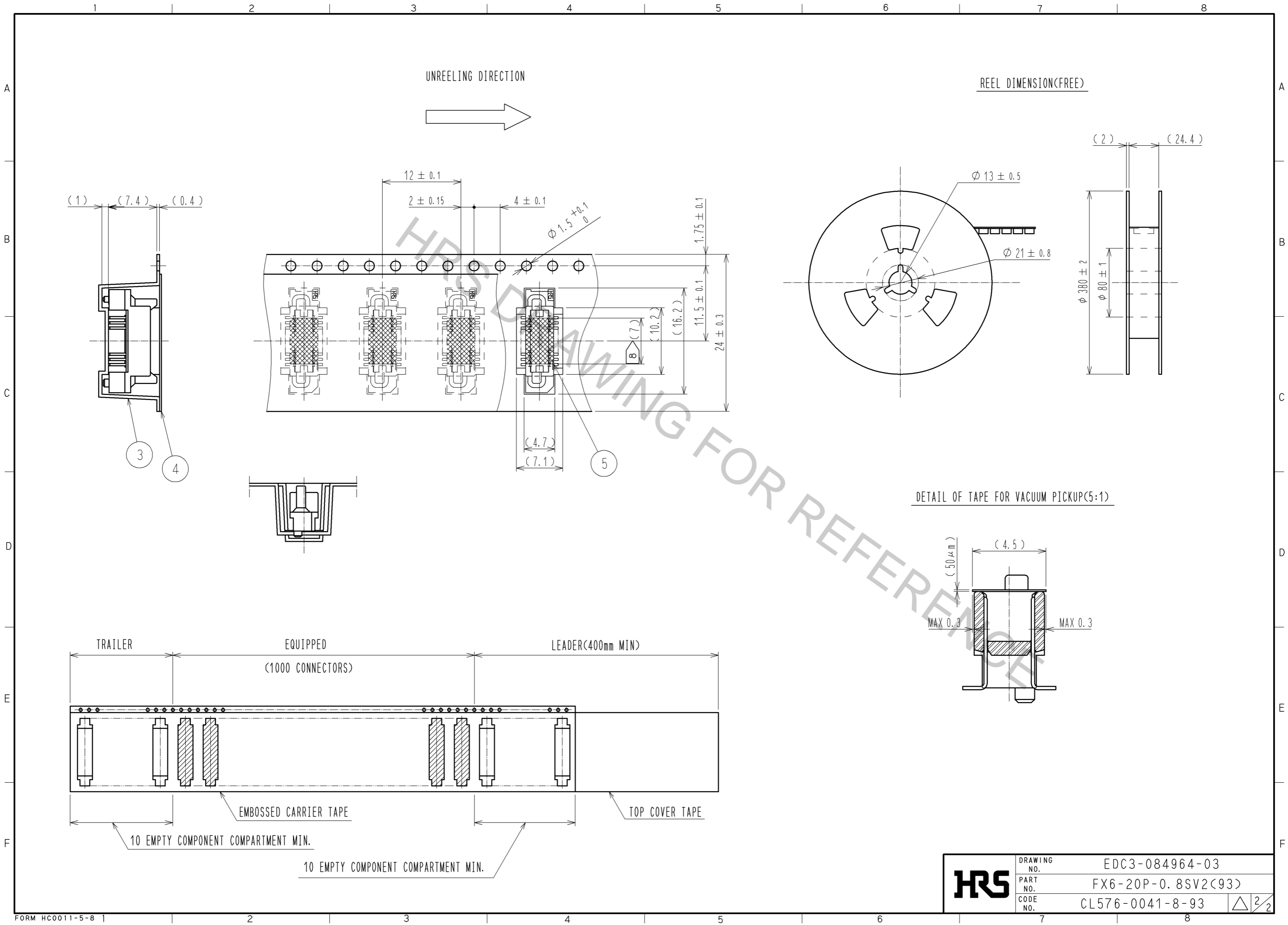


RECOMMENDED LAND PATTERN DIMENSION OF PCB (MOUNTING SIDE)



- NOTE
- 1 HRS MARK SHALL BE OPTIONAL.
  - 2 LEAD CO-PLANARITY SHALL BE 0.1mm MAX.
  - 3 EMBOSSED CARRIER TAPE PACKAGING SHALL BE APPLIED TO THIS PRODUCT. SEE NEXT PAGE FOR DETAILS.
  - 4 THIS PRODUCT HAS TAPE FOR VACUUM PICKUP. SEE NEXT PAGE FOR DETAIL OF STICKING POSITION, ETC.
  - 5 FOR MODIFICATION, ETC. PREVENTIVE HOLE FOR SINK MARK MAY BE ADDED ACCORDING TO CIRCUMSTANCES.
  - 6 THE DIMENSIONS IN PARENTHESES ARE FOR REFERENCE.
  - 7 1 REEL : 1000 CONNECTORS.
  - 8 REMOVE THE VACUUM PICKUP TAPE AFTER MOUNTING THE CONNECTOR.

2	PHOSPHOR BRONZE	CONTACT AREA:GOLD 0.1μm min.	5	POLYIMIDE	(TAPE FOR VACUUM PICKUP)			
		LEAD AREA:TIN-PLATING 1μm min.		4	POLYESTER	(COVER TAPE)		
1	PPS	UNDER PLATING:NICKEL 1μm min.	3	POLYSTYRENE	(EMBOSSED CARRIER TAPE)			
		LIGHT BROWN (UL94V-0)						
NO.	MATERIAL	FINISH . REMARKS	NO.	MATERIAL	FINISH . REMARKS			
UNITS mm		SCALE 2 : 1	COUNT △	DESCRIPTION OF REVISIONS		DESIGNED	CHECKED	DATE
<b>HRS</b> HIROSE ELECTRIC CO., LTD.		APPROVED : HS. OKAWA	13.08.21	DRAWING NO. EDC3-084964-03				
		CHECKED : HT. YAMAGUCHI	13.08.21	PART NO. FX6-20P-0.8SV2(93)				
		DESIGNED : TH. SANO	13.08.21	CODE NO. CL576-0041-8-93				
		DRAWN : TH. SANO	13.08.21					



<b>HRS</b>	DRAWING NO.	EDC3-084964-03
	PART NO.	FX6-20P-0.8SV2(93)
	CODE NO.	CL576-0041-8-93
		△ 2/2