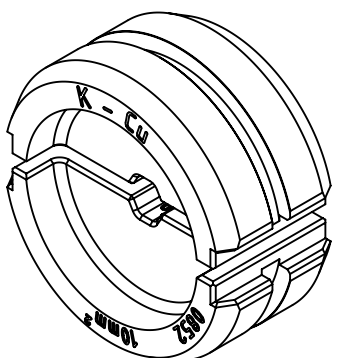
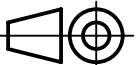



Scope of delivery 2 crimp dies



 All Dimensions in mm Original Size DIN A4	Scale	Free size tol.			Ref.
	2:1				Sub.
 All rights reserved Department EL PD - DE	Created by	Inspected by	Standardisation	Date	State
	HOLLERT	RIEPE	RUETERA	2017-05-15	Final Release
HARTING Electric GmbH & Co. KG D-32339 Espelkamp	Title				Doc-Key / ECM-Nr.
	Crimp die 10mm <sup>2</sup> for 60 kN tool				100572246/UGD/002/C 500000119344
Type		Number		Rev.	Page
TB		09 99 000 0852		C	1/1