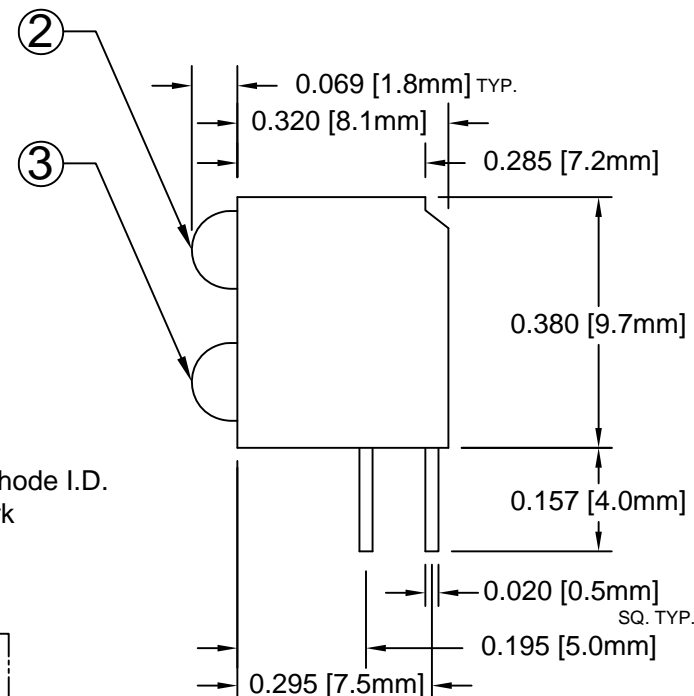
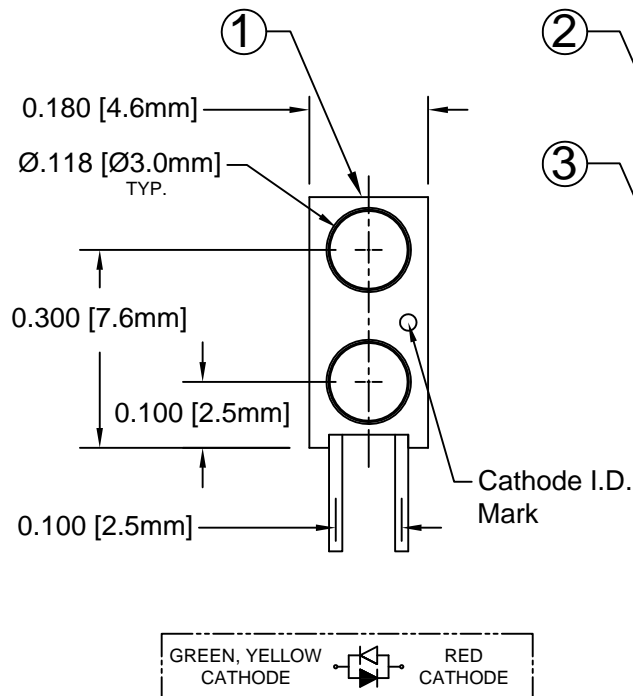
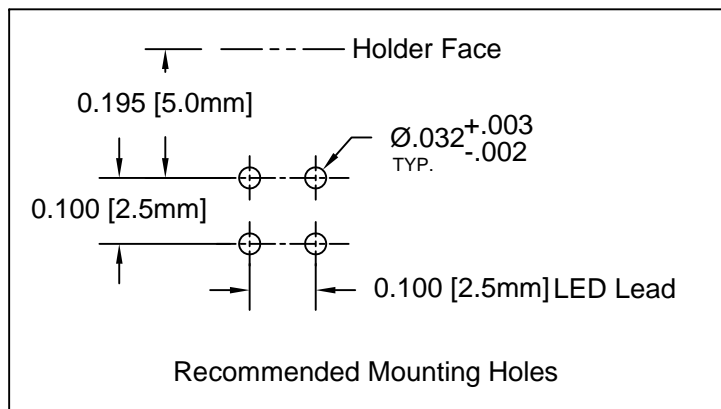


ITEM	Q'TY	PART NUMBER	PART DESCRIPTION
1	1	H-201C	T-1 (3mm) Bi-Level LED Holder, 90° Mount
2	1	3BC	T-1 (3mm) N-Flange Bi-Color LED
3	1	3BC-R/Y	T-1 (3mm) N-Flange Bi-Color LED

REV.	DESCRIPTION	DATE	APPROVED
A	Engineering Release	04/30/02	M. C.
B	Corrected Item 2 from 3BC-R/Y to 3BC Drawing Updated	08/23/04	M. C.
C	Specification Correction	10/21/05	M. C.
D	Engineering Update w/o Changes	06/21/16	J. C.



LED Part No.	Chip			Lens Appearance	Absolute Max. Ratings				Electro-Optical Data @ 20mA			Viewing Angle 2 $\theta_{1/2}$ (Deg)
	Material	Peak Wave Length $\lambda_p$ (nm)	Emitted Color		$\Delta\lambda$ (nm)	Pd (mW)	If (mA)	Peak If (mA)	Vf (V)		Iv (mcd)	
									TYP	MAX	TYP	
3BC	GaAsP/GaP	635	HE RED	WHITE DIFFUSED	45	80	30	150	2.0	2.6	30	45
	GaP/GaP	568	GREEN		30	80	30	150	2.2	2.6	30	
3BC-R/Y	GaAsP/GaP	635	HE RED	WHITE DIFFUSED	45	80	30	150	2.0	2.6	30	45
	GaAsP/GaP	585	YELLOW		35	80	30	150	2.1	2.6	15	

## ABSOLUTE MAXIMUM RATINGS (Ta = 25°C)

REVERSE VOLTAGE \_\_\_\_\_ 5V

REVERSE CURRENT (VR=5V) \_\_\_\_\_ 100 $\mu$ A

OPERATING TEMPERATURE RANGE \_\_\_\_\_ -25°C ~ 85°C

STORAGE TEMPERATURE \_\_\_\_\_ -30°C ~ 100°C

LEAD SOLDERING TEMPERATURE (1/16" FROM BODY) \_\_\_\_\_ 260°C for 5 Seconds

STANDARD TOLERANCE (UNLESS OTHERWISE SPECIFIED)		 4 THOMAS, IRVINE, CA. 92618 TEL: (949) 951-8808 FAX: (949) 951-3974	
DECIMALS	ANGULAR		
.X $\pm .1$	X° $\pm 1^\circ$	 <b>TITLE:</b> T-1 (3MM) BI-COLOR 90° BI-LEVEL LED ASSY	
.XX $\pm .02$			
.XXX $\pm .010$		<b>PART NO:</b> H201CBCBC-R/Y <b>CAGE CODE :</b> 32559 <b>SHEET #</b> 1 OF 1	
DESIGNED: <b>S. Irving</b>	DATE: <b>04/30/02</b>	<b>REVISION:</b> D	
CHECKED: <b>M. Chen</b>	DATE: <b>04/30/02</b>	CAD GENERATED DOCUMENT. DO NOT MEASURE DRAWING.	