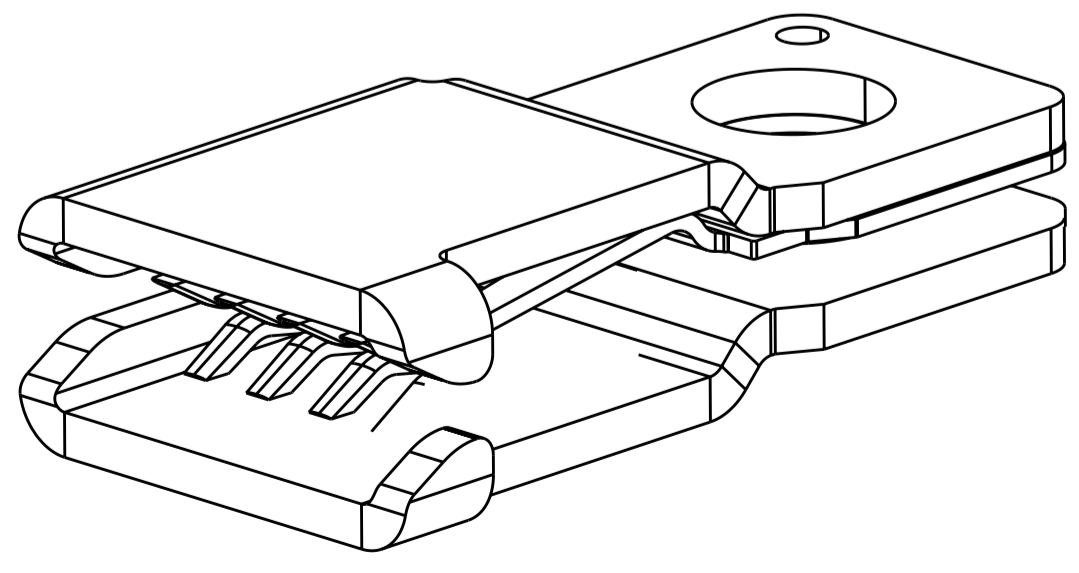
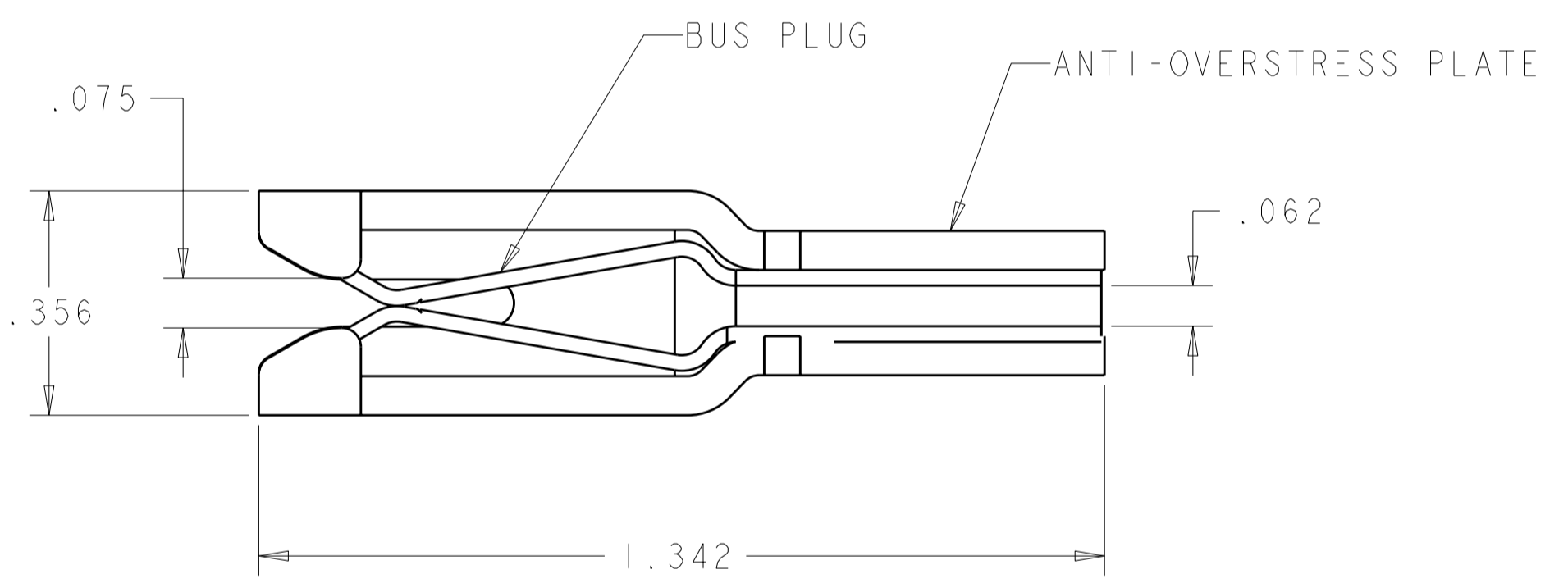
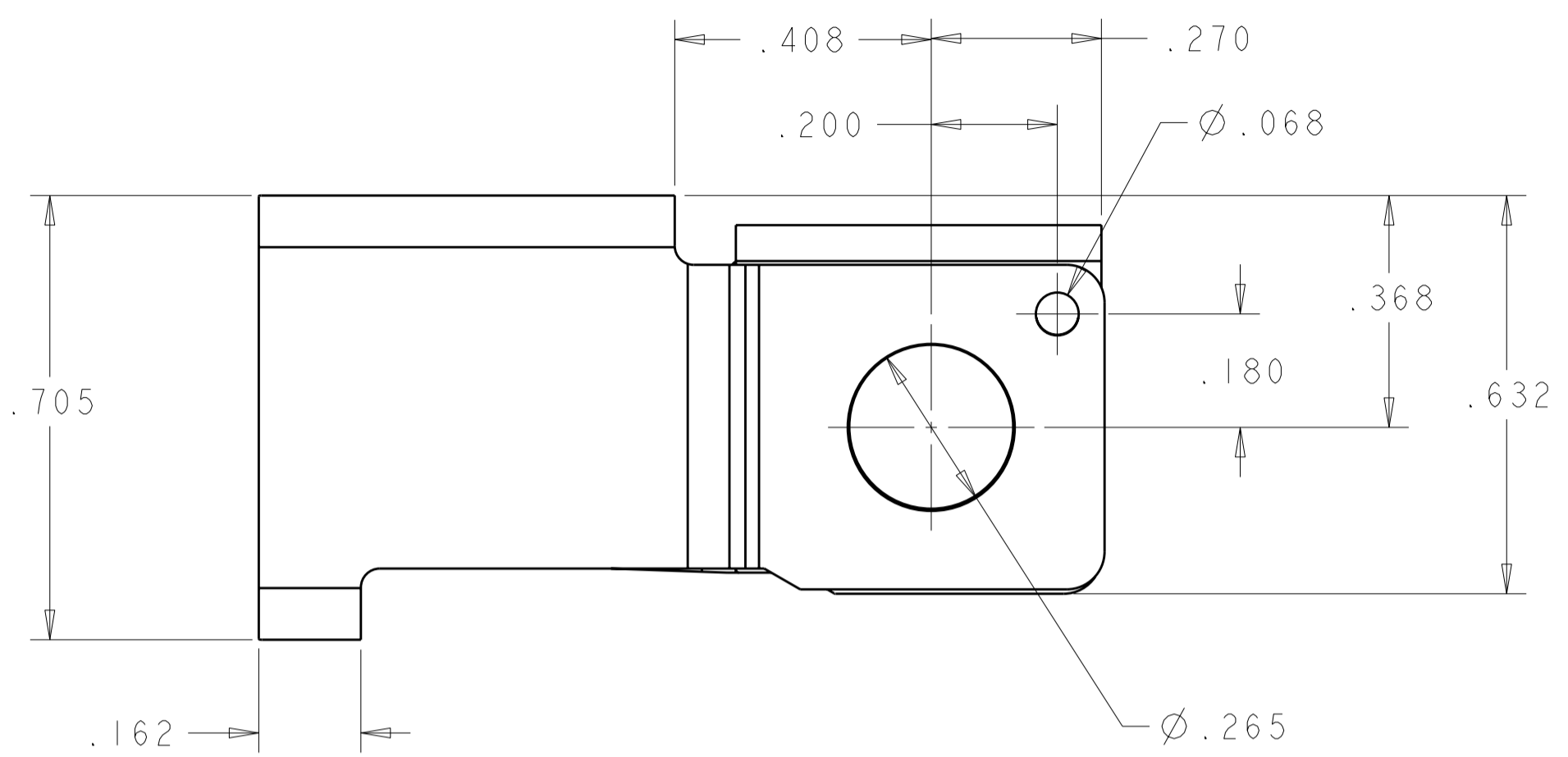


THIS DRAWING IS UNPUBLISHED. RELEASED FOR PUBLICATION 20  
 © COPYRIGHT 20 ALL RIGHTS RESERVED.

REVISIONS							
LOC	DIST	P	LTR	DESCRIPTION	DATE	DWN	APVD
GP	00		HI	REVISED PER ECO-11-005301	20APR2011	RK	HMR



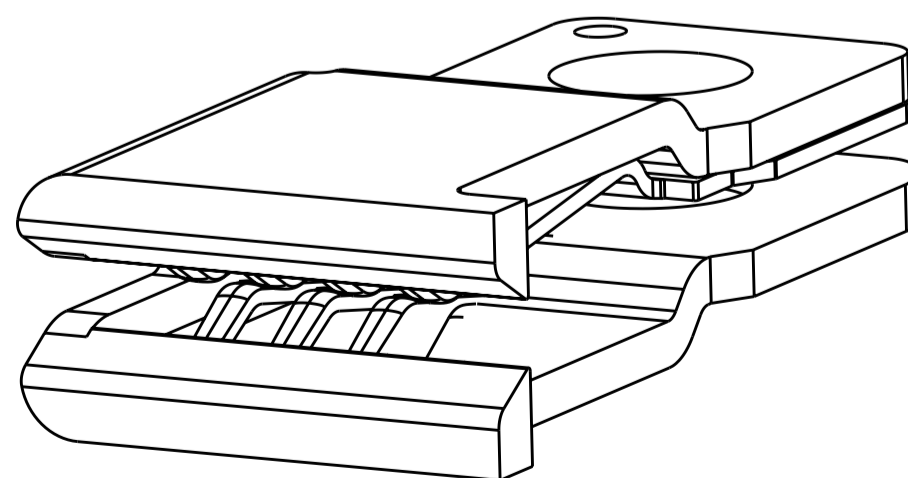
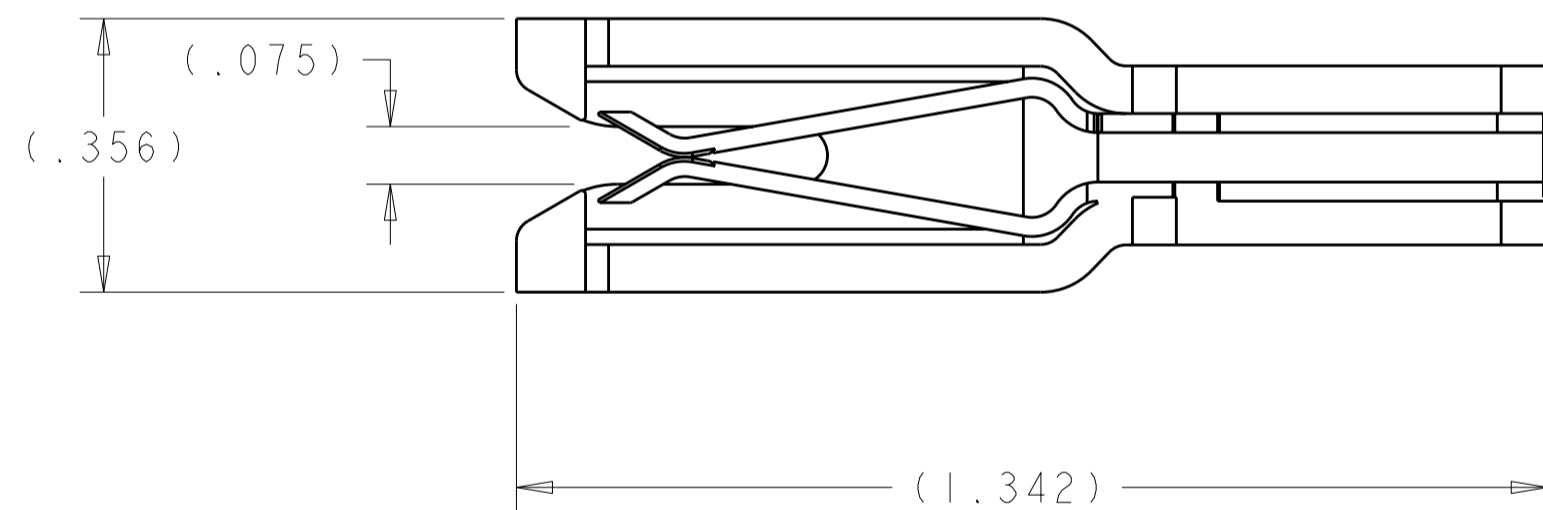
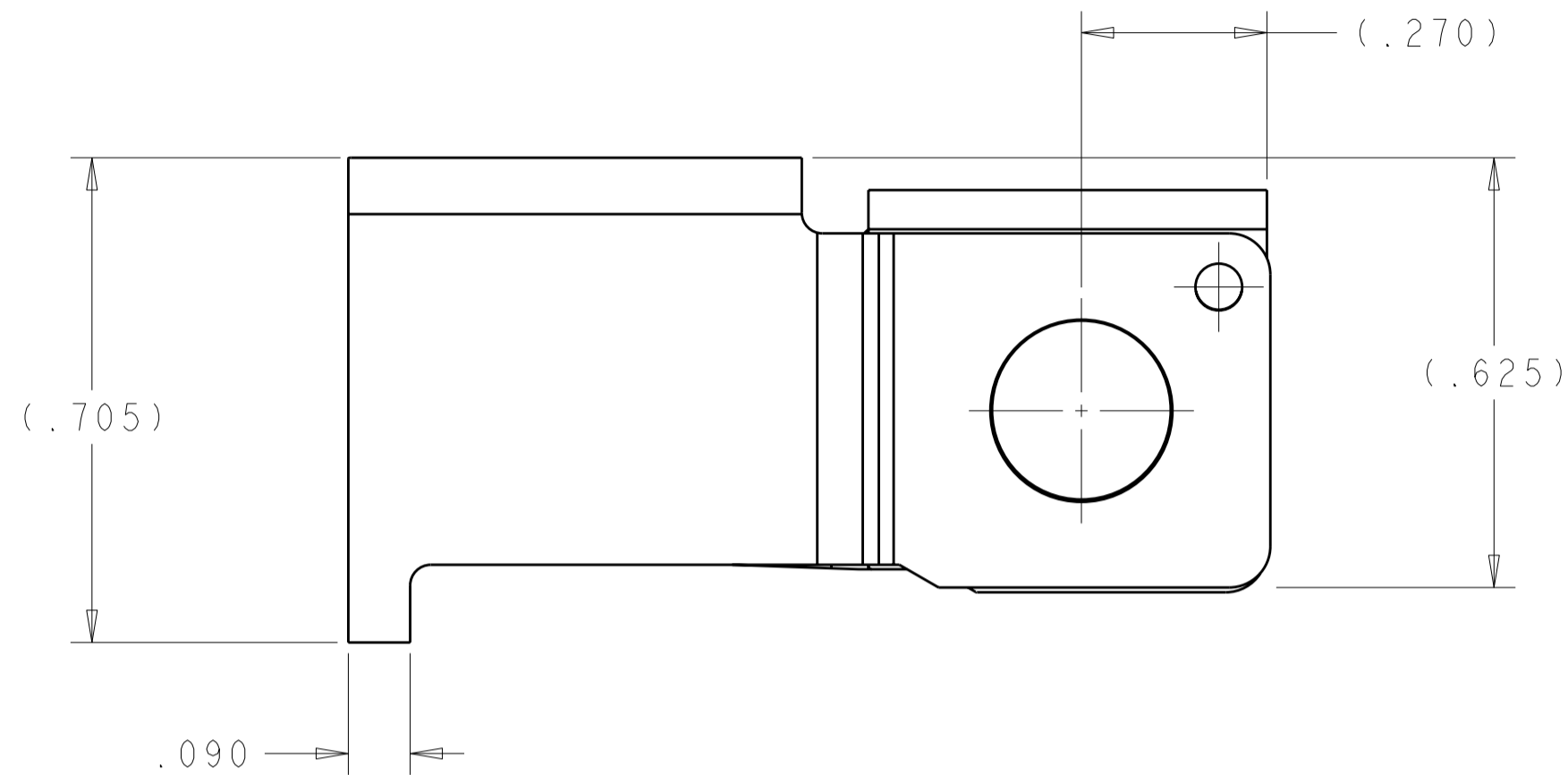
- COMPONENTS UNASSEMBLED IN A SEALED POLY BAG.
- MATERIAL:  
ANTI-OVERSTRESS PLATE - STAINLESS STEEL  
BUS PLUG - COPPER ALLOY
- FINISH:  
SILVER PLATE .000250 MIN THK. OVER  
NICKEL .000050 MIN THK.
- MATERIAL:  
ANTI-OVERSTRESS PLATE - PEI, 30% GLASS FILLED, UL94V-0  
BUS PLUG - COPPER ALLOY
- ITEMS PROVIDED TO THIS SPECIFICATION TO BE PERMANENTLY IDENTIFIED ON THE CONTAINER PER THE FOLLOWING IDENTIFIER LABEL:

TE CONNECTIVITY P/N: XXXXXXXX-X  
 DATE CODE (e.g. 0106): YEAR 1 WEEK 1  
 XXXX

THIS DRAWING IS A CONTROLLED DOCUMENT.		DWN: R. GRZYBOWSKI 08FEB2008	DESCRIPTION: AMP PDS .062F2 SERIES W/ GUIDE	
DIMENSIONS: INCHES		CHK: A. FRANTUM 08FEB2008	PART NUMBER: 104742-1	
TOLERANCES UNLESS OTHERWISE SPECIFIED:		APVD: S. FLICKINGER 08FEB2008	TE Connectivity	
0 PLC ±	1 PLC ±	PRODUCT SPEC	NAME: AMP PDS .062F2 SERIES W/ GUIDE	
2 PLC ±	3 PLC ±.015	APPLICATION SPEC	SIZE: A2	CAGE CODE: 00779
4 PLC ±	ANGLES ±	WEIGHT: -	DRAWING NO: C-104742	RESTRICTED TO: -
MATERIAL: -	FINISH: -	CUSTOMER DRAWING	SCALE: 4:1	SHEET 1 OF 2 REV. HI

THIS DRAWING IS UNPUBLISHED. RELEASED FOR PUBLICATION 20  
 © COPYRIGHT 20 ALL RIGHTS RESERVED.

LOC	DIST	REVISIONS					
GP	00	P	LTR	DESCRIPTION	DATE	DWN	APVD
		-		SEE SHEET 1			



THIS DRAWING IS A CONTROLLED DOCUMENT.		DWN 08FEB2008 R. GRZYBOWSKI	3 4 104742-2	
DIMENSIONS: INCHES		CHK 08FEB2008 A. FRANTUM	DESCRIPTION PART NUMBER	
TOLERANCES UNLESS OTHERWISE SPECIFIED:		APVD 08FEB2008 S. FLICKINGER	STE TE Connectivity	
0 PLC ± 1 PLC ± 2 PLC ± 3 PLC ±.015 4 PLC ±		PRODUCT SPEC -	AMP PDS .062F2 SERIES W/ GUIDE	
ANGLES ± FINISH		APPLICATION SPEC -	SIZE A200779	DRAWING NO C-104742
MATERIAL -		WEIGHT -	RESTRICTED TO -	
		CUSTOMER DRAWING	SCALE 4:1	SHEET 2 OF 2 REV. HI