

MODEL:

# SRWF12U38

## SmartRack® Low-Profile Wall-Mount Rack Enclosure Cabinet



12 Rack Units



400 lb.  
Load Rating



Sturdy Steel  
Construction



Locking  
Top Cover



Accommodates  
Standard 19-inch  
Equipment



4U of Horizontal Rack  
Space for Patch Panels



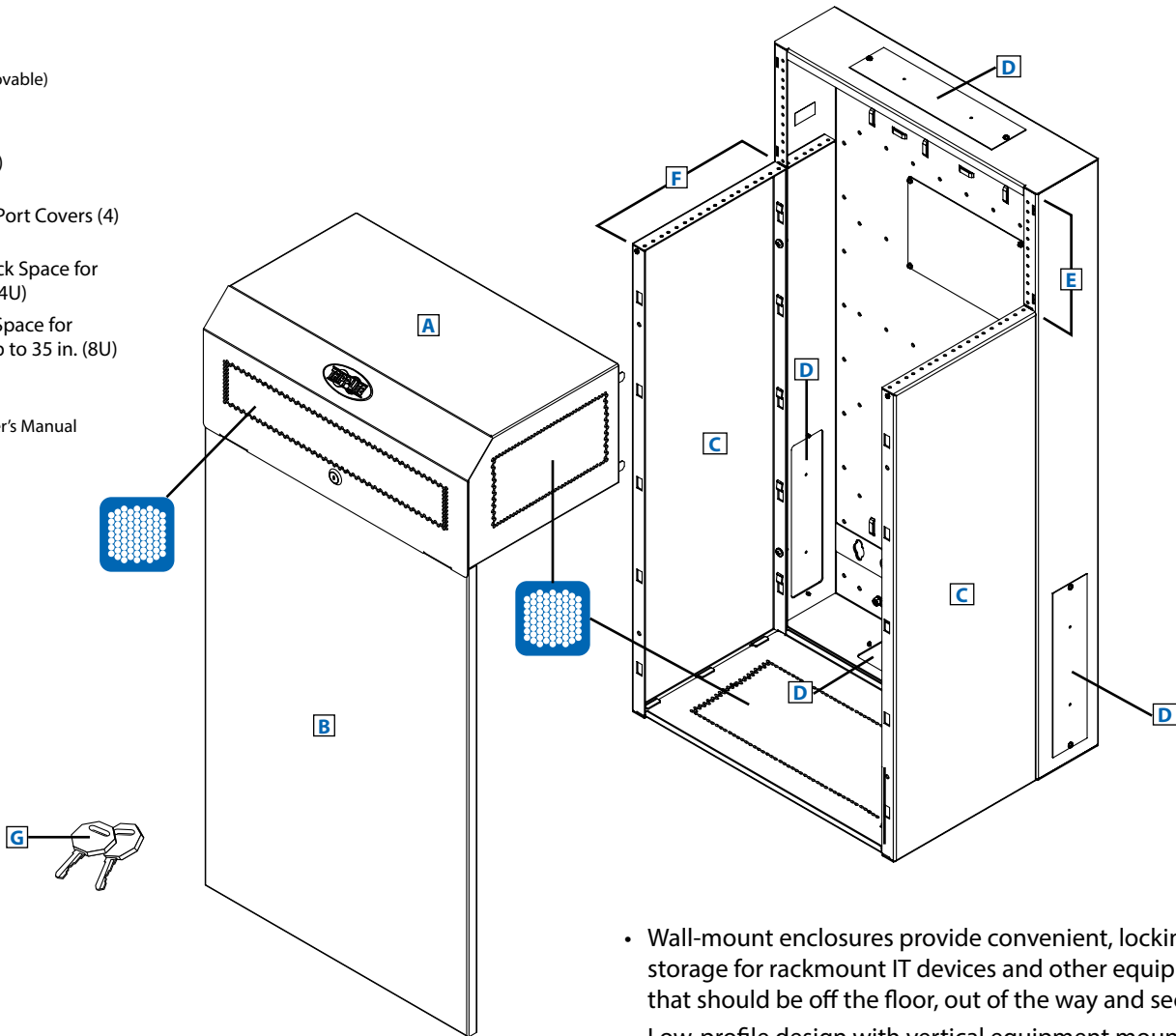
Convenient  
Cable Access



Ventilated for  
Ample Airflow

- A** Top Cover  
(Lockable/Removable)
- B** Front Panel  
(Removable)
- C** Side Panels (2)  
(Removable)
- D** Cable Access Port Covers (4)  
(Removable)
- E** Horizontal Rack Space for  
Patch Panels (4U)
- F** Vertical Rack Space for  
Equipment Up to 35 in. (8U)
- G** Keys (2)

Also Includes: Owner's Manual



- Wall-mount enclosures provide convenient, locking storage for rackmount IT devices and other equipment that should be off the floor, out of the way and secure
- Low-profile design with vertical equipment mounting is ideal for back office or network closet applications where space is limited
- 4U of horizontal space at the top of the unit accommodates patch panels up to 2.5 inches deep

**SEE NEXT PAGE FOR DETAILED UNIT MEASUREMENTS**

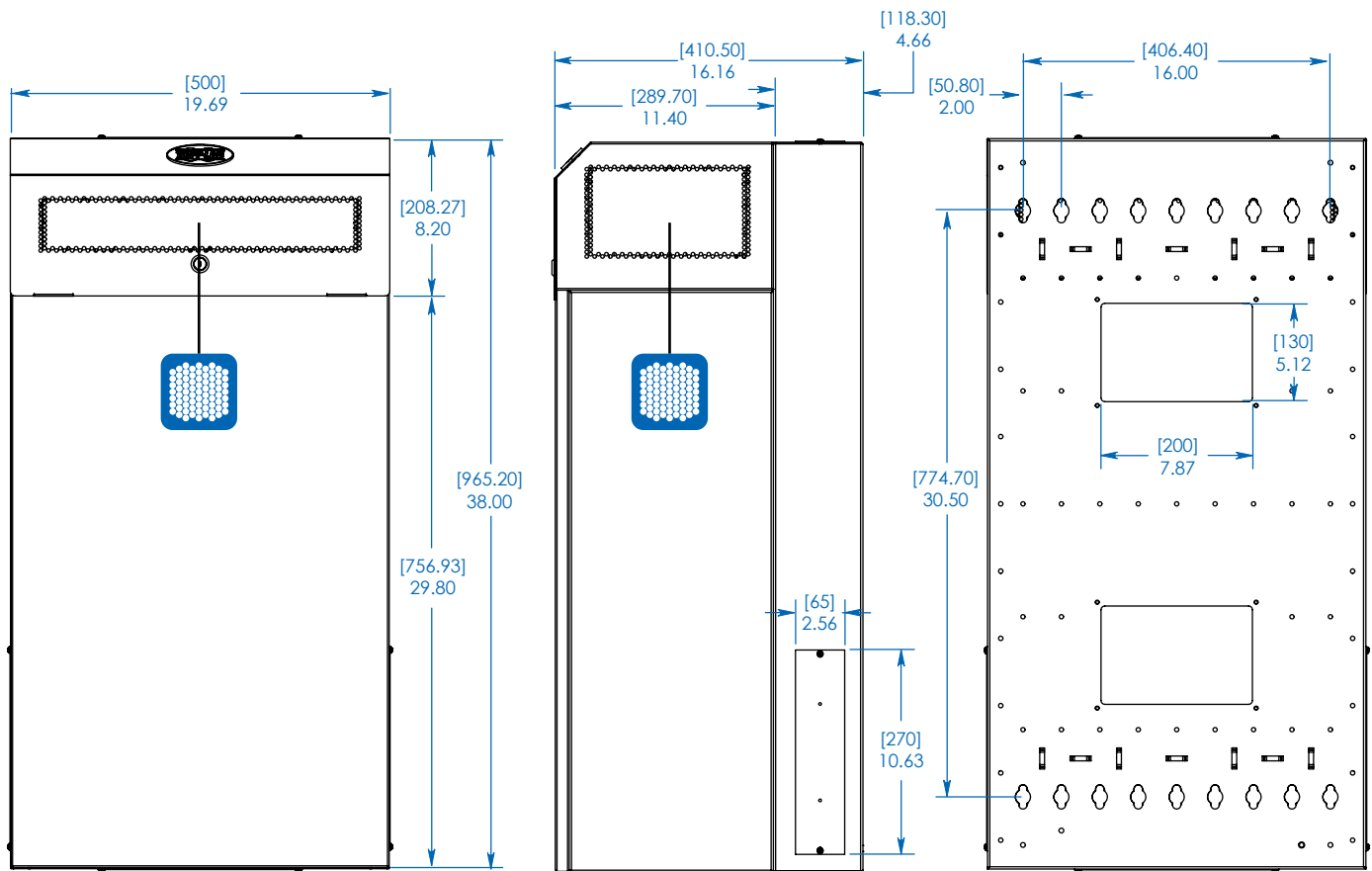
### Specifications

Model	SRWF12U38
Rack Spaces	12U
Equipment Mounting Depth	Up to 35 in. (889 mm)
Load Rating*	400 lb. (181 kg)
Unit Dimensions (H x W x D)	38 x 19.69 x 16.16 in. / 965.2 x 500 x 410.5 mm
Shipping Dimensions (H x W x D)	42.92 x 22.44 x 18.89 in. / 1090 x 570 x 480 mm
Unit Weight	66.8 lb. / 30.3 kg
Shipping Weight	98 lb. / 44.45 kg
Standards	EIA-310-E, NOM, GOST, RoHS, PCI-DSS

\* The load rating includes the combined weight of the unit and installed equipment. The unit must be mounted to a stable surface with user-supplied anchors capable of bearing the full load.



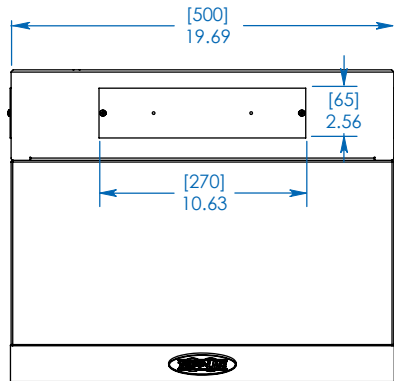
1111 W. 35th Street  
Chicago, IL 60609 USA  
773.869.1234  
www.tripplite.com



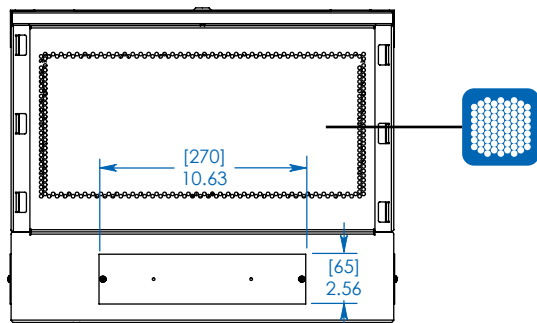
FRONT VIEW

SIDE VIEW

REAR VIEW



TOP VIEW



BOTTOM VIEW

Dimensions: [mm] INCHES

Tripp Lite has a policy of continuous improvement. Specifications are subject to change without notice.

MODEL:  
**SRWF12U38**  
**TRIPP-LITE**

1111 W. 35th Street  
 Chicago, IL 60609 USA  
 773.869.1234

[www.tripplite.com](http://www.tripplite.com)