

molex SALES PACKAGING SPECIFICATION

LANGUAGE

JAPANESE
ENGLISH

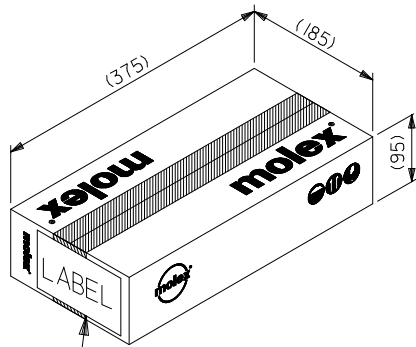
1. 製品名称／PRODUCT NAME : 0.5 FFC TO BOARD CONN. PLUG JACKET COVER
製品番号／PART NUMBER : 5 0 3 1 5 1 - 5 0 0 9

2. 標準梱包数／STANDARD PACKAGING QUANTITY

極 数 CKT. SIZE	ポリ袋 POLY BAG	内装カートン PRIMARY CARTON		外装カートン SHIPPING CARTON
	1袋中の製品数 QUANTITY IN ONE BAG	ポリ袋の数 NUMBER OF POLY BAG	製品数 QUANTITY	製品数(内装カートン×4) QUANTITY (PRIMARY CARTON X4)
50	500	8	4,000	16,000

REV.	A										
SHEET	1~2										
REVISE ON PC ONLY				TITLE: 5 0 3 1 5 1 - 5 0 0 9 梱包仕様書 SALES PACKAGING SPEC. FOR 503151-5009							
A	RELEASED J2014-0646 2013/10/11 T.NAKAGAWA			THIS DOCUMENT CONTAINS INFORMATION THAT IS PROPRIETARY TO MOLEX INC. AND SHOULD NOT BE USED WITHOUT WRITTEN PERMISSION							
	REV.	DESCRIPTION			WRITTEN BY: T.NAKAGAWA		CHECKED BY: T.HARUYAMA		APPROVED BY: H.HIRATA		DATE: YR/MO/DAY 2013/10/11
DESIGN CONTROL J				STATUS							
DOCUMENT NUMBER SPK-503151-001									FILE NAME SPK503151001.docx		SHEET 1 OF 2
EN-037(2013-04 rev.1)											

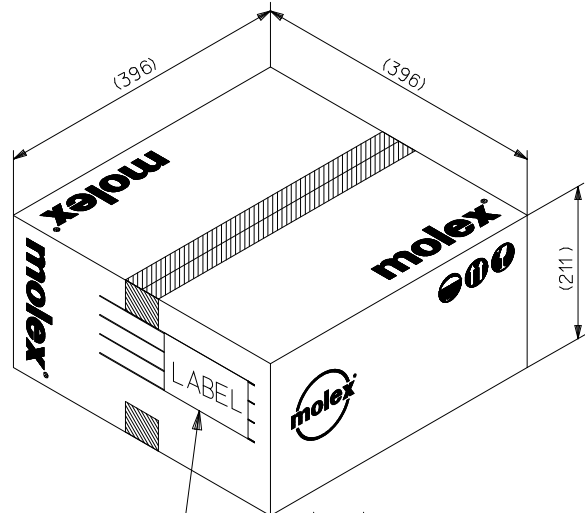
3. カートン外形参考寸法 / CARTON OUTER DIMENSIONS (REFERENCE PURPOSE ONLY) 単位 / UNIT: mm



カートンラベル
CARTON LABEL

(製品型番, 数量, ロットNO. 表示)
INDICATION OF PART No., QUANTITY, LOT No.

内装カートン
PRIMARY CARTON



カートンラベル
CARTON LABEL

(製品型番, 数量, ロットNO. 表示)
INDICATION OF PART No., QUANTITY, LOT No.

外装カートン
SHIPPING CARTON

REVISE ON PC ONLY		TITLE:	
A	SEE SHEET 1 OF 2	503151-5009 梱包仕様書 SALES PACKAGING SPEC. FOR 503151-5009	
	REV.	DESCRIPTION	THIS DOCUMENT CONTAINS INFORMATION THAT IS PROPRIETARY TO MOLEX INC. AND SHOULD NOT BE USED WITHOUT WRITTEN PERMISSION
DOCUMENT NUMBER SPK-503151-001		FILE NAME SPK503151001.docx	SHEET 2 OF 2
EN-037(2013-04 rev.1)			