

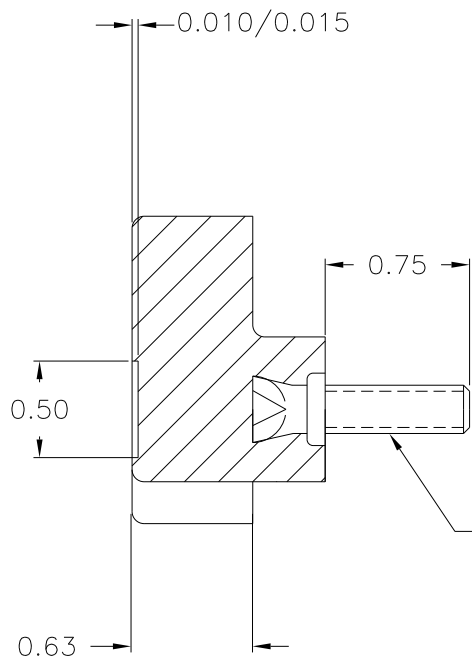
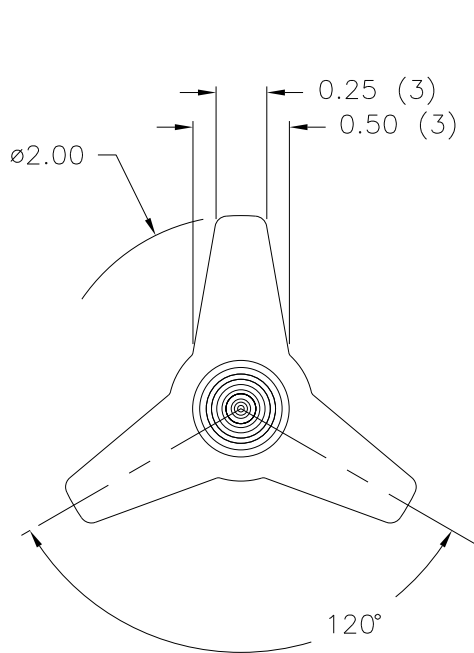
PART NAME: KNOB SCALE: 1:1 DATE: 7/12/79 DR. BY HD

THIS DRAWING IS THE PROPERTY OF DAVIES MOLDING COMPANY, IS SUBMITTED SOLELY AS A DESIGN OR ENGINEERING PROJECT. WE ACCEPT NO RESPONSIBILITY WHATSOEVER FOR THE PRACTICAL APPLICATION OF THE PIECES MADE TO THIS DESIGN.

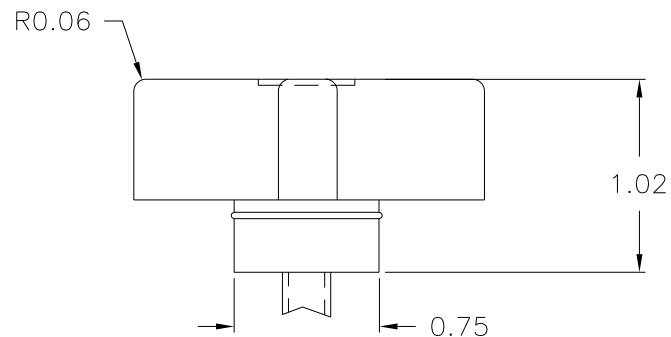


DESIGNERS & MANUFACTURERS OF KNOBS, HANDLES, CASES & CUSTOM PLASTIC COMPONENTS

P/N	3040EP
M NO.	3040
PINS	3000-H
SHIMS	2.250 +.250
PLUNGER PIN	3040-B
INSERT	10870



1/4-20 UNC-2A THREAD.
10870, #303, STAINLESS STEEL



MATERIAL: G.P. PHENOLIC (B11)
COLOR: BLACK

TOLERANCES: UNLESS OTHERWISE SPECIFIED	DO NOT SCALE DRAWING			
DECIMALS: X.XXX ± .005 X.XX ± .015	MM: X.XX ± 0.15MM X.X ± 0.4MM	-	CAD/REDRAWN	HD 3/6/98
FRACTIONS ± 1/64	ANG. ± 1°	CHANGES		