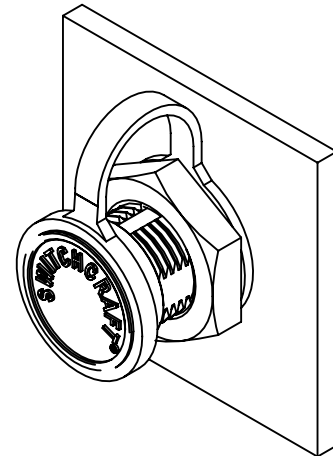
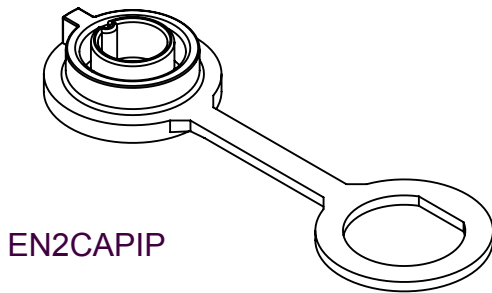
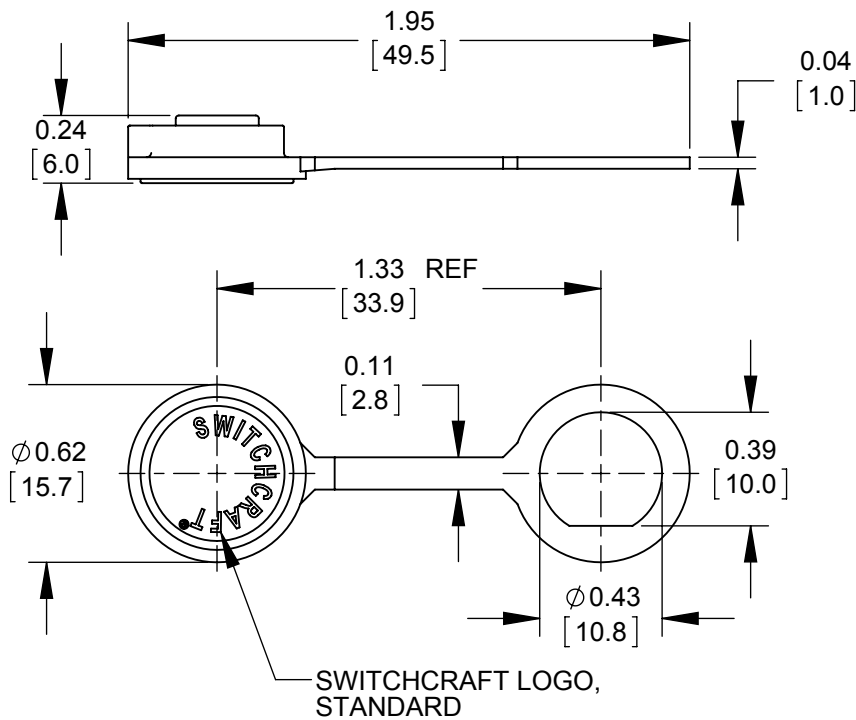


EN2 Series Panel-mount Seal Cap EN2CAPIP



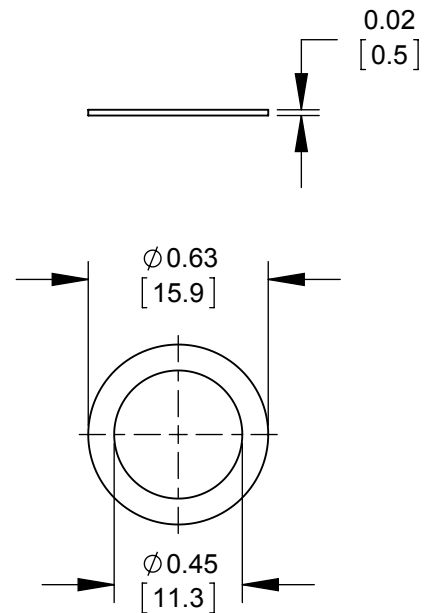
Dimensions:

CAP



DIMENSIONS SHOWN FOR REFERENCE ONLY

WASHER



Specifications:

Operating Temperature Limits: -40°C to +85°C (-40°F to +185°F)

Weathertight Ratings: IP66, IP67, IP68 per IEC60529, NEMA 250 (6P).

Material: Cap - Thermoplastic Elastomer, black
Washer - Copper Alloy, Nickel plated