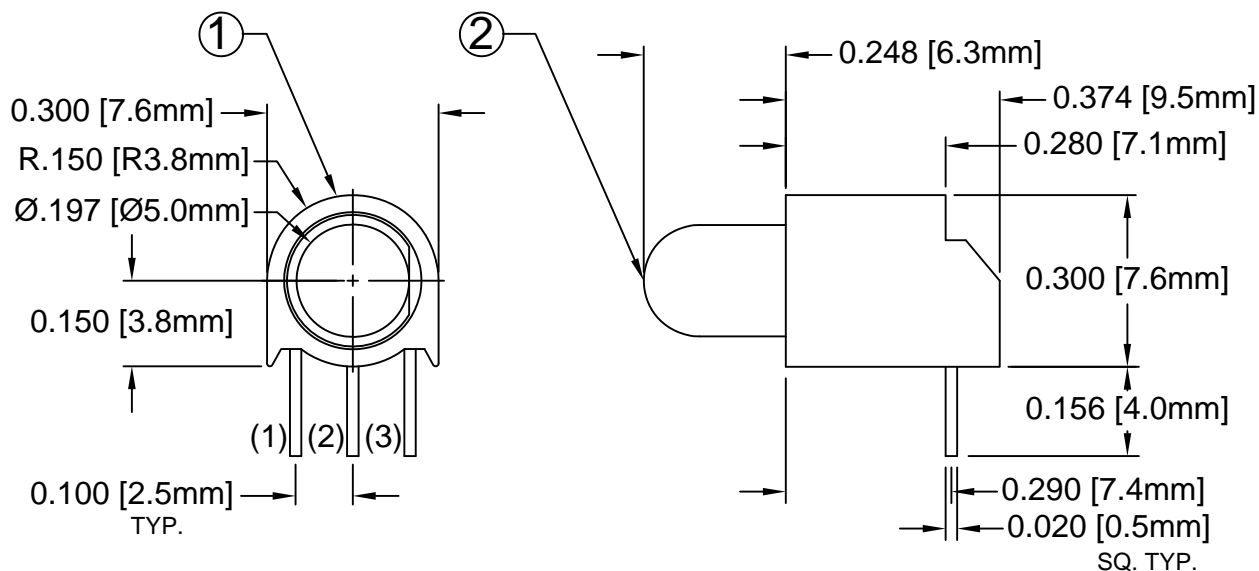
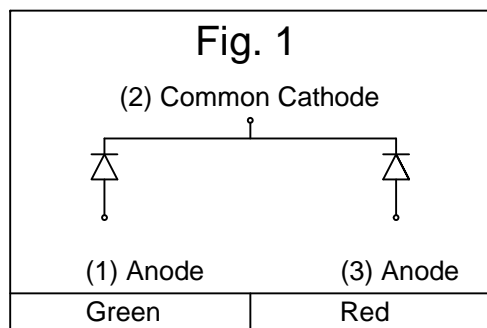
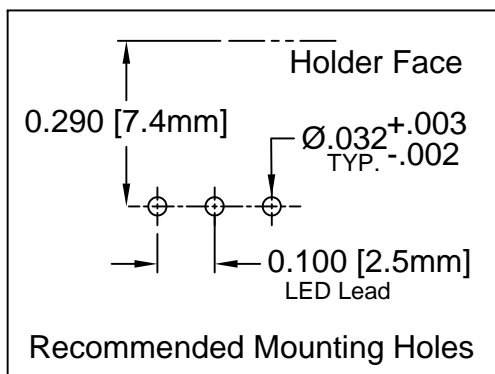


ITEM	Q'TY	PART NUMBER	PART DESCRIPTION
1	1	H-178C-3	T-1¼ (5mm) Single-Level Tri-Lead LED Holder, 90° Mount
2	1	5BC-3-F	T-1¼ (5mm) Bi-Color Flanged LED

REV.	DESCRIPTION	DATE	APPROVED
A	Engineering Release	01/09/03	M. C.
B	Typo Correction	05/29/03	M. C.
C	LED Protrusion Tolerance Update	04/27/05	M. C.
D	Changed LED Lead Cut Length	05/23/07	M. C.
E	Engineering Update w/o Changes	06/20/16	J. C.



LED Part No.	Chip			Lens Appearance	Absolute Max. Ratings				Electro-Optical Data @ 20mA			Viewing Angle (Deg)
	Material	Peak Wave Length λ_p (nm)	Emitted Color		$\Delta\lambda$ (nm)	Pd (mW)	If (mA)	Peak If (mA)	Vf (V)		Iv (mcd)	
									TYP	MAX	TYP	
5BC-3-F	GaAsP/GaP	635	HE RED	WHITE DIFFUSED	45	80	30	150	2.0	2.6	30	45
	GaP/GaP	568	GREEN		30	80	30	150	2.2	2.6	35	45

ABSOLUTE MAXIMUM RATINGS (Ta=25° C)

REVERSE VOLTAGE _____	5V
REVERSE CURRENT _____	100uA
OPERATING TEMPERATURE RANGE _____	-40° C - 80° C
STORAGE TEMPERATURE _____	-40° C - 100° C
LEAD SOLDERING TEMPERATURE(1/16" FROM BODY) _____	260° C FOR 5 SECONDS

STANDARD TOLERANCE (UNLESS OTHERWISE SPECIFIED)		 4 THOMAS, IRVINE, CA. 92618 TEL: (949) 951-8808 FAX: (949) 951-3974	
DECIMALS	ANGULAR		
.X ± .1	X° ± 1°	 TITLE: T-1¼ (5mm) BI-COLOR 3 LEAD 90° SINGLE-LEVEL LED ASSY	
.XX ± .02			
.XXX ± .010		PART NO: H178CBC-3-RP	
DESIGNED: D. Green	DATE: 01/09/03	REVISION: E	
CHECKED: M. Chen	DATE: 01/09/03	CAGE CODE : 32559 SHEET # 1 OF 1	
CAD GENERATED DOCUMENT. DO NOT MEASURE DRAWING.			