

SPECIFICATION

- Part No. : **BPF.24.01**
- Product Name : Airvu 2.4GHz Band Pass Filter
for UAV/Drone Antennas
- Features : RP SMA(M) Plug to RP SMA(F) Jack
Frequency Range:2400-2500MHz
Pass band Width: 100MHz
Insertion Loss: <1.3 dB
Material : Brass
Finish: Black Nickel Plated
Total Length: 35mm



1. Introduction

The Airvu BPF.24 2.4GHz Band Pass Filter is placed on the end of the antenna port to help eliminate or reduce radio interference problems on UAVs and thus optimize radio system performance. It does this in two ways

1. It reduces out of band noise entering the receiver causing effects such as reduction of control range
2. It reduces the antenna transmissions of out of band noise affecting other circuitry on your UAV (such as disrupting the GPS receiver leading to loss of fix, or a live video stream at 2.4 GHz)

The ceramic filter technology inside the BPF.24 has superior insertion loss and stop band performance than competing LTCC or lumped element filters, while also having good rejection at band edges. It uses a standard RP SMA(M) Plug to RP SMA(F) Jack interface, as most antennas at 2.4GHz have a RP SMA(M) connector. This filter is designed to be easily screwed onto this standard antenna SMA connector.

[Contact your regional Taoglas office for support](#)

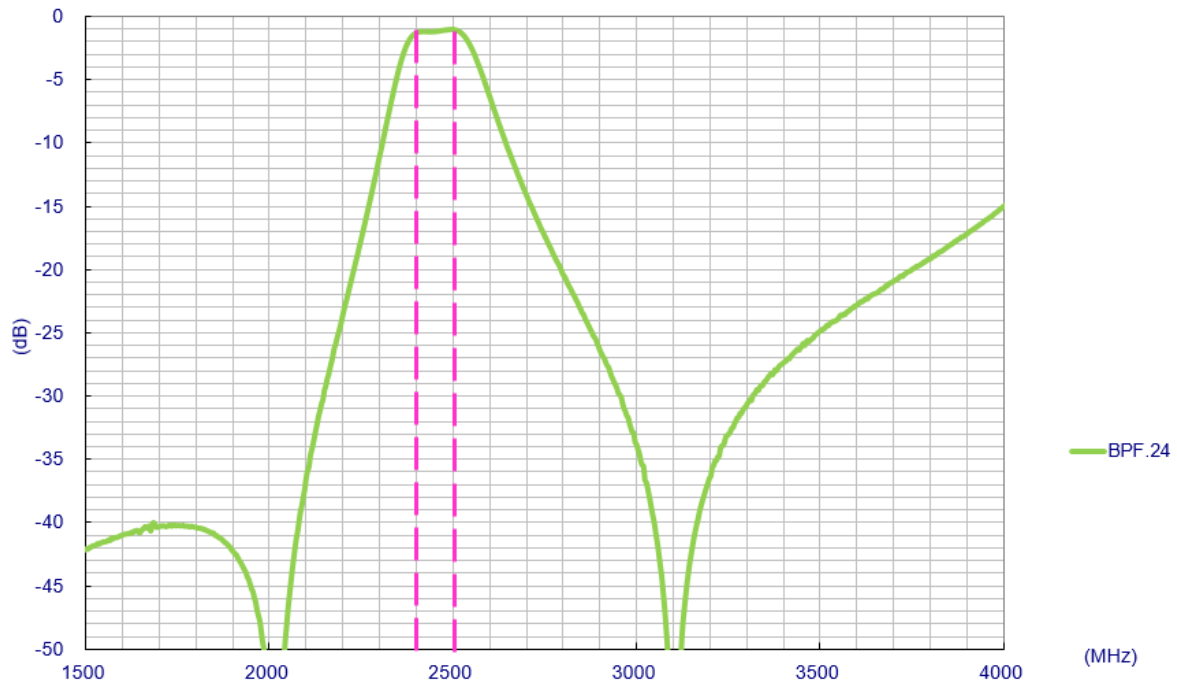
2. Specification Table

ELECTRICAL		
Pass Band Frequency		2400-2500MHz
Pass band Width		100MHz
Input / Output Impedance		50 Ohm
Max. Input Power		10W
Pass Band Insertion Loss		1.3dB max
Pass Band Ripple		0.8dB max
Pass Band Return Loss		9.6dB min
Stop-Band Attenuation	at 2033~2098MHz	30dB min
	at 2100MHz	25dB min
	at 2786MHz	15dB min
	at 4900~6000MHz	15dB min
MECHANICAL		
Connector type		RP-SMA(M) to RP-SMA(F)
Weight		8.815g
Dimensions		35*10mm
ENVIRONMENTAL		
Operating Temperature		-40°C to 85°C

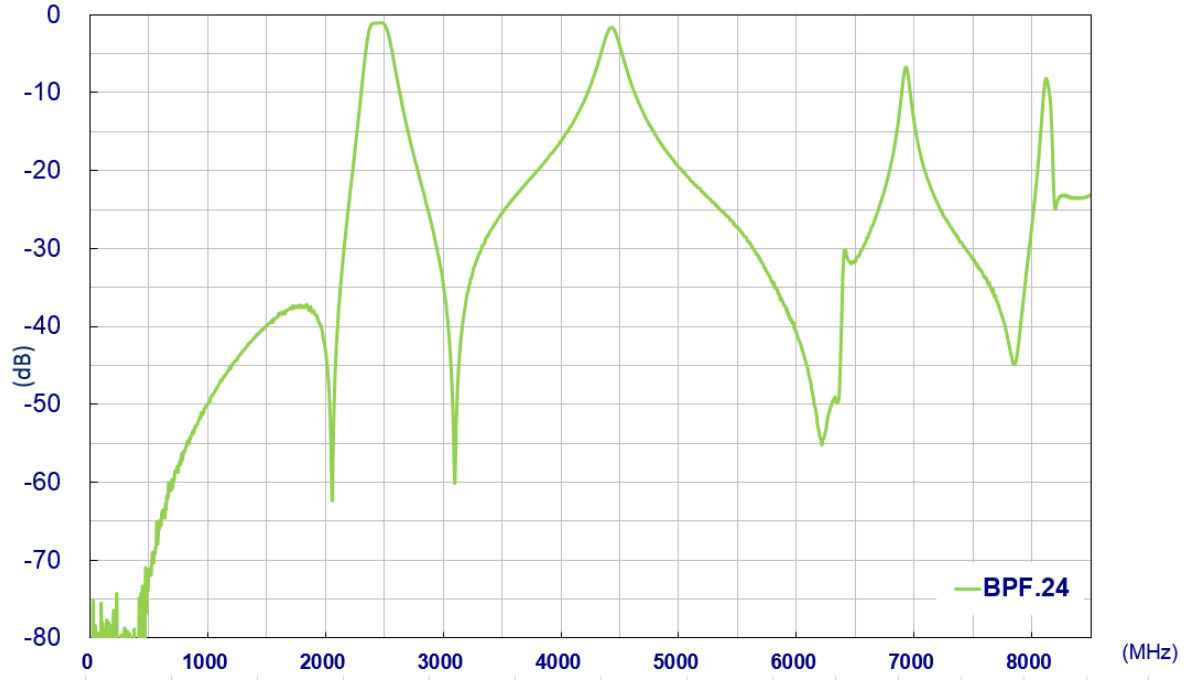
3. Electrical Specifications

S21

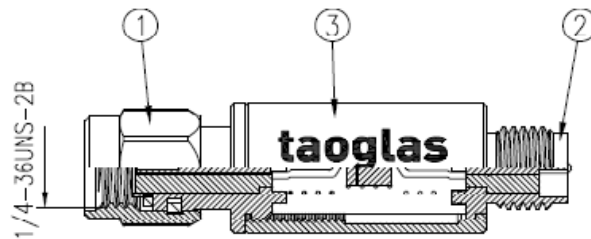
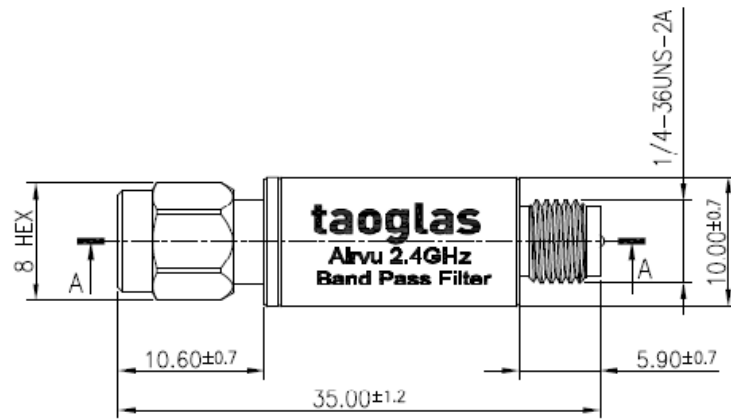
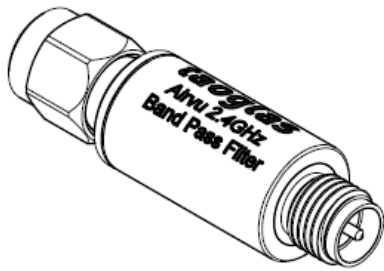
In Band View



Wide Band View



4. Mechanical Drawing (unit: mm)



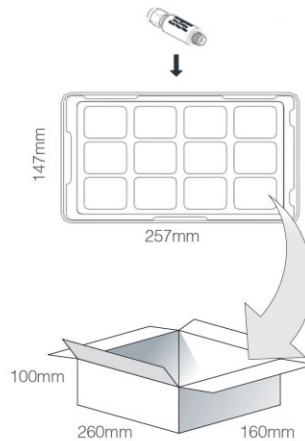
	Name	Material	Finish	QTY
1	RP-SMA(M)	Brass	Ni Plated	1
2	RP-SMA(F)	Brass	Ni Plated	1
3	Shell	Brass	Black-Ni Plated	1

5. Packaging

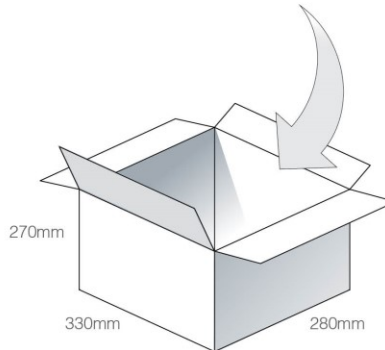
BPF.24.01

Packaging Specifications

36 pcs BPF.24.01 per tray
 (3 pcs per section)
 Tray Dimensions - 257*147*17mm
 Total Weight - 375g



9 trays / 324 pcs per box
 Box Dimensions - 260*160*100mm
 Weight - 3.4Kg



4 boxes / 1296 pcs per per carton
 Carton Dimensions - 330*280*270mm
 Weight - 14Kg

Pallet Dimensions 1100*1100*1530mm
 60 Cartons per pallet
 12 Cartons per layer
 5 Layers

