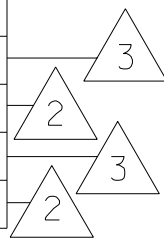
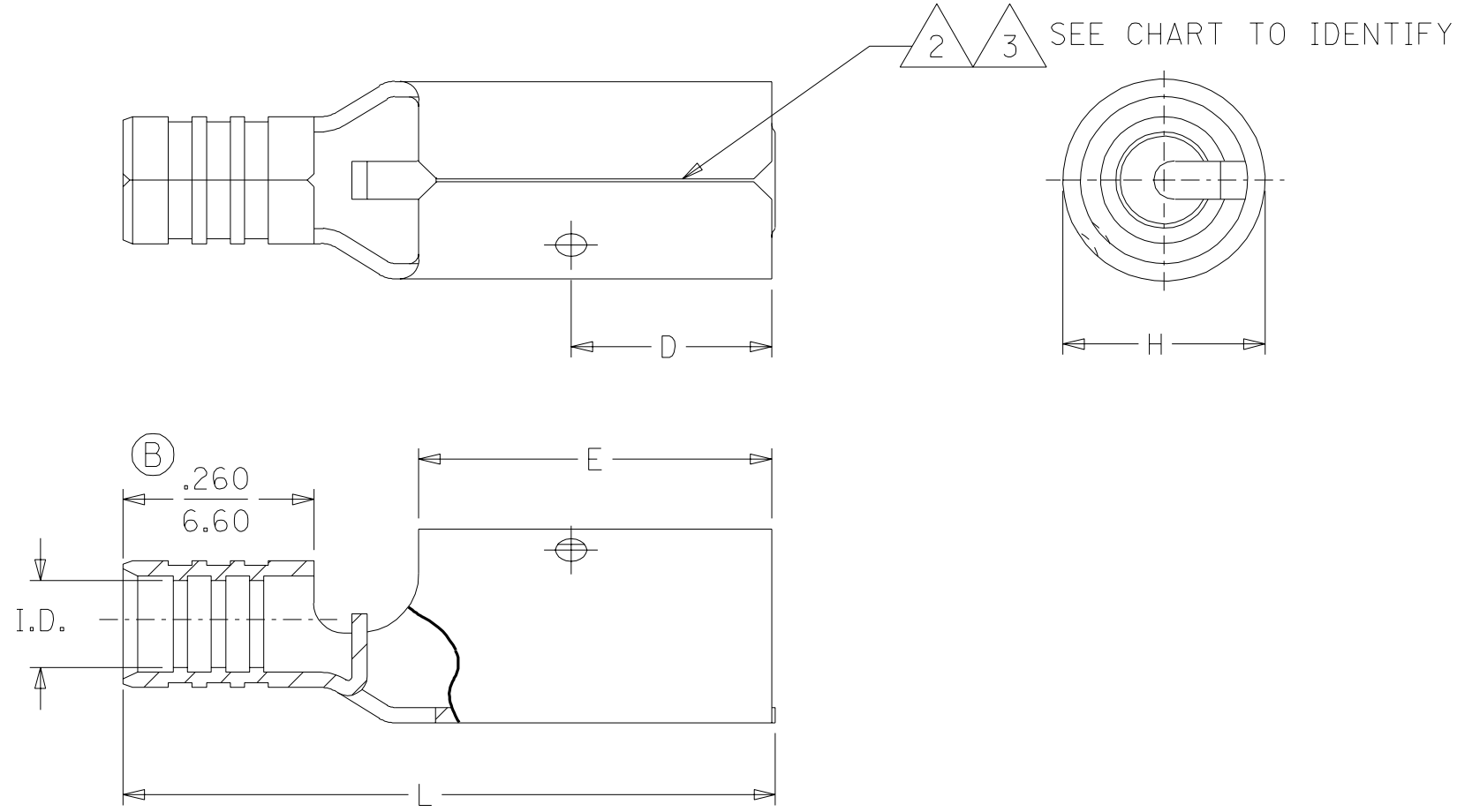


MATERIAL NUMBER	ENGINEERING NUMBER	WIRE RANGE AWC	MM ²	FITS MALE PLUG DIA.	"L" MAX.	I.D. MIN.	"D" ±.01	H ±.01	"E" NOM.
190370002	AA-1121	22-18	0.25-1.3	.156/(3.96)	.63/(16.0)	.066/(1.68)	.125/(3.18)	.19/(4.8)	.31/(7.88)
190370015	AA-1120	22-18	0.25-1.3	.180/(4.57)	.69/(17.53)	.066/(1.68)	.210/(5.33)	.21/(5.3)	.37/(9.40)
190370004	BB-1122	16-14	1.0-2.6	.156/(3.96)	.63/(16.0)	.089/(2.26)	.125/(3.18)	.19/(4.8)	.31/(7.88)
190370006	BB-1123	16-14	1.0-2.6	.180/(4.57)	.69/(17.53)	.089/(2.26)	.210/(5.33)	.21/(5.3)	.37/(9.40)



(B)



NOTES;
 (B) 1. MATERIAL: .016/0.41 BRASS
 FINISH: ELECTRO-TIN PLATING
 2 SEAM IS FULLY CLOSED.
 3. SEAM HAS A .010 GAP NOMINAL.

DEL TAPE NO'S	EC NO. ETC2003-0201	DRWN: BRE 03/05/08	CH'K: HEB 03/05/08	APPR: RWD 03/05/08
B	REV	DESCRIPTION	QUALITY SYMBOLS	MAJOR = 0
			CRITICAL = 0	

GENERAL TOLERANCES: (UNLESS SPECIFIED)	
4 PLACES	±0. ±.
3 PLACES	±0. ±.01
2 PLACES	±0.3 ±.01
1 PLACE	±0. ±.
ANGULAR: ±1/2°	
DRAFT WHERE APPLICABLE MUST REMAIN WITHIN DIMENSIONS	

SCALE NO: NE	DESIGN UNITS	THIRD ANGLE PROJECTION
BRE 02/08/12	mm <input checked="" type="checkbox"/> INCH <input type="checkbox"/>	<input type="checkbox"/> mm ONLY
CHECKED BY & DATE	DRAWN BY & DATE	
HEB 02/08/12	BRE 02/08/12	
APPROVED BY & DATE	RWD 02/08/12	
CAD FILENAME	SD-19037-002 .DGN	

TITLE: KRIMPTITE FEMALE BULLET RECEPTACLE		SHT	REV
MOLEX INCORPORATED			
MATERIAL NO.	DRAWING NO.	SHEET NO.	
SEE CHART	SD-19037-002	1 OF 1	
THIS DRAWING CONTAINS INFORMATION THAT IS PROPRIETARY TO MOLEX INCORPORATED AND SHOULD NOT BE USED WITHOUT WRITTEN PERMISSION.			SIZE B