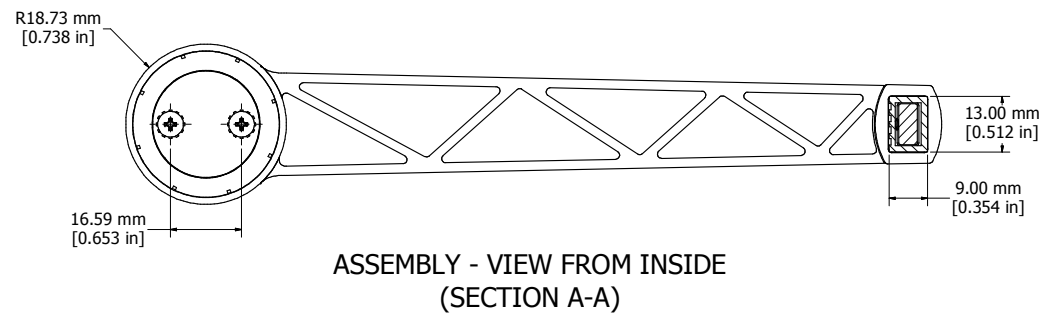
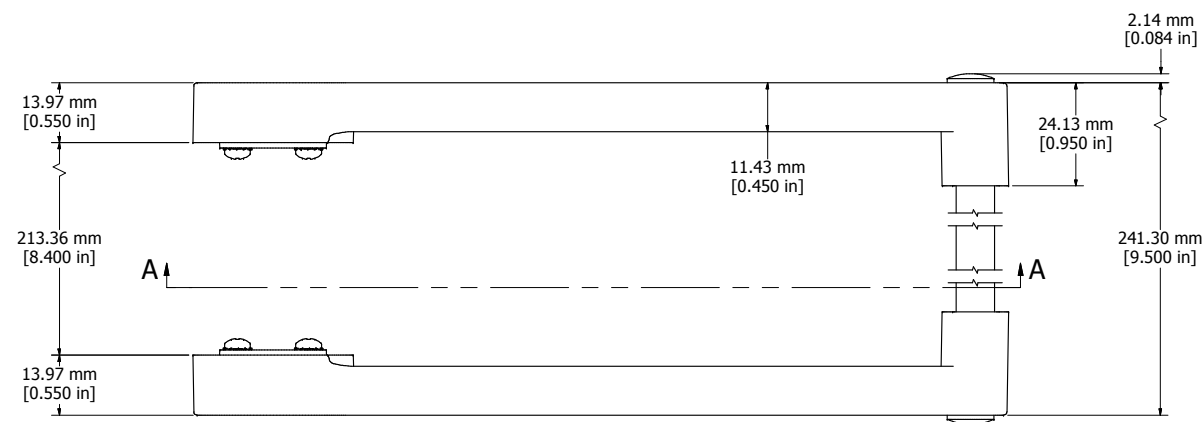
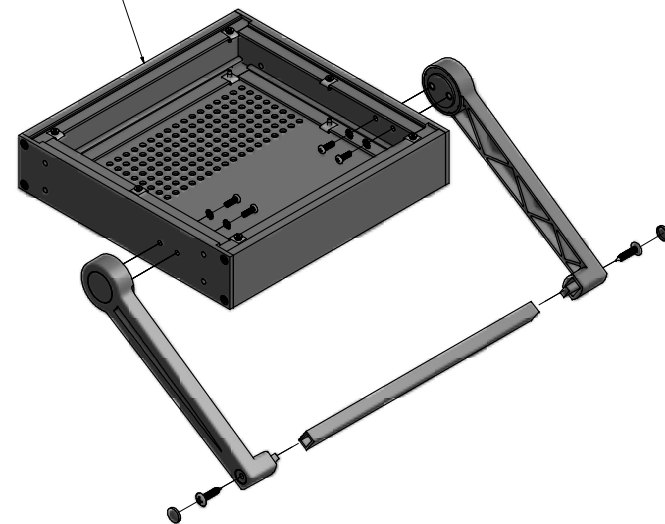


TYPICAL INSTALLATION
(ENCLOSURE NOT INCLUDED)



1427BAILKIT3	
Bails - Black Polycarbonate (2x)	
Handle - Black Anodized Aluminum Extrusion	
Hardware	
2 - #8 x 3/4" AB Type Screws	
2 - Black Cap Covers	
4 - M3 X 10 Screws	
4 - #4 Locktooth Washer	



**HAMMOND
MANUFACTURING™**

1427BAILKIT3

www.hammondmfg.com