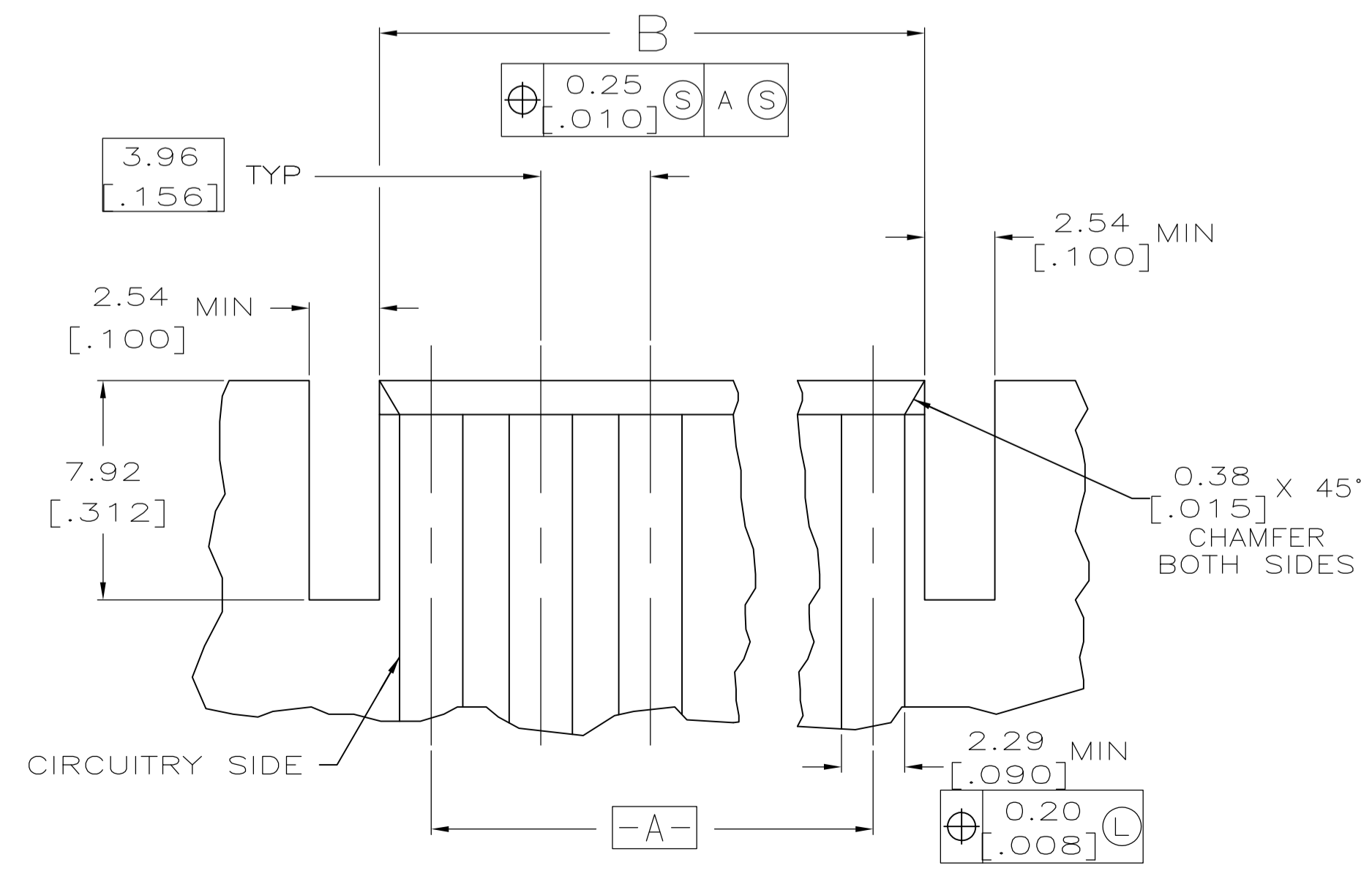
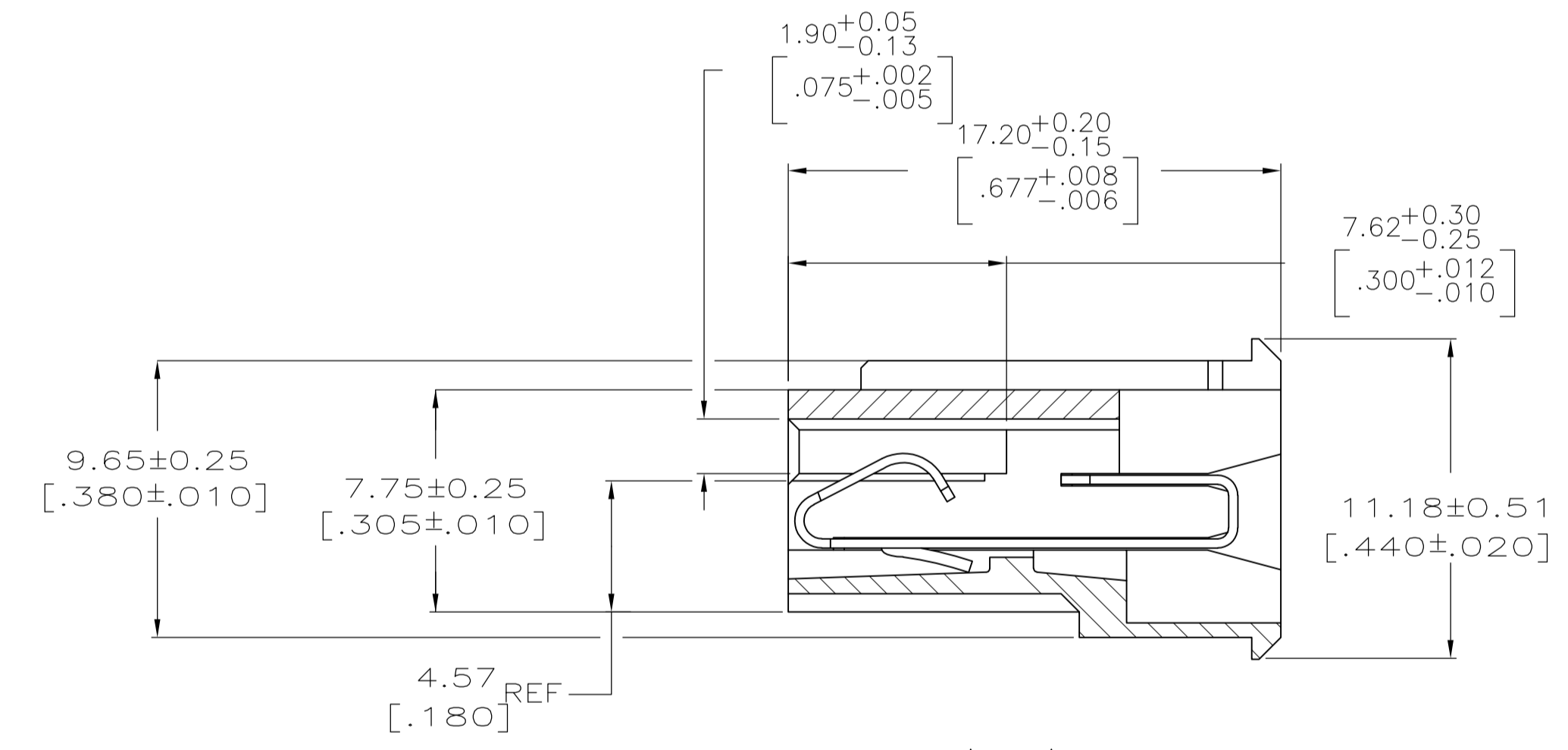
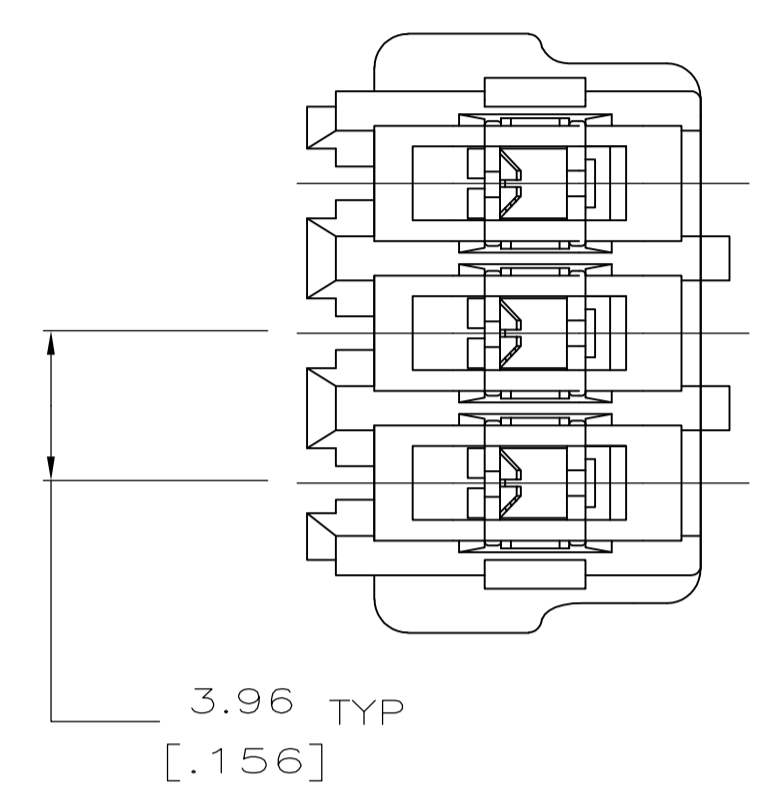
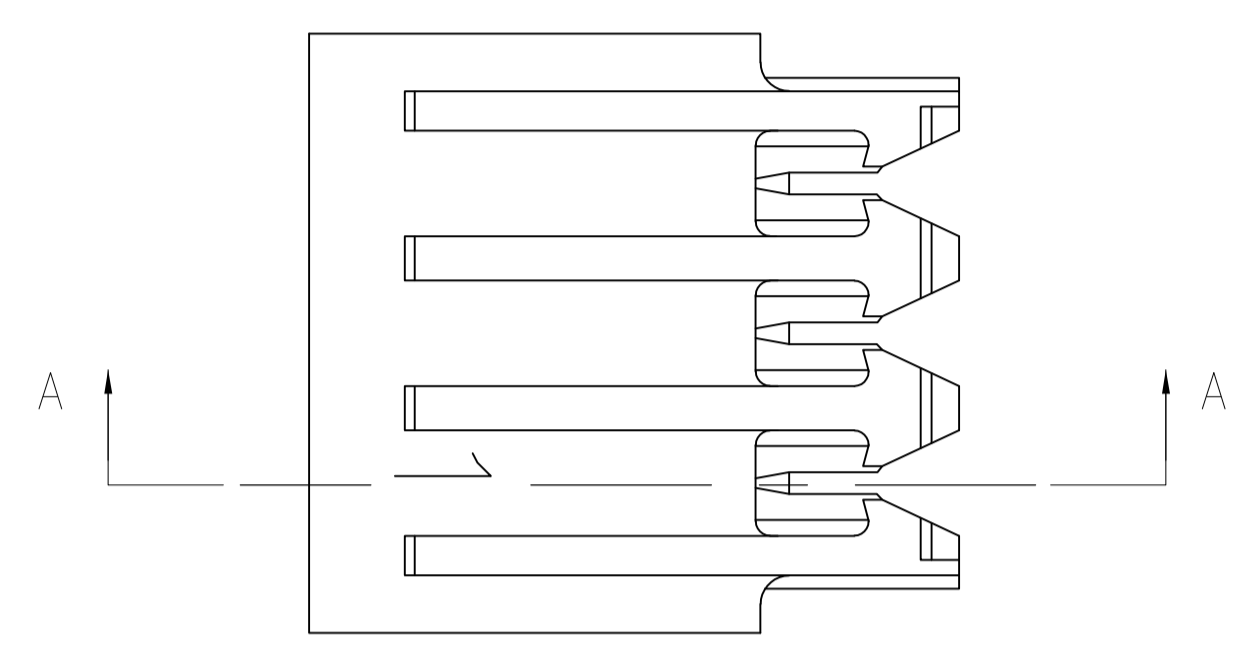
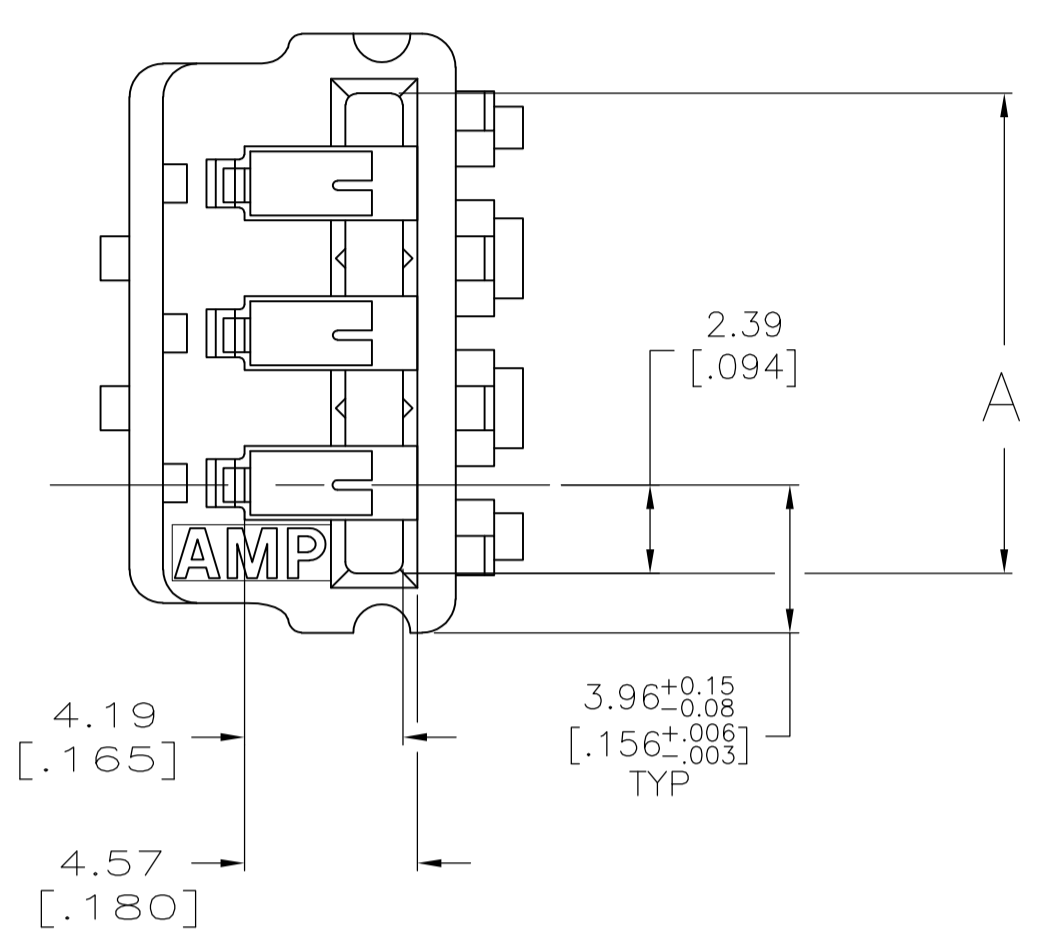
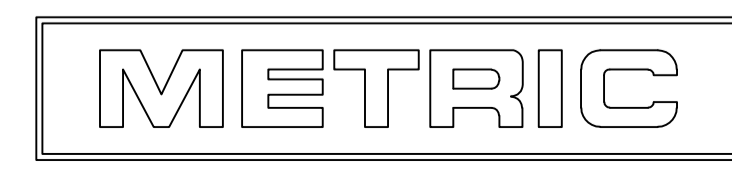


LOC		DIST		REVISIONS			
P	LTR	DESCRIPTION	DATE	DMN	APVD		
L		ECO-07-012898	27JUN07	KW	DB		
L1		REVISED PER ECO-09-021510	12SEP09	KK	AEG		

- MATERIAL:  
CONNECTOR: POLYESTER UL94V-0 (RED).  
CONTACTS: 0.30[.012] THK COPPER ALLOY.
  - CONTACT ACCEPT #22 AWG WIRE WITH 2.41[.095] MAXIMUM INSULATION DIAMETER.
  - CONNECTOR MATES WITH 1.57±0.20[.062±.008] THICK PC BOARD.
  - HOUSING FEATURES: FEED-THRU, STANDARD MOUTH WITHOUT MOUNTING EARS.
- ⚠ CONTACT FINISH: BRIGHT TIN-LEAD 0.00203[.000080] MIN THK.
- ⚠ CONTACT FINISH: MATTE WHISKER MITIGATED TIN 0.00203[.000080] MIN THICKNESS OVER NICKEL UNDERPLATE.
- ⚠ OBSOLETE PARTS: OBSOLETE CIS STREAMLINING PER D.RENAUD/D.SINISI



CONTACT FINISH	B		A		NO. OF CIRCUITS	PART NUMBER
	mm	[INCHES]	mm	[INCHES]		
⚠	95.50	[3.760]	95.91	[3.776]	24	5-641285-4
	91.54	[3.604]	91.95	[3.620]	23	5-641285-3
	87.58	[3.448]	87.99	[3.464]	22	5-641285-2
	83.62	[3.292]	84.02	[3.308]	21	5-641285-1
	79.65	[3.136]	80.06	[3.152]	20	5-641285-0
	71.73	[2.824]	72.14	[2.840]	18	4-641285-8
	59.84	[2.356]	60.25	[2.372]	15	4-641285-5
	47.96	[1.888]	48.36	[1.904]	12	4-641285-2
	36.07	[1.420]	36.47	[1.436]	9	3-641285-9
	24.18	[.952]	24.59	[.968]	6	3-641285-6
	12.29	[.484]	12.70	[.500]	3	3-641285-3
	⚠ SUPERCEDED	95.50	[3.760]	95.91	[3.776]	24
91.54		[3.604]	91.95	[3.620]	23	2-641285-3
87.58		[3.448]	87.99	[3.464]	22	2-641285-2
83.62		[3.292]	84.02	[3.308]	21	2-641285-1
79.65		[3.136]	80.06	[3.152]	20	2-641285-0
71.73		[2.824]	72.14	[2.840]	18	1-641285-8
59.84		[2.356]	60.25	[2.372]	15	1-641285-5
47.96		[1.888]	48.36	[1.904]	12	1-641285-2
36.07		[1.420]	36.47	[1.436]	9	641285-9
24.18		[.952]	24.59	[.968]	6	641285-6
12.29		[.484]	12.70	[.500]	3	641285-3



THIS DRAWING IS A CONTROLLED DOCUMENT. **Tyco Electronics** Tyco Electronics Corporation, Harrisburg, Pa 17105-3608

DIMENSIONS: mm [INCHES] TOLERANCES UNLESS OTHERWISE SPECIFIED:

0. PLC	±	-
1. PLC	±	-
2. PLC	±	0.13 [0.005]
3. PLC	±	-
4. PLC	±	-
ANGLES	±	-

MATERIAL: SEE NOTE 1 FINISH: SEE NOTE 1 WEIGHT: --

PRODUCT SPEC: MTA-156 CARD EDGE CONNECTOR ASSEMBLY, 22 AWG

APPLICATION SPEC: --

SIZE: A1 CAGE CODE: 00779 DRAWING NO: 641285

CUSTOMER DRAWING SCALE: 5:1 SHEET: 1 OF 1 REV: L1