

MODEL:

SRW08U22MD

8U/12U/22U Expandable Patch-Depth Wall-Mount Open Frame Rack



8U/12U/22U Rack Units



Expandable Design



150 lb. Load Rating



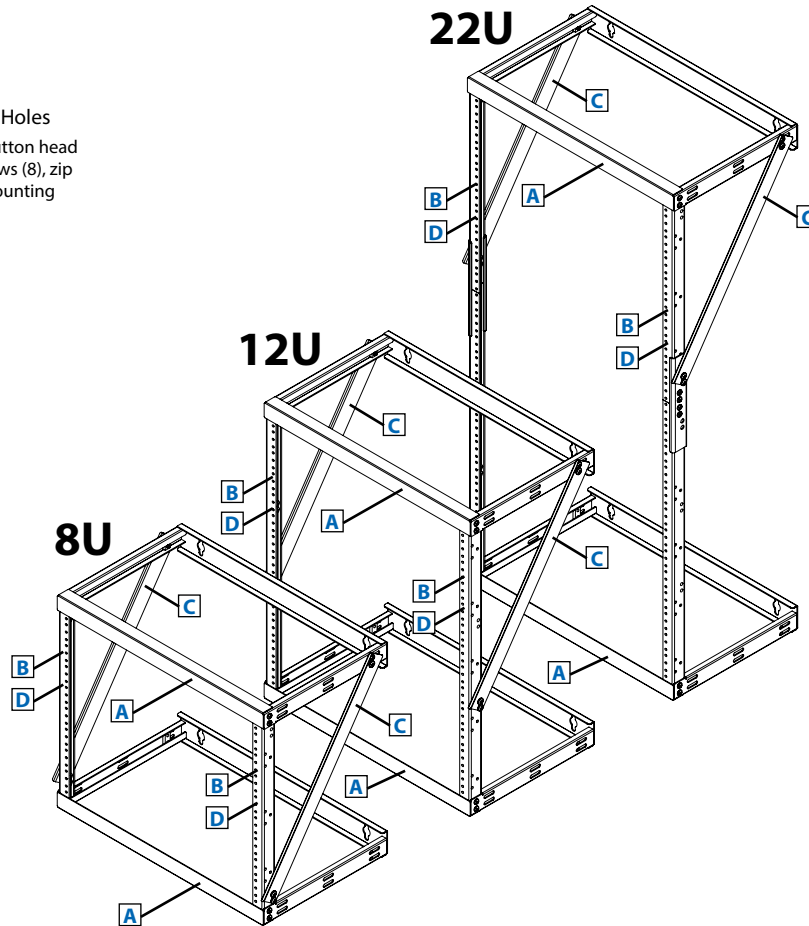
Accommodates Standard 19-inch Equipment



Sturdy Steel Construction

- A** Top/Bottom Panel Frames
- B** Vertical Mounting Rails (2)
- C** Reinforcement Straps (2)
- D** Threaded (#12-24) Mounting Holes

Also Includes: Owner's Manual, M5 button head cap screws (16), M6 Phillips head screws (8), zip ties (8) and rackmount equipment mounting hardware (24 #12-24 screws).



- Wall-mount racks provide convenient storage for rackmount IT devices and other equipment that should be off the floor and out of the way

- Expandable design assembles in 8U, 12U or 22U configuration to meet current needs
- 2-post open-frame design is ideal for IT environments that do not require a lockable enclosure cabinet
- Ships disassembled for easy transport and assembly in tight spaces
- Threaded (#12-24) mounting holes enable fast equipment mounting
- Ideal for cost-conscious 19-inch rackmount applications

SEE NEXT PAGE FOR DETAILED UNIT MEASUREMENTS

Specifications

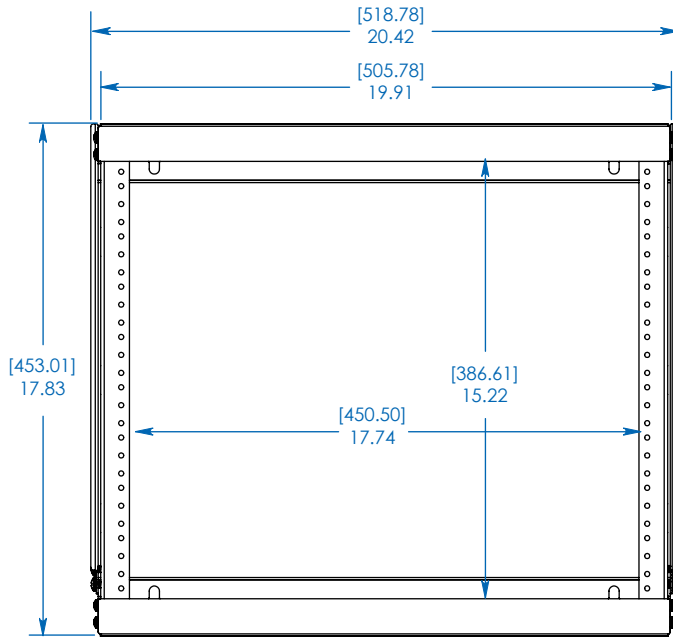
Model	SRW08U22MD
Rack Spaces	8U/12U/22U (Adjustable)
Equipment Mounting Depth	11.5 in. [292 mm]
Load Rating*	150 lb. [68 kg]
Unit Dimensions (H x W x D)	17.83 (8U)/24.83 (12U)/42.34 (22U) x 19.91 x 12 in. [453/631/1076 x 506 x 305 mm]
Shipping Dimensions (H x W x D)	3.35 x 21.46 x 27.75 in. [85 x 545 x 705 mm]
Unit Weight	10.24 lb. (8U)/11.25 lb. (12U)/14.08 lb. (22U) [4.6/5.1/6.4 kg]
Shipping Weight	17 lb. [7.7 kg]
Standards	Meets EIA-310-E, IEC 60297-3-100, NOM (Mexico), GOST and RoHS standards

* The load rating includes the combined weight of the unit and installed equipment. The unit must be mounted to a stable surface with user-supplied anchors capable of bearing the full load. Tripp Lite has a policy of continuous improvement. Specifications are subject to change without notice.

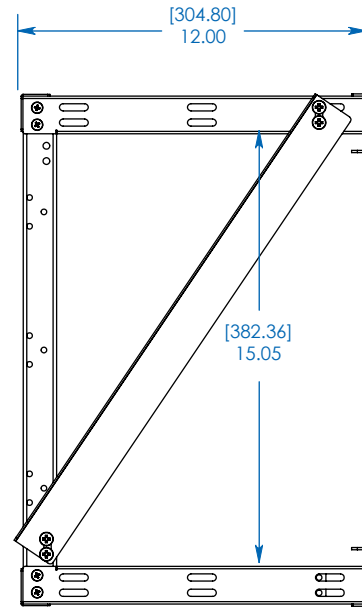


1111 W. 35th Street
Chicago, IL 60609 USA
773.869.1234
www.tripplite.com

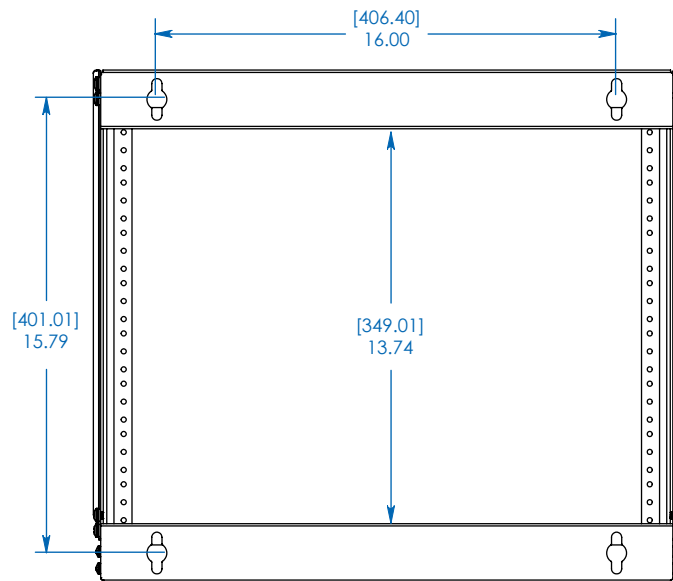
8U



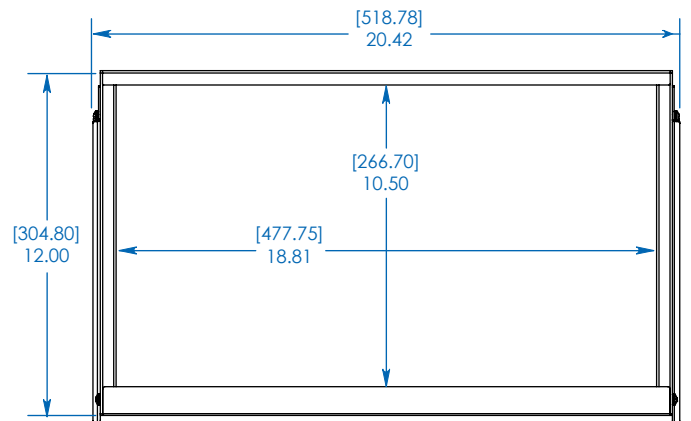
FRONT VIEW



SIDE VIEW



REAR VIEW



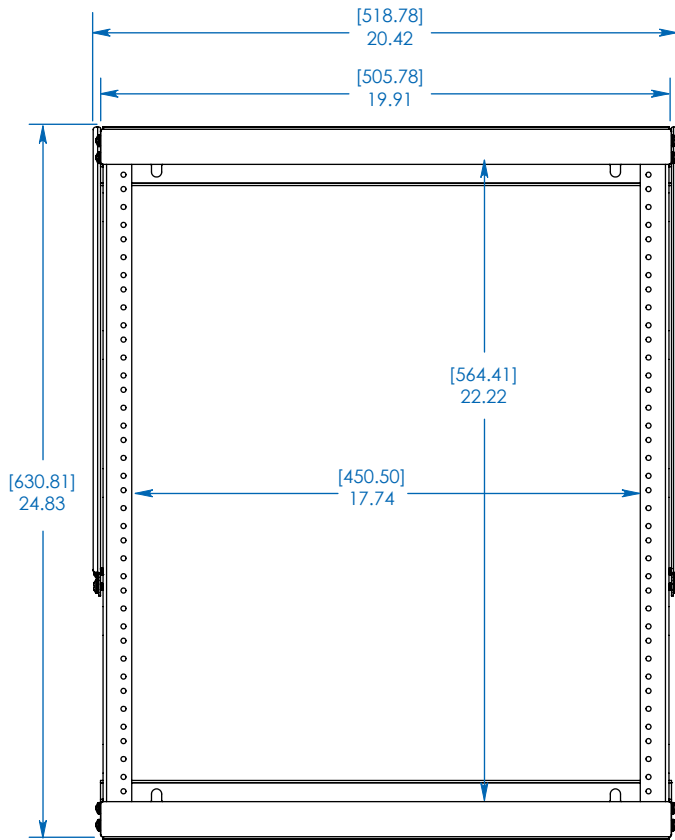
TOP VIEW

Dimensions: [mm] INCHES

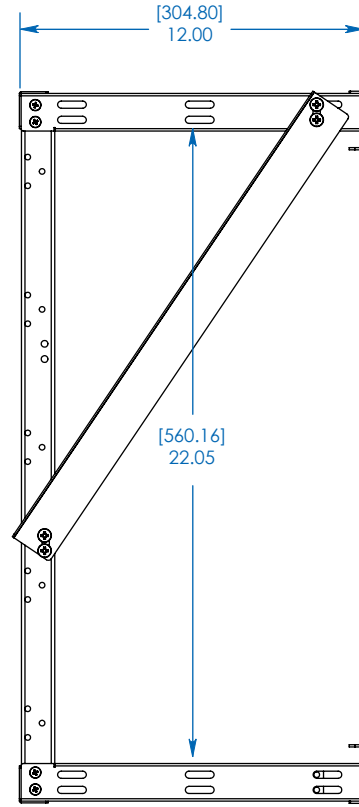
Tripp Lite has a policy of continuous improvement. Specifications are subject to change without notice.

MODEL:
SRW08U22MD
TRIPP·LITE

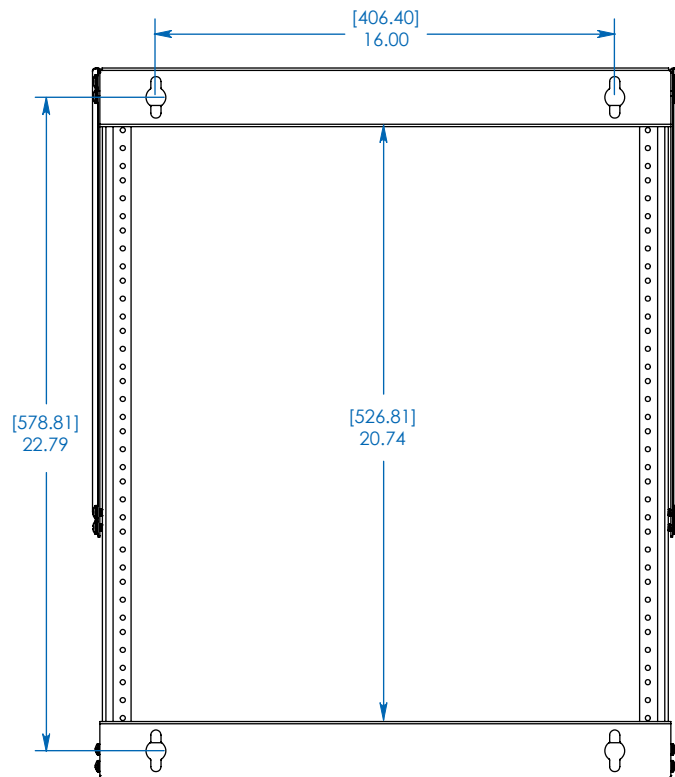
12U



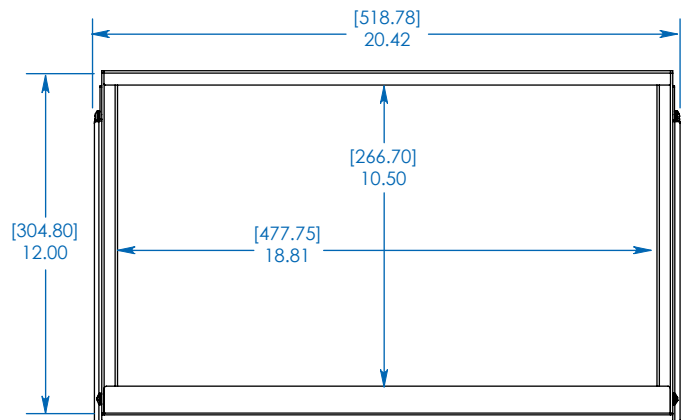
FRONT VIEW



SIDE VIEW



REAR VIEW



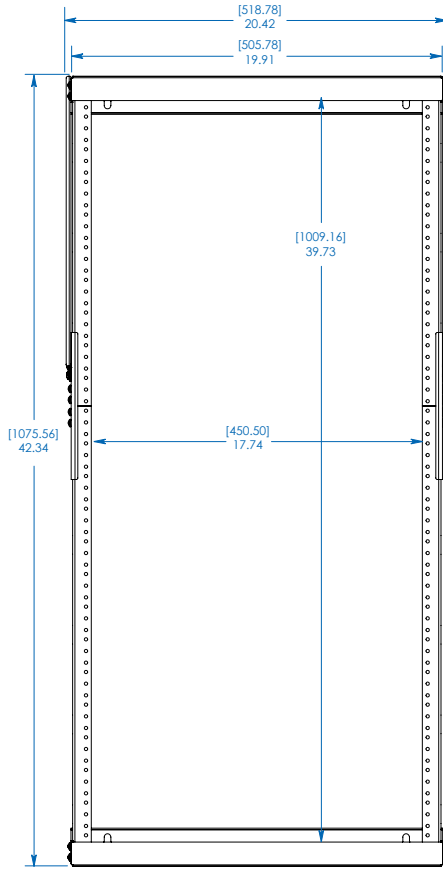
TOP VIEW

Dimensions: [mm] INCHES

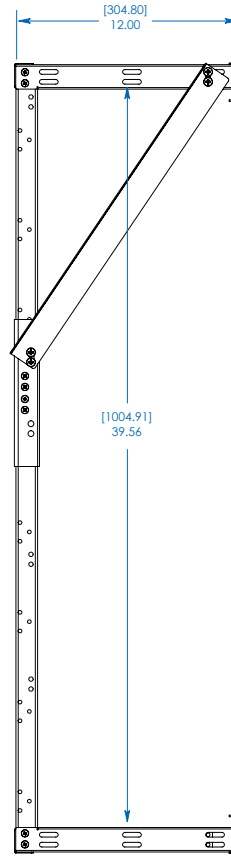
Tripp Lite has a policy of continuous improvement. Specifications are subject to change without notice.

MODEL:
SRW08U22MD
TRIPP·LITE

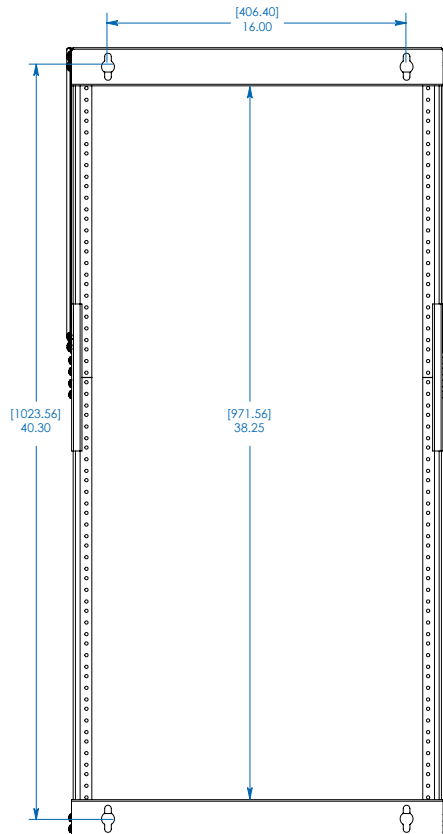
22U



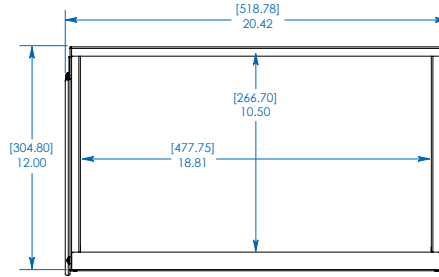
FRONT VIEW



SIDE VIEW



REAR VIEW



TOP VIEW

Dimensions: [mm] INCHES

Tripp Lite has a policy of continuous improvement. Specifications are subject to change without notice.

MODEL:
SRW08U22MD
TRIPP·LITE

1111 W. 35th Street
 Chicago, IL 60609 USA
 773.869.1234
www.tripplite.com