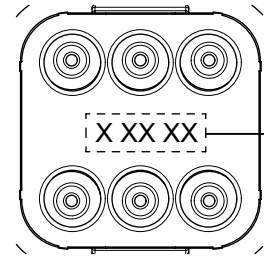
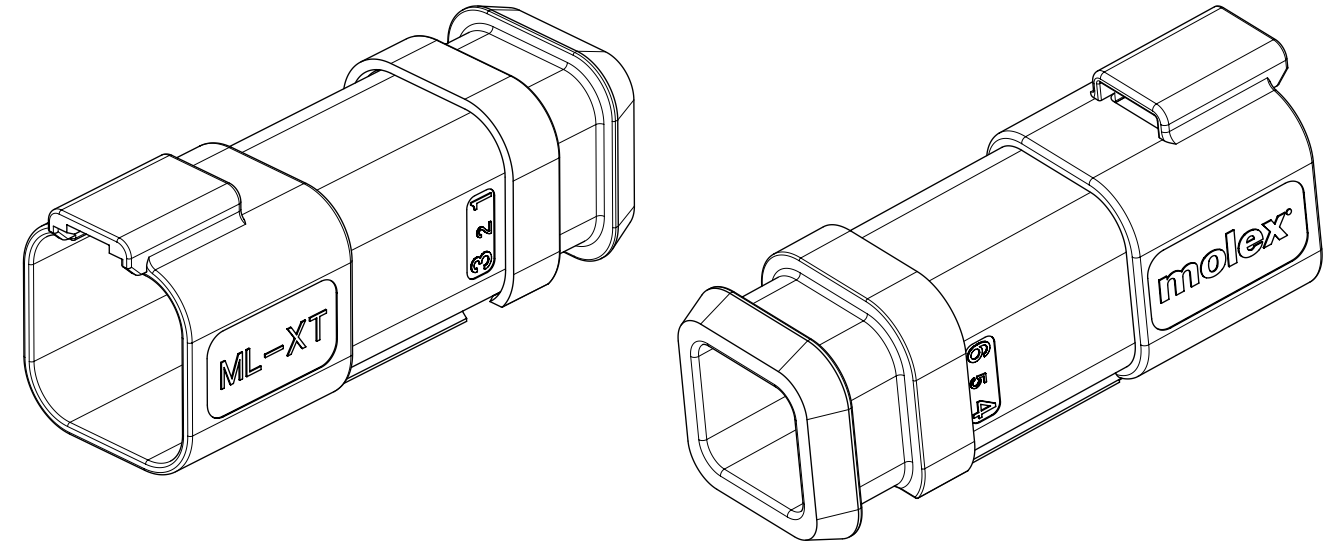
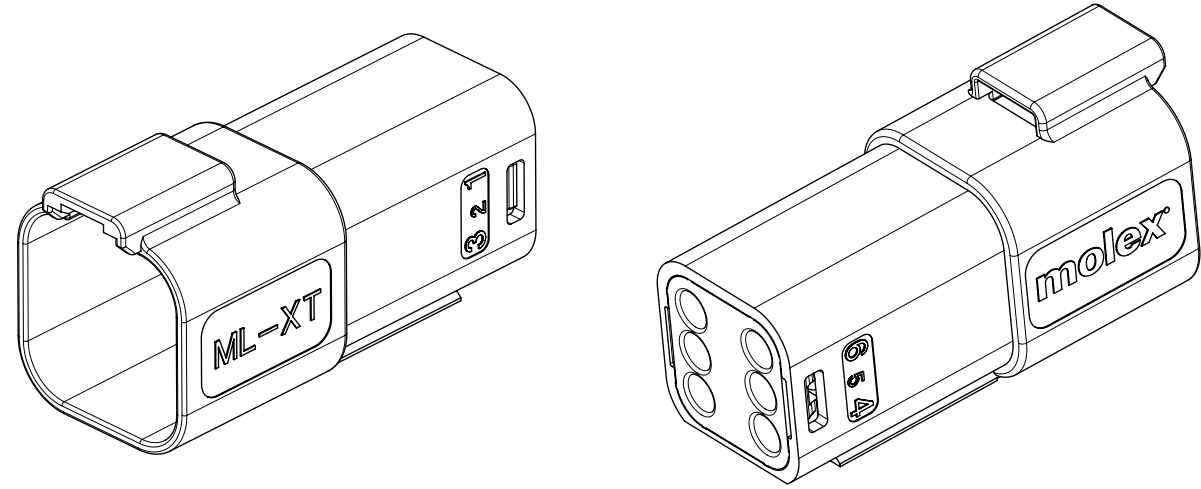


NOTES
 1. SEE SHEETS 2 TO 7 FOR ALL UNSPECIFIED NOTES, DIMENSIONS AND PART NUMBERS

THIS DRAWING CONTAINS INFORMATION THAT IS PROPRIETARY TO MOLEX ELECTRONIC TECHNOLOGIES, LLC AND SHOULD NOT BE USED WITHOUT WRITTEN PERMISSION											
QUALITY SYMBOLS ▽A = 0 ▽E = 0 ▽F = 0 ▼ = 0 ▽C = 0 ⊗ = 0 ■ = 0 ▽ = 0	SEE LONG TEXT EC NO: 110489 DRWN: JFLETCHER CHK'D: FDUGGAN APPR: JDWALLACE	GENERAL TOLERANCES (UNLESS SPECIFIED)		DIMENSION UNITS	SCALE						
		ANGULAR TOL ± 2.0 °		MM	1.5:1						
		4 PLACES ±		DRWN BY	DATE						
		3 PLACES ±		JFLETCHER	2015/11/04	6CCT ML-XT CV CONNECTOR					
		2 PLACES ± 0.1		CHK'D BY	DATE						
		1 PLACE ± 0.2		FDUGGAN	2015/12/07						
		0 PLACES ±		APPR BY	DATE	PRODUCT CUSTOMER DRAWING					
		DRAFT WHERE APPLICABLE MUST REMAIN WITHIN DIMENSIONS		JDWALLACE	2015/12/08						
				DRAWING SIZE	THIRD ANGLE PROJECTION						
				A3		SERIES	MATERIAL NUMBER	CUSTOMER		93443 SEE CHART GENERAL MARKET	
		A2		93443	SEE CHART	GENERAL MARKET					
		REV		DOCUMENT NUMBER	DOC TYPE	DOC PART	SHEET NUMBER	934430040 PSD 000 1 OF 7			

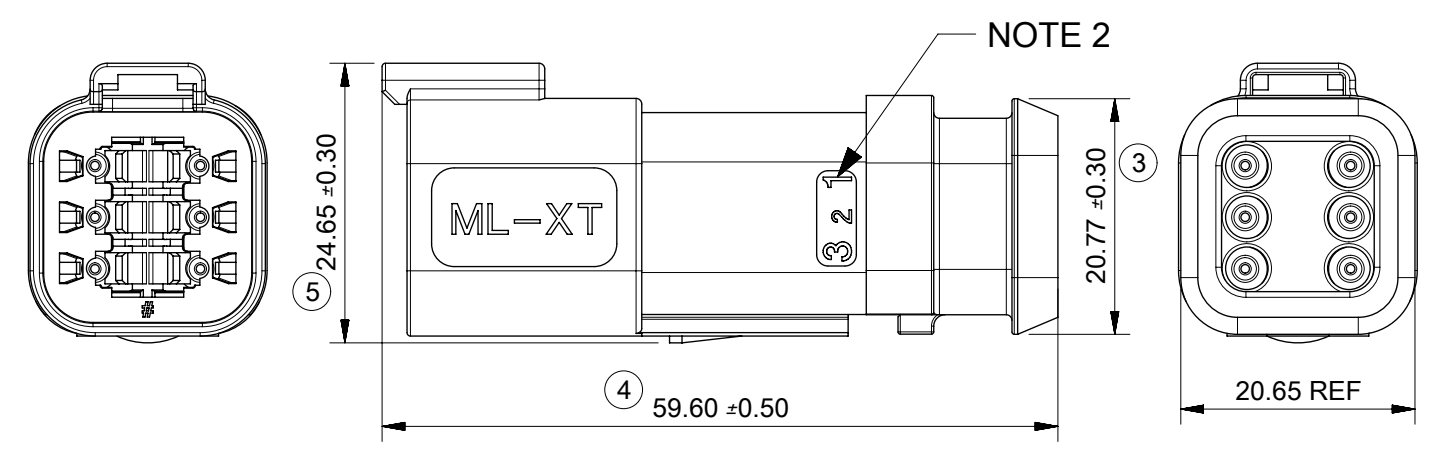
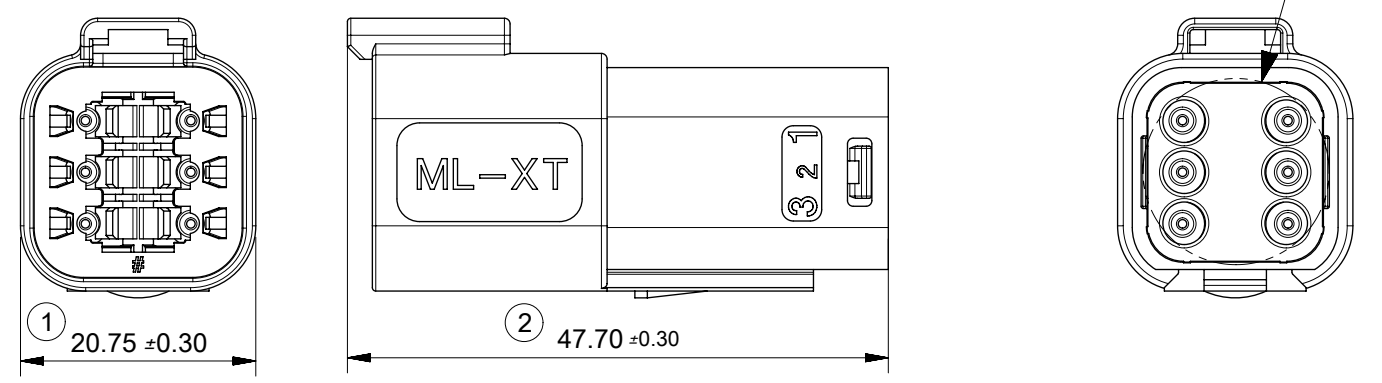
6CCT RECEPTACLE CONNECTOR

6CCT RECEPTACLE CONNECTOR WITH HEATSHRINK HOUSING ULTRASONICALLY WELDED IN PLACE



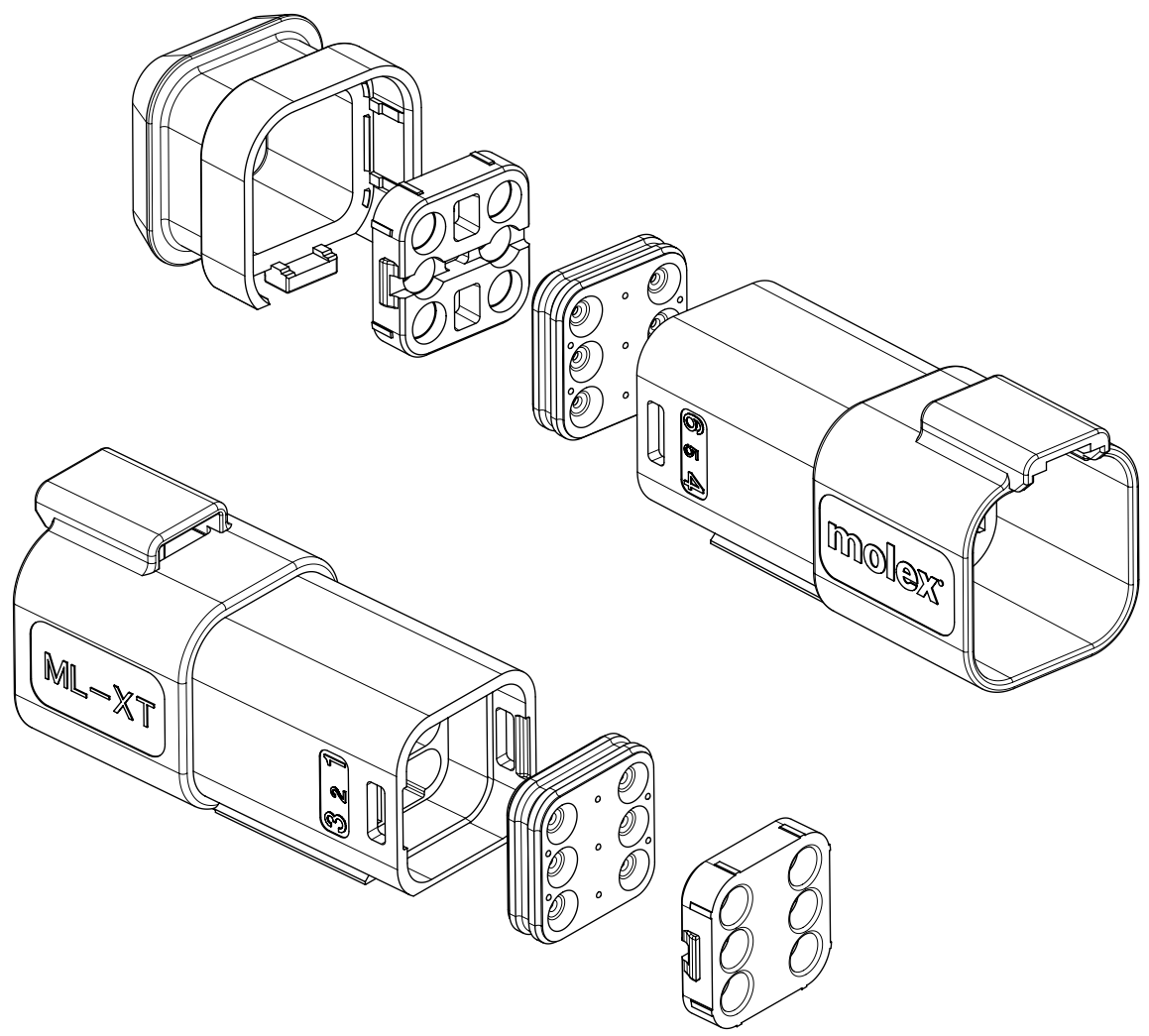
DATE CODE: X XX XX
 X — DAY: 1 - 7
 X — WEEK: 01 - 52
 X — YEAR: 00 - 99
 # — MACHINE NO. 1
 EXAMPLE: 11315 = DAY 1, WEEK 13, YEAR 15
 i.e. 23rd OF MARCH 2015

DETAIL B
SCALE 2:1



1. MATERIAL
HOUSING: NYLON 30%GF
BACK SEAL: HIGH CONSISTENCY RUBBER
 2. CIRCUIT IDENTIFICATION
 3. JACKET RANGE LARGE = Ø2.7MM TO 3.6MM (SEAL COLOUR: LIGHT BLUE)
JACKET RANGE SMALL = Ø1.4MM TO 2.7MM (SEAL COLOUR: BURNT ORANGE)
 4. SEE SHEET 3 FOR FINAL PART NUMBER
 5. SEE 934430010 PS P FOR PRODUCT SPECIFICATION
 6. SEE 934430002 PS K OR 934430010 PS K FOR PACKAGING SPECIFICATION
- INSPECTION NUMBERS 1 - 50 RESERVED FOR SHEET 2
 LAST INSPECTION NO. 5

THIS DRAWING CONTAINS INFORMATION THAT IS PROPRIETARY TO MOLEX ELECTRONIC TECHNOLOGIES, LLC AND SHOULD NOT BE USED WITHOUT WRITTEN PERMISSION										
QUALITY SYMBOLS	A = 0 E = 0 EB = 0 ▼ = 0 C = 0 ⊗ = 0 ■ = 0 ▽ = 0	EC NO: 110489 DRWN: JFLETCHER CHK'D: FDUGGAN APPR: JDWALLACE	2016/11/16 2016/11/18 2017/01/03	GENERAL TOLERANCES (UNLESS SPECIFIED)		DIMENSION UNITS	SCALE			
				ANGULAR TOL ± 2.0 °		MM	1.5:1			
SEE LONG TEXT				4 PLACES ±	JFLETCHER		DATE		6CCT ML-XT CV CONNECTOR	
				3 PLACES ±	FDUGGAN		2015/11/04			
DRAFT WHERE APPLICABLE MUST REMAIN WITHIN DIMENSIONS				2 PLACES ± 0.1	JDWALLACE		DATE		PRODUCT CUSTOMER DRAWING	
				1 PLACE ± 0.2	2015/12/07		DATE			
A2				0 PLACES ±	JDWALLACE		DATE		SERIES: 93443 MATERIAL NUMBER: SEE CHART CUSTOMER: GENERAL MARKET	
				DRAWING SIZE: A3		THIRD ANGLE PROJECTION				
RELEASE STATUS		ER	RELEASE DATE	18.11.2016	14:27:41	DOCUMENT NUMBER		DOC TYPE	DOC PART	SHEET NUMBER
						934430040		PSD	000	2 OF 7



6CCT RECEPTACLE CONNECTOR

93444 4 - --

SERIES No. _____

CIRCUIT SIZE
4 = 6CCT

ASSEMBLY OPTIONS:

- 1 = RECEP ASSEMBLY FOR WIRE JACKET RANGE: Ø1.4mm-2.7mm (NOTE 2)
- 2 = RECEP ASSEMBLY FOR WIRE JACKET RANGE: Ø2.7mm-3.6mm (NOTE 2)
- 5 = RECEP ASSEMBLY & HEATSHRINK FOR WIRE JACKET RANGE: Ø1.4mm-2.7mm
- 6 = RECEP ASSEMBLY & HEATSHRINK FOR WIRE JACKET RANGE: Ø2.7mm-3.6mm

COLOUR

- 01=BLACK 06=WHITE
- 02=GREY 07=BROWN
- 03=GREEN 08=ORANGE
- 04=BLUE 09=RED
- 05=YELLOW

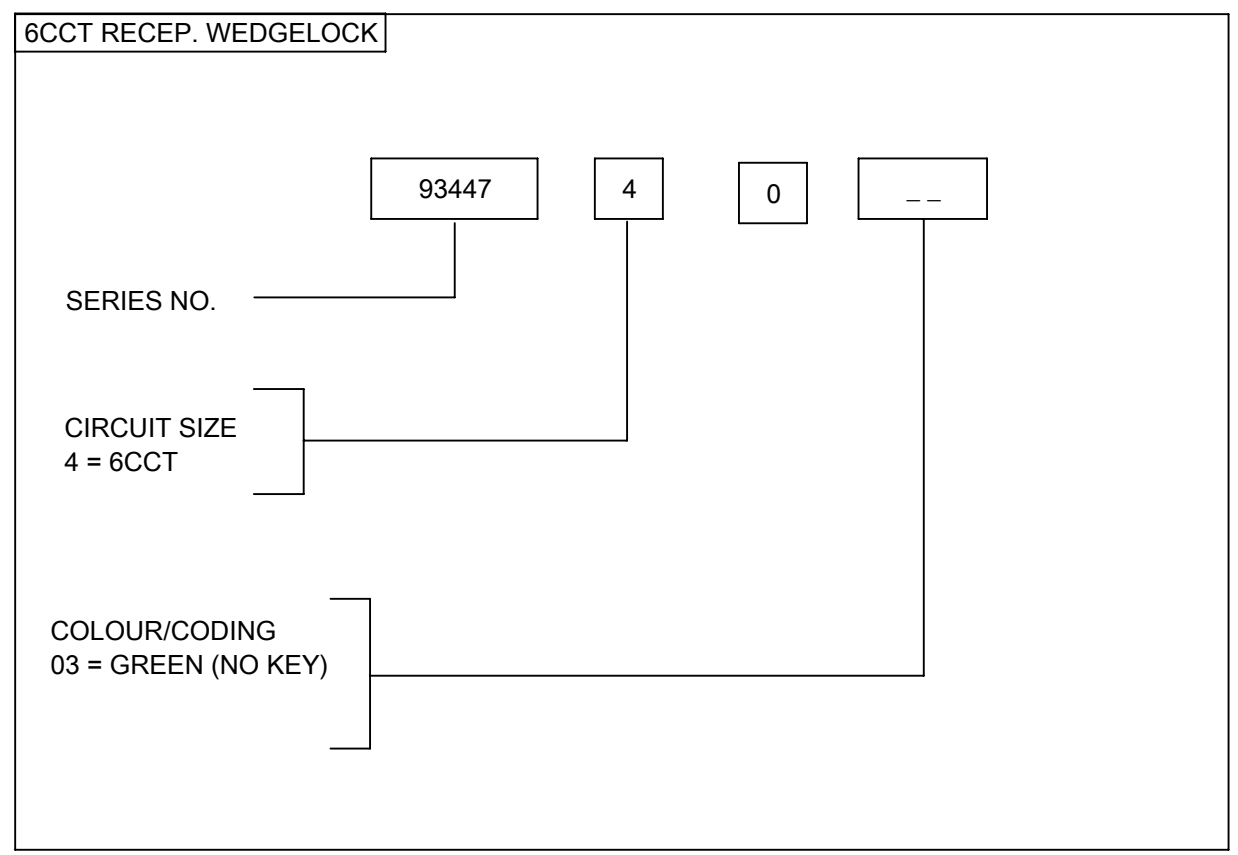
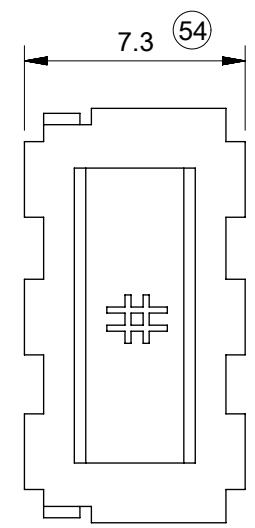
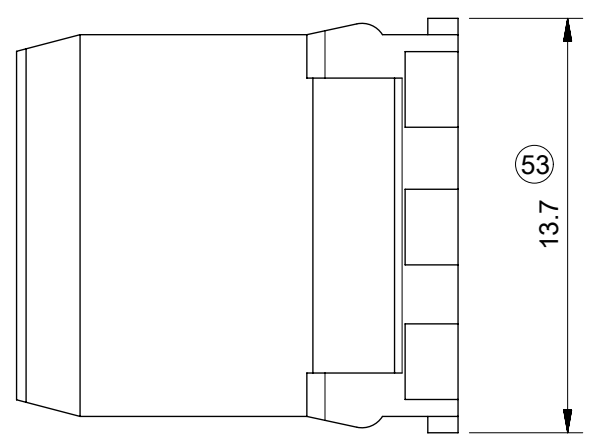
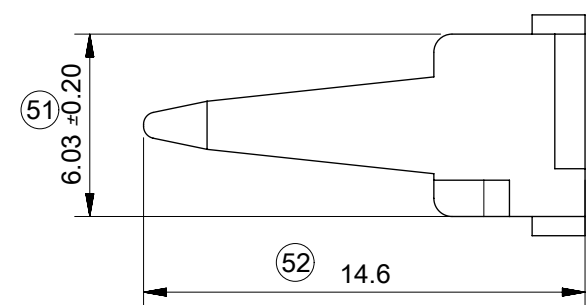
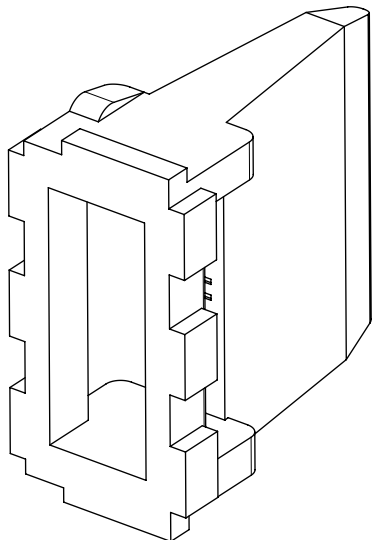
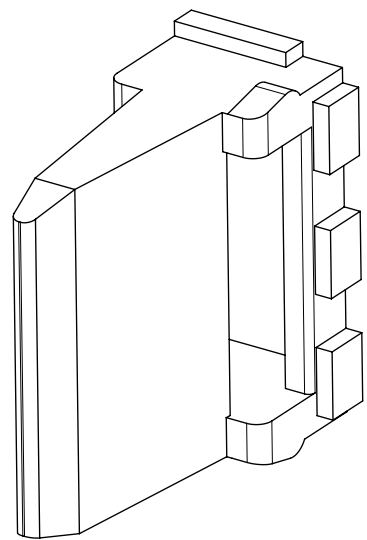
EXAMPLE:

6cct RECEP BLACK WITH LARGE SEAL AND HEATSHRINK = 93444-4601

NOTES

1. SEE SHEET 2 FOR UNSPECIFIED NOTES AND DIMENSIONS
2. BACK COVER HOUSING COLOUR BLACK
3. HEATSHRINK HOUSING COLOUR BLACK

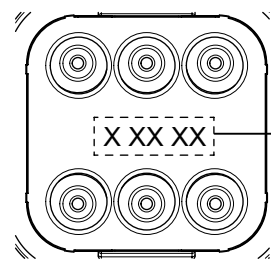
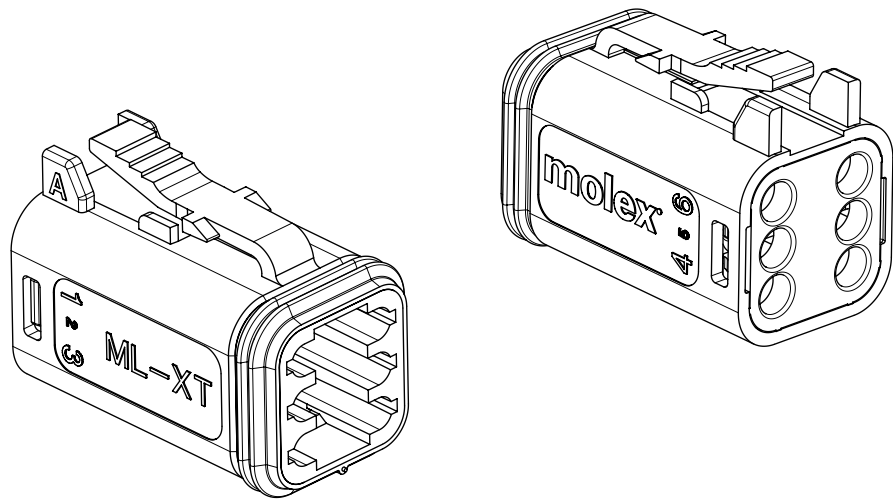
THIS DRAWING CONTAINS INFORMATION THAT IS PROPRIETARY TO MOLEX ELECTRONIC TECHNOLOGIES, LLC AND SHOULD NOT BE USED WITHOUT WRITTEN PERMISSION													
QUALITY SYMBOLS ▽A = 0 ▽E = 0 ▽F = 0 ▼ = 0 ▽C = 0 ⊠ = 0 ■ = 0 ▽ = 0	SEE LONG TEXT EC NO: 110489 DRWN: JFLETCHER CHK'D: FDUGGAN APPR: JDWALLACE	GENERAL TOLERANCES (UNLESS SPECIFIED) ANGULAR TOL ± 2.0 °		DIMENSION UNITS MM	SCALE 1:1								
		4 PLACES ±		DRWN BY JFLETCHER	DATE 2015/11/04								
		3 PLACES ±		CHK'D BY FDUGGAN	DATE 2015/12/07	6CCT ML-XT CV CONNECTOR							
		2 PLACES ± 0.1		APPR BY JDWALLACE	DATE 2015/12/08								
		1 PLACE ± 0.2		DRAWING SIZE A3		THIRD ANGLE PROJECTION		PRODUCT CUSTOMER DRAWING					
		0 PLACES ±		DRAFT WHERE APPLICABLE MUST REMAIN WITHIN DIMENSIONS				SERIES 93443	MATERIAL NUMBER SEE CHART	CUSTOMER GENERAL MARKET			
RELEASE STATUS ER RELEASE DATE 18.11.2016 14:27:41							DOCUMENT NUMBER 934430040		DOC TYPE PSD	DOC PART 000	SHEET NUMBER 3 OF 7		



NOTES
 1. MATERIAL
 HOUSING: NYLON 30%GF
 INSPECTION No's 51-100 RESERVED FOR SHEET 4
 LAST INSPECTION No. 54

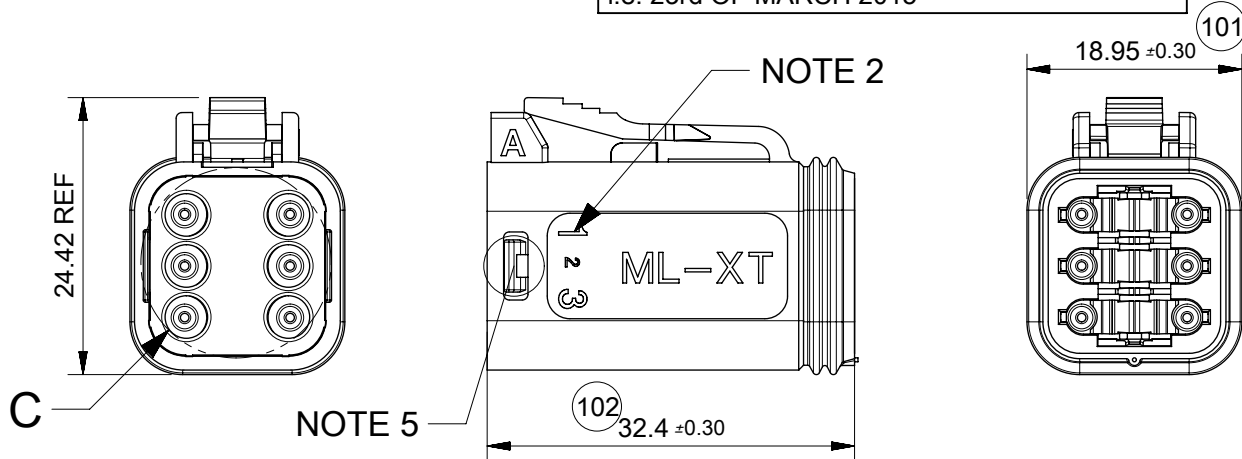
THIS DRAWING CONTAINS INFORMATION THAT IS PROPRIETARY TO MOLEX ELECTRONIC TECHNOLOGIES, LLC AND SHOULD NOT BE USED WITHOUT WRITTEN PERMISSION												
QUALITY SYMBOLS		SEE LONG TEXT		GENERAL TOLERANCES (UNLESS SPECIFIED)		DIMENSION UNITS		SCALE		 6CCT ML-XT CV CONNECTOR		
▽A	= 0	EC NO: 110489 DRWN: JFLETCHER CHK'D: FDUGGAN APPR: JDWALLACE	ANGULAR TOL ± 2.0 °		MM		4:1					
▽E	= 0		4 PLACES	±	DRWN BY		DATE					
▽F	= 0		3 PLACES	±	JFLETCHER		2015/11/04					
▽	= 0		2 PLACES	± 0.1	CHK'D BY		DATE					
▽C	= 0		1 PLACE	± 0.2	FDUGGAN		2015/12/07					
▽	= 0		0 PLACES	±	APPR BY		DATE					
▽	= 0	DRAFT WHERE APPLICABLE MUST REMAIN WITHIN DIMENSIONS		JDWALLACE		2015/12/08		PRODUCT CUSTOMER DRAWING				
▽	= 0	A2		DRAWING SIZE		THIRD ANGLE PROJECTION		SERIES	MATERIAL NUMBER		CUSTOMER	
				A3				93443	SEE CHART		GENERAL MARKET	
								DOCUMENT NUMBER		DOC TYPE	DOC PART	SHEET NUMBER
								934430040		PSD	000	4 OF 7

6CCT PLUG CONNECTOR

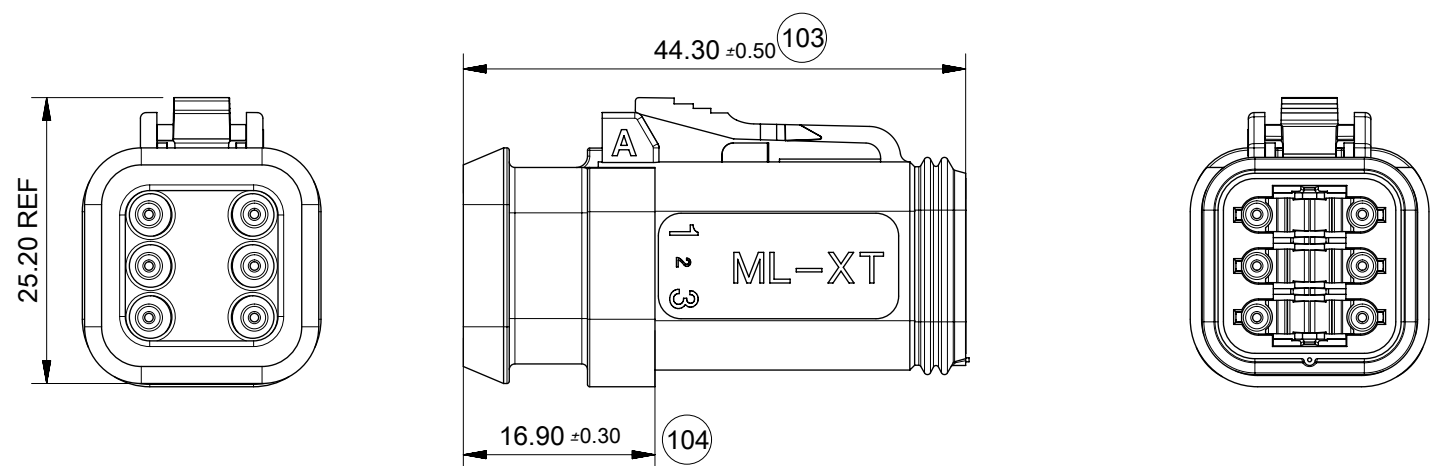
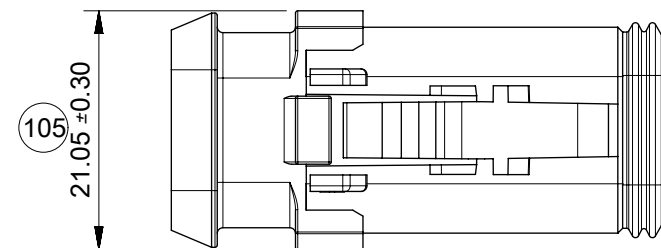
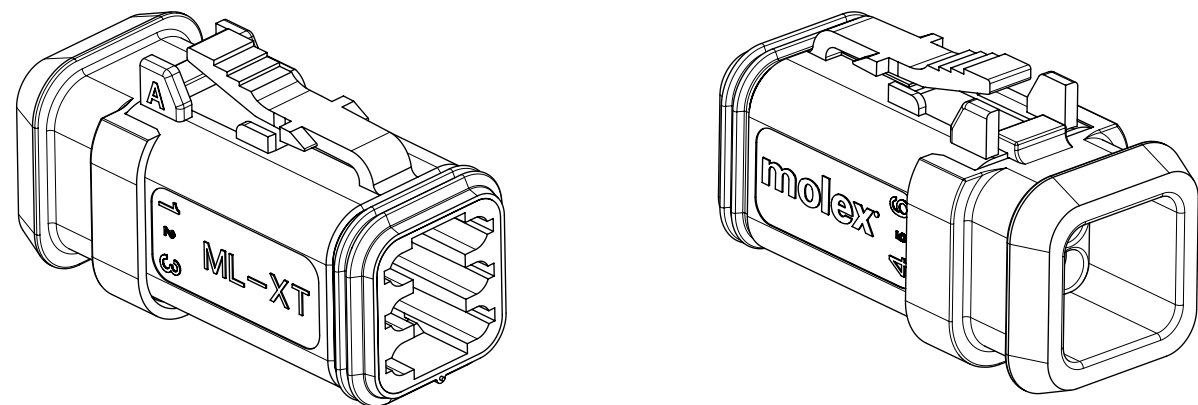


DETAIL C
SCALE 2:1

DATE CODE: X XX XX
X — DAY: 1- 7
X — WEEK: 01 - 52
X — YEAR: 00 - 99
— MACHINE NO. 1
EXAMPLE: 11315 = DAY 1, WEEK 13, YEAR 15
i.e. 23rd OF MARCH 2015



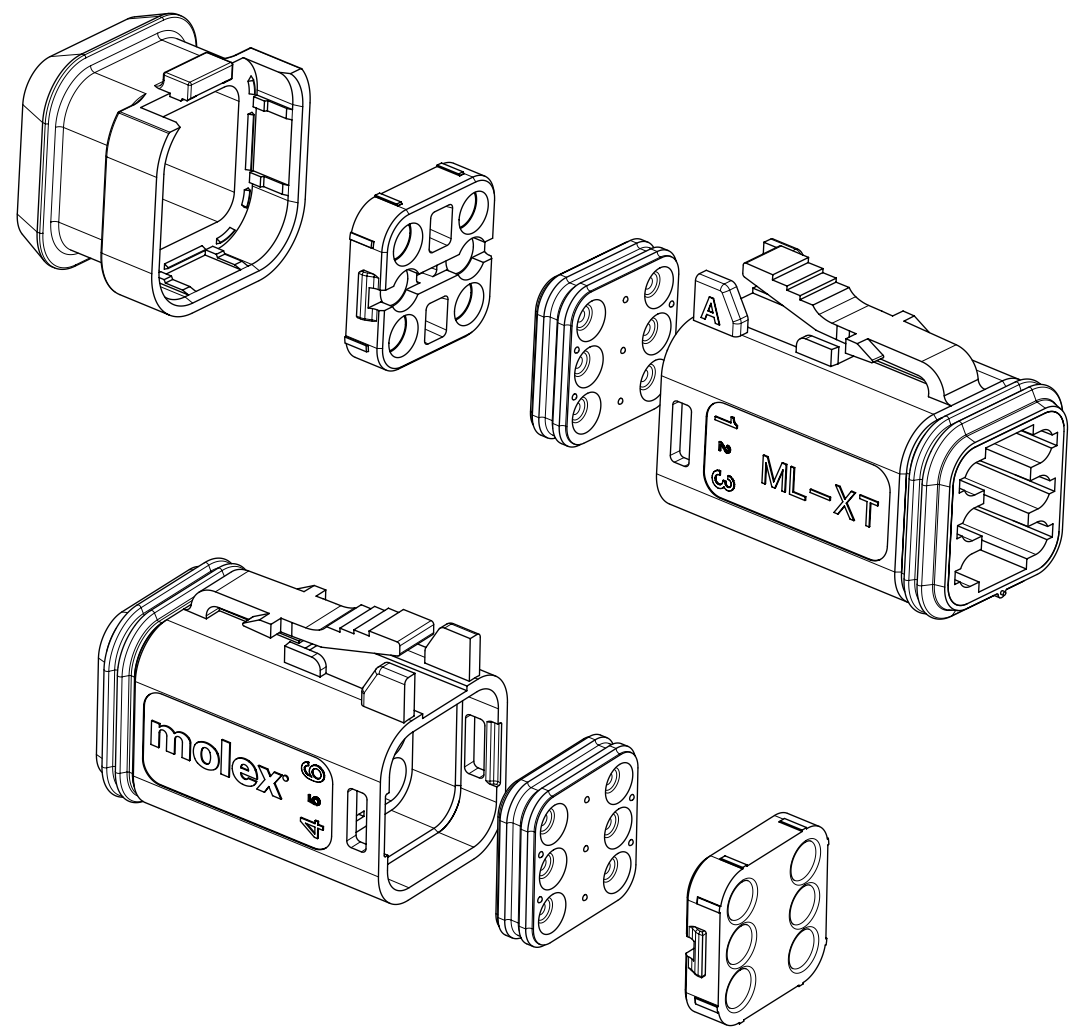
6CCT PLUG CONNECTOR WITH HEATSHRINK HOUSING ULTRASONICALLY WELDED IN PLACE



NOTES

- MATERIAL:
HOUSING: NYLON 30% GF
PLUG SEAL: SILICONE RUBBER
BACK SEAL: HIGH CONSISTENCY RUBBER
- CIRCUIT IDENTIFICATION
- JACKET RANGE LARGE = Ø2.7MM TO 3.6MM (SEAL COLOUR: LIGHT BLUE)
JACKET RANGE SMALL = Ø1.4MM TO 2.7MM (SEAL COLOUR: BURNT ORANGE)
- SEE SHEET 6 FOR FINAL PART NUMBER DESIGNATION
- LATCH TO BE FULLY ENGAGED IN WINDOW
INSPECTION NUMBERS 101-150 RESERVED FOR SHEET 5
LAST INSPECTION NUMBER 105

THIS DRAWING CONTAINS INFORMATION THAT IS PROPRIETARY TO MOLEX ELECTRONIC TECHNOLOGIES, LLC AND SHOULD NOT BE USED WITHOUT WRITTEN PERMISSION									
QUALITY SYMBOLS	EC NO: 110489 DRWN: JFLETCHER CHK'D: FDUGGAN APPR: JDWALLACE	2016/11/16 2016/11/18 2017/01/03	GENERAL TOLERANCES (UNLESS SPECIFIED)		DIMENSION UNITS	SCALE			
			ANGULAR TOL ± 2.0 °		MM	1.5:1			
▽A = 0	SEE LONG TEXT	A2	4 PLACES ±	DRAFT WHERE APPLICABLE MUST REMAIN WITHIN DIMENSIONS	DRWN BY	DATE	6CCT ML-XT CV CONNECTOR		
▽E = 0			3 PLACES ±		JFLETCHER	2015/11/04			
▽F = 0			2 PLACES ± 0.1		CHK'D BY	DATE	PRODUCT CUSTOMER DRAWING		
▼ = 0			1 PLACE ± 0.2		FDUGGAN	2015/12/07			
▽C = 0			0 PLACES ±		APPR BY	DATE	SERIES	MATERIAL NUMBER	CUSTOMER
⊗ = 0					JDWALLACE	2015/12/08	93443	SEE CHART	GENERAL MARKET
■ = 0				DOCUMENT NUMBER	DOC TYPE	DOC PART	SHEET NUMBER		
▽ = 0				A3	934430040	PSD	000	5 OF 7	



6CCT PLUG CONNECTOR

93445 4 - --

SERIES No. _____

CIRCUIT SIZE
4 = 6CCT

ASSEMBLY OPTIONS:

- 1 = PLUG ASSEMBLY FOR WIRE JACKET RANGE: Ø1.4mm-2.7mm (NOTE 2)
- 2 = PLUG ASSEMBLY FOR WIRE JACKET RANGE: Ø2.7mm-3.6mm (NOTE 2)
- 5 = PLUG ASSEMBLY & HEATSHRINK FOR WIRE JACKET RANGE: Ø1.4mm-2.7mm
- 6 = PLUG ASSEMBLY & HEATSHRINK FOR WIRE JACKET RANGE: Ø2.7mm-3.6mm

COLOUR

- 01=BLACK
- 02=GREY 06=WHITE
- 03=GREEN 07=BROWN
- 04=BLUE 08=ORANGE
- 05=YELLOW 09=RED

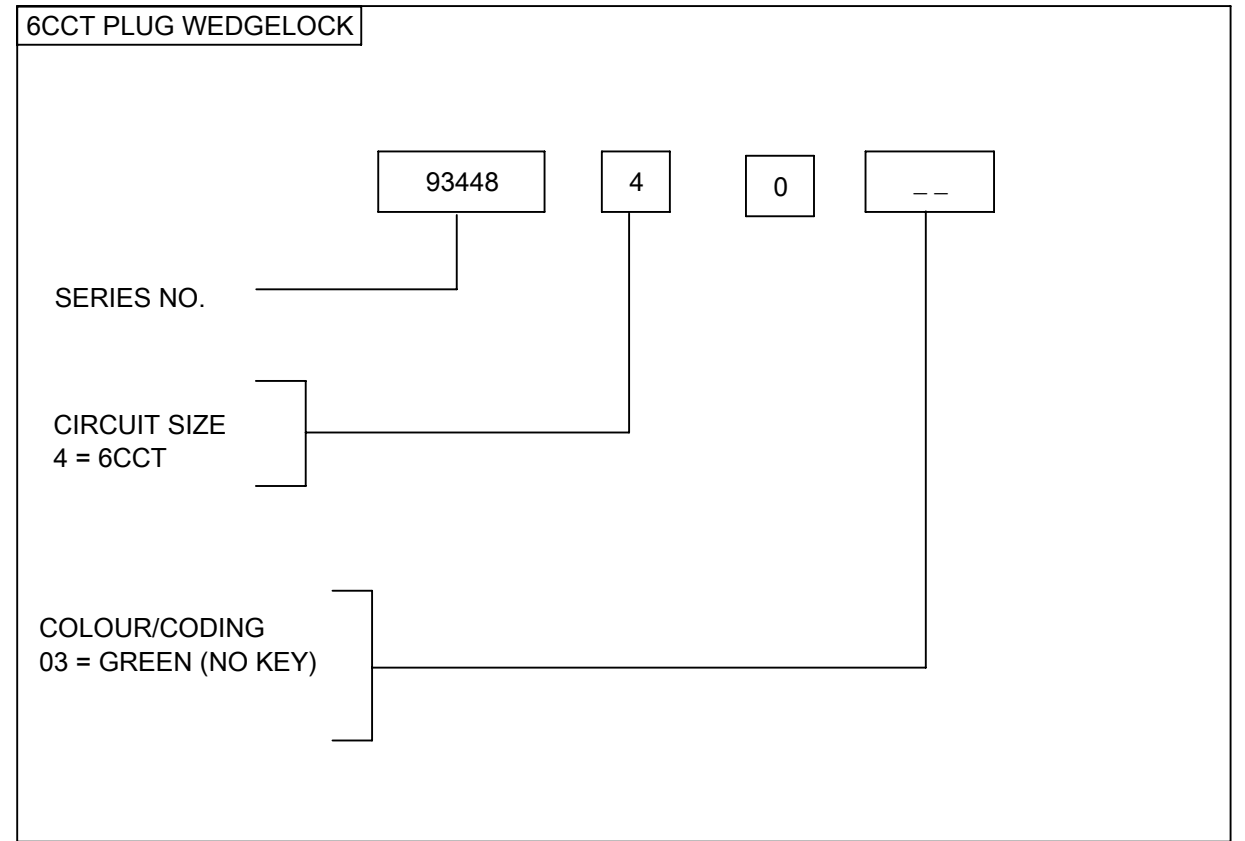
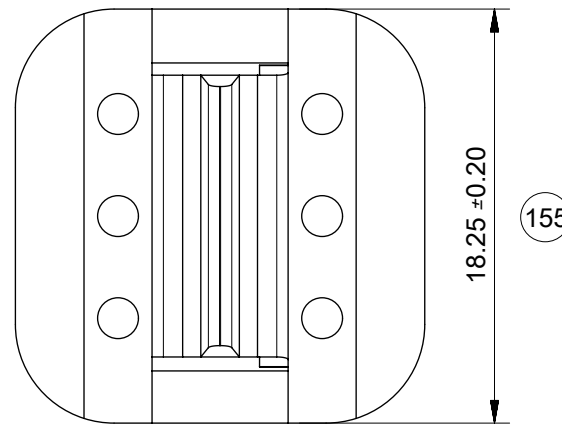
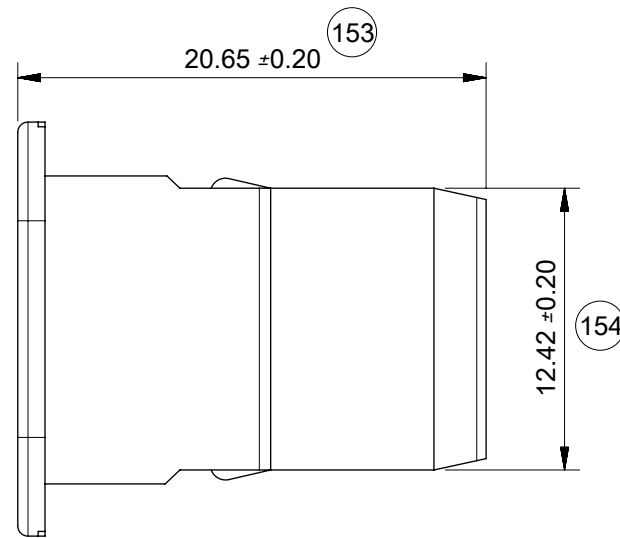
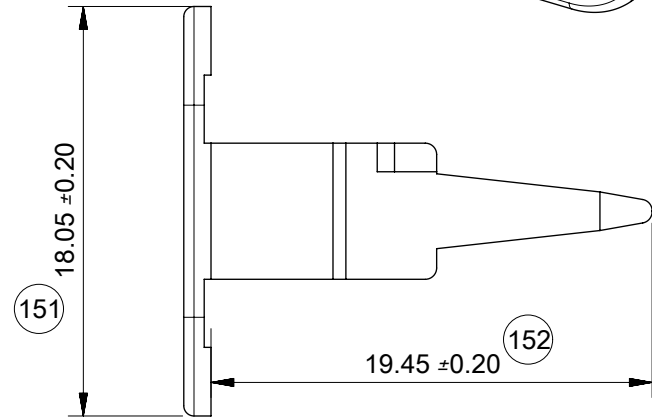
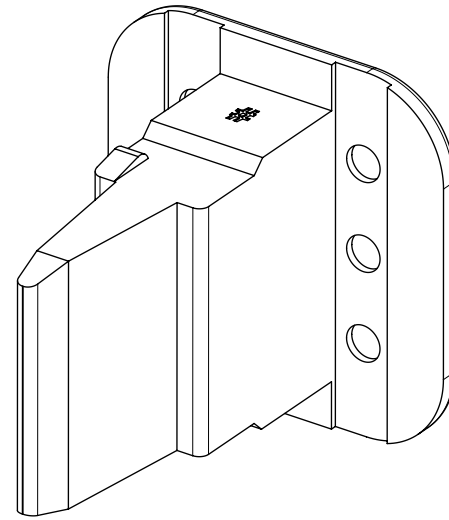
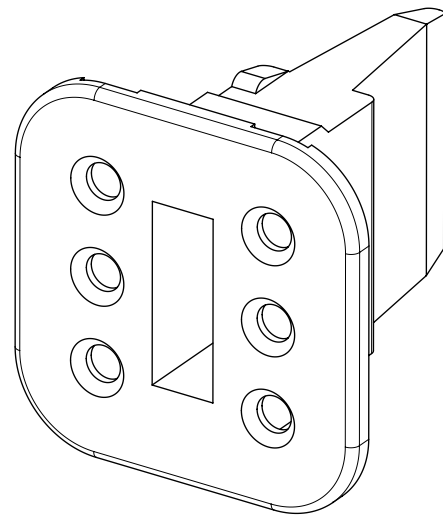
EXAMPLE:

6cct PLUG BLACK WITH LARGE SEAL AND HEATSHRINK = 93444-4601

NOTES

- 1. SEE SHEET 5 FOR UNSPECIFIED NOTES AND DIMENSIONS
- 2. BACK COVER HOUSING COLOUR BLACK
- 3. HEATSHRINK HOUSING COLOUR BLACK

THIS DRAWING CONTAINS INFORMATION THAT IS PROPRIETARY TO MOLEX ELECTRONIC TECHNOLOGIES, LLC AND SHOULD NOT BE USED WITHOUT WRITTEN PERMISSION															
QUALITY SYMBOLS ▽A = 0 ▽E = 0 ▽F = 0 ▼ = 0 ▽C = 0 ⊗ = 0 ■ = 0 ▽ = 0	SEE LONG TEXT EC NO: 110489 DRWN: JFLETCHER CHK'D: FDUGGAN APPR: JDWALLACE	GENERAL TOLERANCES (UNLESS SPECIFIED)		DIMENSION UNITS	SCALE										
		ANGULAR TOL ± 2.0 °		MM	1:1										
		4 PLACES ±		DRWN BY	DATE	6CCT ML-XT CV CONNECTOR									
		3 PLACES ±		JFLETCHER	2015/11/04										
		2 PLACES ± 0.1		CHK'D BY	DATE	PRODUCT CUSTOMER DRAWING									
1 PLACE ± 0.2		FDUGGAN	2015/12/07												
0 PLACES ±		APPR BY	DATE	DRAWING SIZE		THIRD ANGLE PROJECTION		SERIES		MATERIAL NUMBER		CUSTOMER			
DRAFT WHERE APPLICABLE MUST REMAIN WITHIN DIMENSIONS		A2	A3	A3				93443		SEE CHART		GENERAL MARKET			
		REV						DOCUMENT NUMBER		DOC TYPE		DOC PART		SHEET NUMBER	
								934430040		PSD		000		6 OF 7	



NOTES
 1. MATERIAL
 HOUSING: NYLON 30%GF
 INSPECTION No's 151-200 RESERVED FOR SHEET 7
 LAST INSPECTION No. 155

THIS DRAWING CONTAINS INFORMATION THAT IS PROPRIETARY TO MOLEX ELECTRONIC TECHNOLOGIES, LLC AND SHOULD NOT BE USED WITHOUT WRITTEN PERMISSION											
QUALITY SYMBOLS ▽A = 0 ▽E = 0 ▽F = 0 ▼ = 0 ▽C = 0 ⊗ = 0 ■ = 0 ▽ = 0		SEE LONG TEXT EC NO: 110489 DRWN: JFLETCHER CHK'D: FDUGGAN REV APPR: JDWALLACE		GENERAL TOLERANCES (UNLESS SPECIFIED) ANGULAR TOL ± 2.0 ° 4 PLACES ± 3 PLACES ± 2 PLACES ± 0.1 1 PLACE ± 0.2 0 PLACES ±		DRAFT WHERE APPLICABLE MUST REMAIN WITHIN DIMENSIONS		DIMENSION UNITS: MM SCALE: 3:1		molex 6CCT ML-XT CV CONNECTOR	
DRWN BY: JFLETCHER DATE: 2016/11/16 CHK'D BY: FDUGGAN DATE: 2016/11/18 APPR BY: JDWALLACE DATE: 2017/01/03				DRWN BY: JFLETCHER DATE: 2015/11/04		CHK'D BY: FDUGGAN DATE: 2015/12/07		APPR BY: JDWALLACE DATE: 2015/12/08		PRODUCT CUSTOMER DRAWING	
SERIES: 93443		MATERIAL NUMBER: SEE CHART		CUSTOMER: GENERAL MARKET		DRAWING SIZE: A3		THIRD ANGLE PROJECTION		DOCUMENT NUMBER: 934430040	
DOC TYPE: PSD		DOC PART: 000		SHEET NUMBER: 7 OF 7		RELEASE STATUS: ER		RELEASE DATE: 18.11.2016		14:27:41	