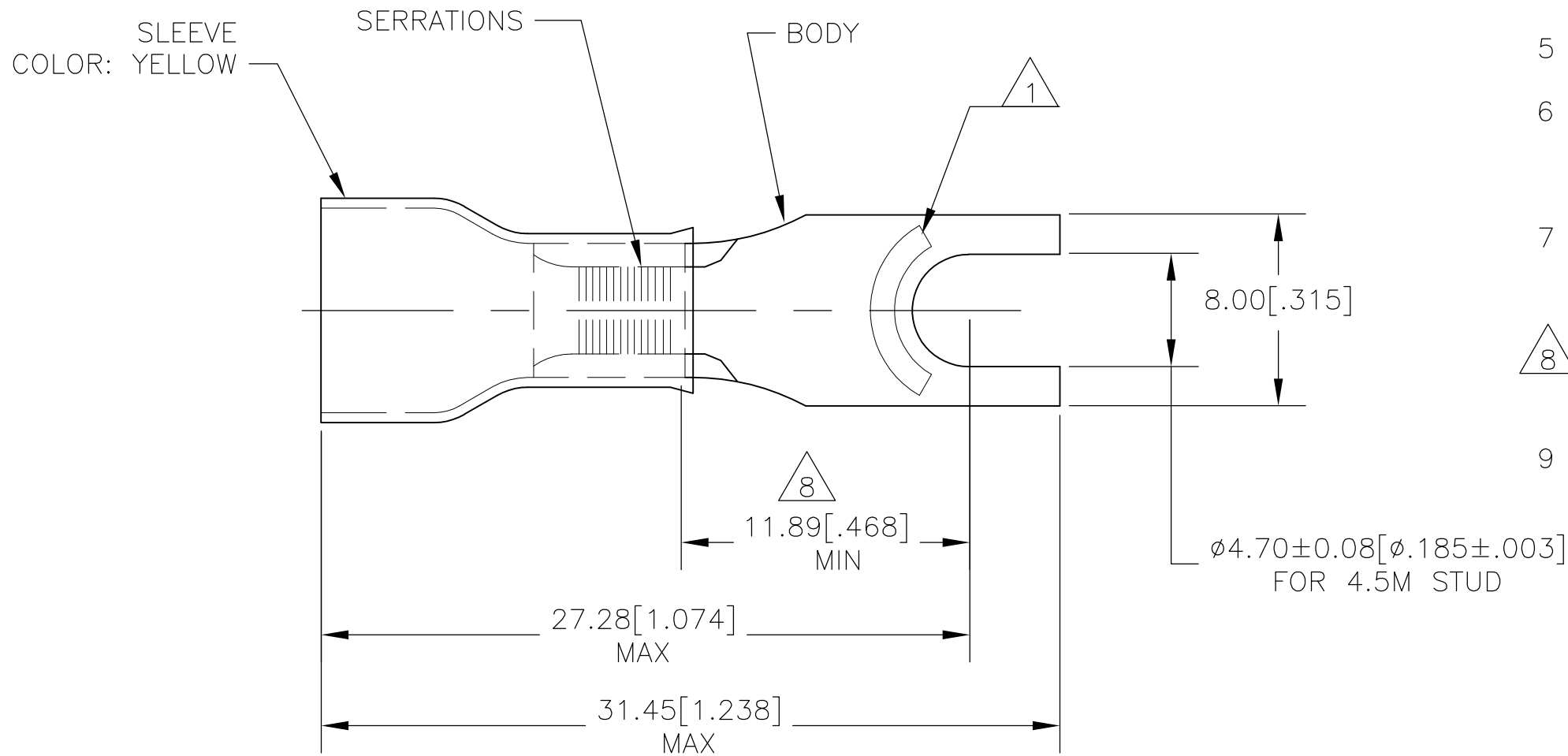


THIS DRAWING IS UNPUBLISHED. RELEASED FOR PUBLICATION  
 © COPYRIGHT - By - ALL RIGHTS RESERVED.

LOC	DIST	REVISIONS					
		P	LTR	DESCRIPTION	DATE	DWN	APVD
G	14		B2	REVISED PER ECO-11-020548	02FEB12	KH	DR

- 1 STAMP "AMP 12-10\*", LOCATION APPROX AS SHOWN.
- 2 WIRE INSULATION DIA 3.8-6.4
- 3 OPERATING TEMPERATURE 90°C MAX
- 4 VOLTAGE RATING 600V MAX
- 5 CMA 2.62-6.64mm<sup>2</sup> [5,180-13,100]
- 6 MATERIAL:  
BODY - COPPER PER ASTM B-152  
INSULATION - PVC
- 7 FINISH:  
BODY - TIN PL PER ASTM B-545  
INSULATION - COLOR-YELLOW
- 8 APPLIES FROM EDGE OF METAL WIRE BARREL TO CENTER OF STUD HOLE.
- 9 MATERIAL THICKNESS IS 1.00±0.05[.0393±.002]



OBSOLETE	-	REEL, ON TAPE	2-165015-1
	500	LOOSE PIECE	165015
	QTY	PACKAGE TYPE	PART NO

THIS DRAWING IS A CONTROLLED DOCUMENT.		DWN jr_ruth 20FEB06	TE Connectivity	
DIMENSIONS: mm [INCHES]		CHK T MICHELUTTI 20FEB06		
TOLERANCES UNLESS OTHERWISE SPECIFIED:		APVD T MICHELUTTI 20FEB06	NAME TERMINAL SPADE, PLASTI-GRIP, WIRE SIZE 12:10	
0 PLC ± -		PRODUCT SPEC	-	
1 PLC ± -		APPLICATION SPEC	-	
2 PLC ± 0.20[.008]		WEIGHT	-	
3 PLC ± -		CUSTOMER DRAWING	SIZE A3	CAGE CODE 00779
4 PLC ± -		FINISH	DRAWING NO C-165015	RESTRICTED TO -
ANGLES ± 5°			SCALE 4:1	SHEET 1 OF 1
MATERIAL -			REV B2	