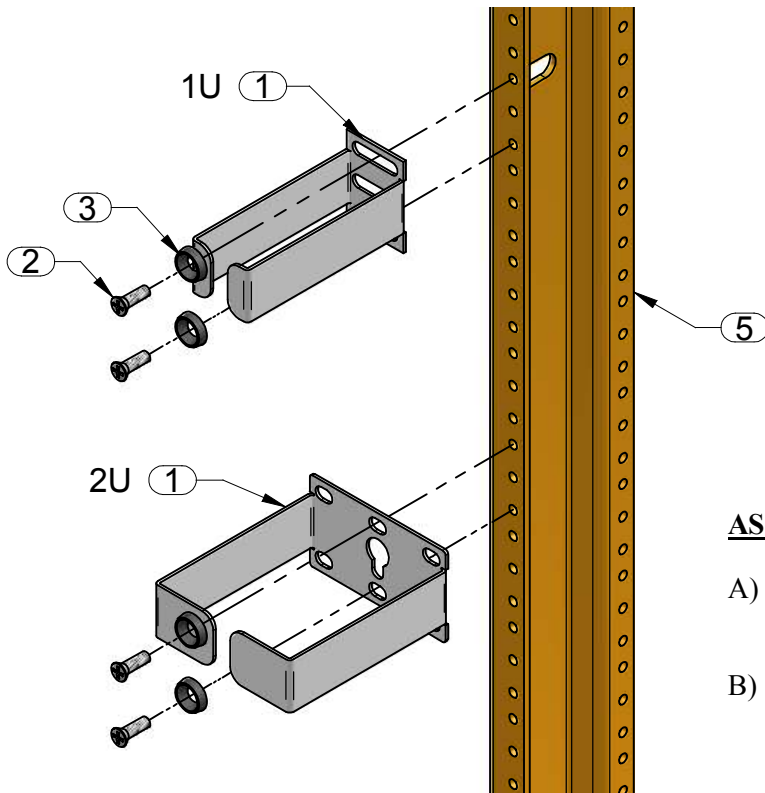
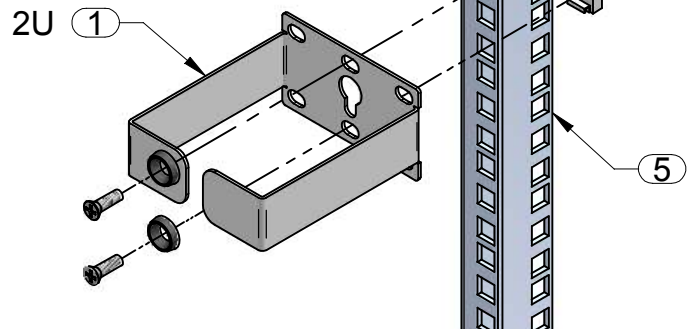
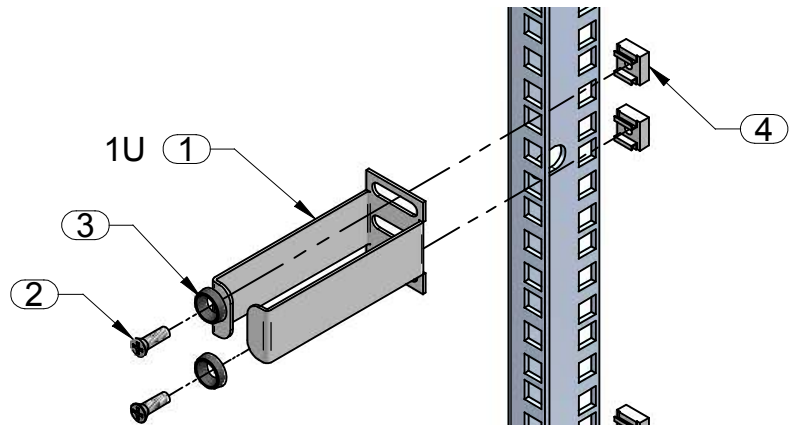


COMPLETE ASSEMBLY



### ASSEMBLY INSTRUCTIONS:

- Select the height at which to mount the single cable ring (item 1) on the combination rail (item 5).
- If mounting rails have square cutouts insert 2 cage nuts (item 4) at desired height. This can be done using a cage nut insertion tool.
- Line up the mounting slots on the single cable ring (item 1) with holes on the combination rail (item 5). Using 4 screws and washers (items 2 & 3) purchased for the combination rail secure the single cable ring to the combination rail.

### PARTS LIST

ITEM No.	DESCRIPTION	QTY
1	SINGLE CABLE RING (1U OR 2U)	1
2	SCREWS (NOT INCLUDED)	4
3	WASHERS (NOT INCLUDED)	4
4	CAGE NUTS (NOT INCLUDED)	4
5	COMBINATION RAILS (NOT INCLUDED)	1

#### TOOL BOX



#2 Phillips Head  
Screw Driver

