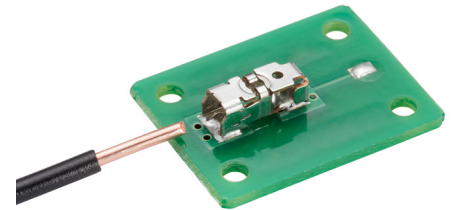


Lite-Trap Contact Terminal



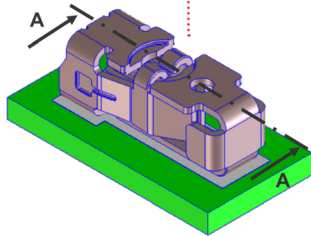
Contact Terminal version of Lite-Trap Connector is a low-cost, low-profile dual-contact design with wire stopper and wire release button, making it ideal for cost-competitive and narrow space requirements of global LED lighting market.

Features and Benefits

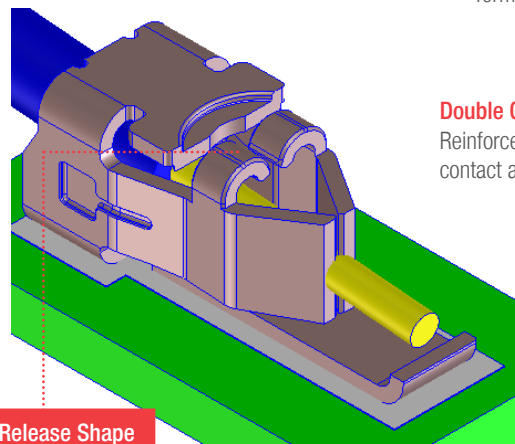


Single Circuit Lite-Trap Contact Terminal

Contact-Terminal-Only Version
Meets the requirement of low-cost and narrow space

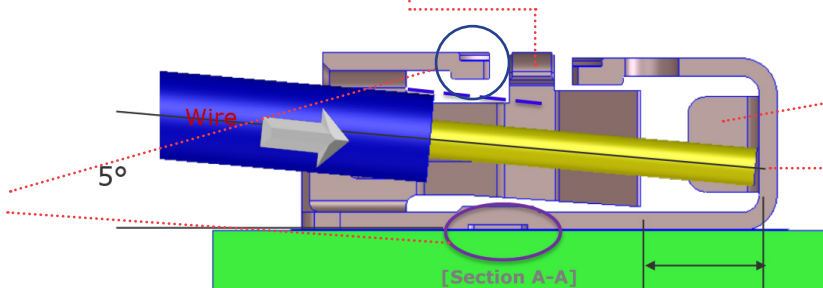


Double Contact Terminal Design
Reinforced physical and electrical contact assurance



Wire Release Shape

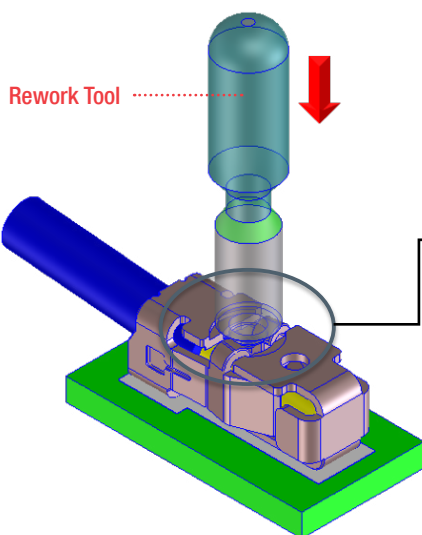
Engraving Shape
Stopper function by jig
Improve PCB Retention Force



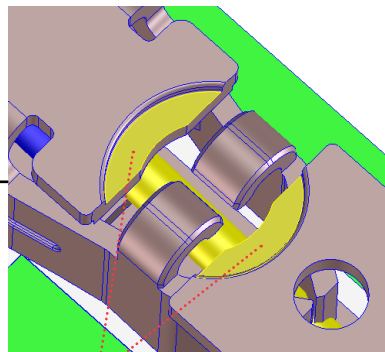
Guide
Prevent Wire Movement

Wire Stopper
Avoid damage by wire insertion

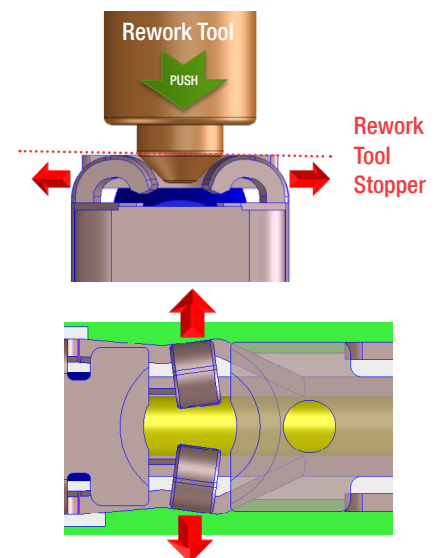
2.0mm
Valid Pressure Distance



[Rework Tool Insert Area]



When releasing wire
Guiding Rework Tool insertion
Circled shape to prevent from terminal deformation



Two 'r' shapes are widened by pushing by rework tool in order to release the wire

Lite-Trap Contact Terminal



Applications

Connected Lighting

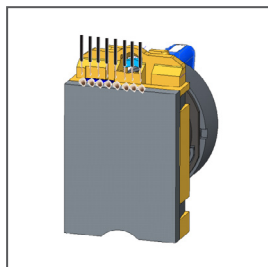
- LED Driver
- Linear lighting module
- Down lighting module

Connected Home

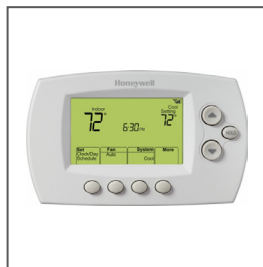
- Thermostat

Industrial

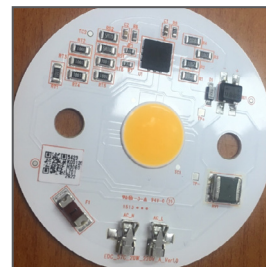
- PCB Charge Controller



PCB Charge Controller



Thermostat



Down Lighting Module

Specifications

CONFIGURATION

Lite-Trap Contact Terminal (1 circuit)

ELECTRICAL

Voltage (max.): 300V
Current (max.): 7.0A
Contact Resistance: 10 Milliohms
Temperature Rise (max.): 40°C

PHYSICAL

Circuit Size: 1 circuit
Locking Type: Double Contact
Wire Gauge Range:
Solid Wire: AWG#24 (0.2mm²) to #18 (0.8mm²)
Stranded Wire: AWG#22 (0.45mm²) to #20 (0.7mm²)
Plating: Tin-plated
Wire Strip Length: 5.0 +/- 0.50mm
Resin Material: Copper Alloy
Operating Temperature: -60 to +130°C

Ordering Information

Series No.	Description	Packaging
203863-8103	Lite-Trap Contact Terminal 1 circuit	Embossed Tape (3.5Kpcs/Reel, 28Kpcs/8Reels)

www.molex.com/link/litetrp.html

Molex is a registered trademark of Molex, LLC in the United States of America and may be registered in other countries; all other trademarks listed herein belong to their respective owners.