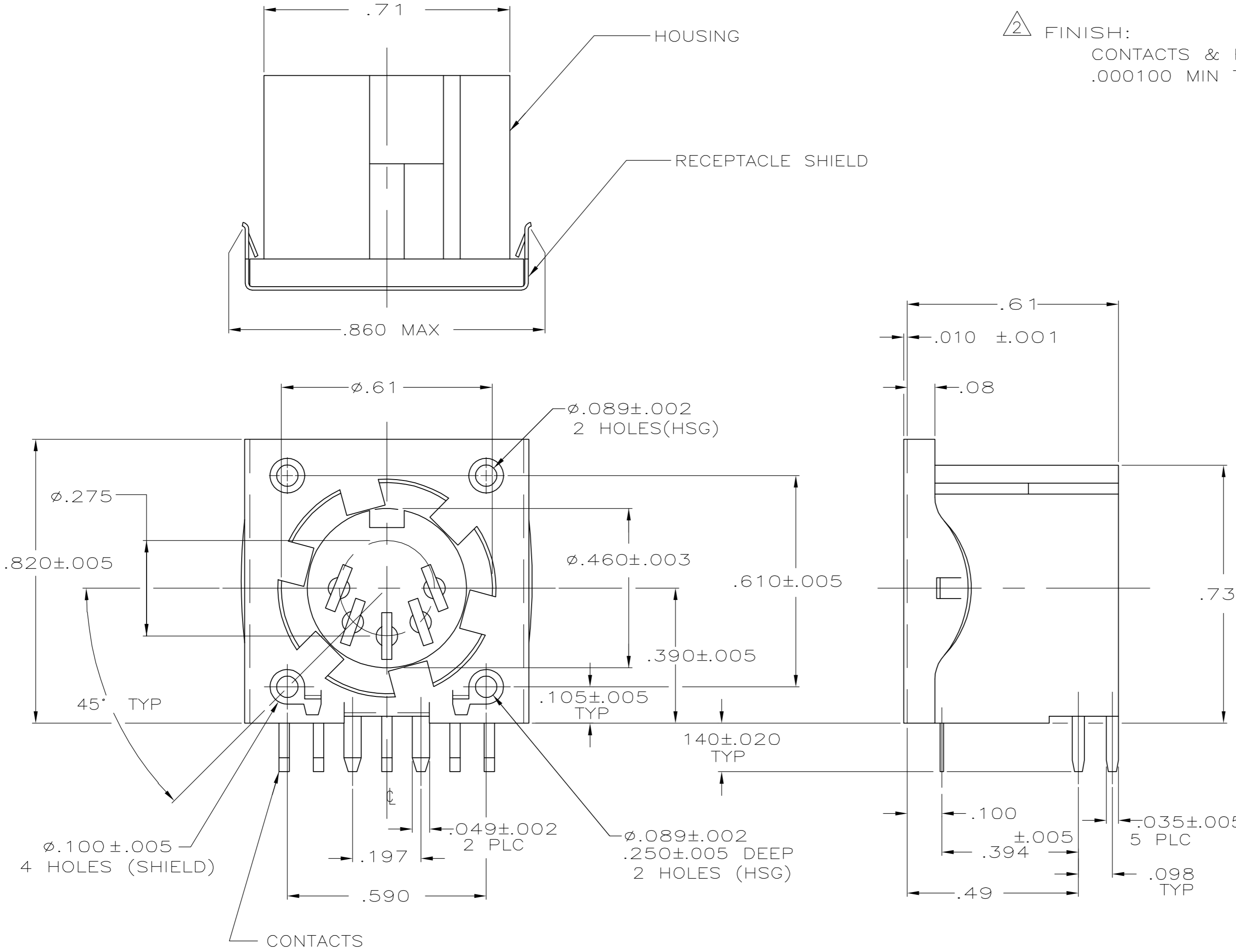


THIS DRAWING IS UNPUBLISHED. RELEASED FOR PUBLICATION
 © COPYRIGHT BY TYCO ELECTRONICS CORPORATION. ALL RIGHTS RESERVED.

LOC		DIST		REVISIONS			
P	LTR	DESCRIPTION		DATE	DWN	APVD	
GP	00	01		REVISED PER ECO-07-008008	10APR07	JDP/CWR	

1 MATERIAL:
 CONTACTS & RECEPTACLE SHIELD: BRASS
 HOUSING: GLASS FILLED NYLON, UL 94V-0 RATED, BLACK

2 FINISH:
 CONTACTS & RECEPTACLE SHIELD:
 .000100 MIN TIN OVER .000050 MIN NICKEL



5520904-1
 PART NO

THIS DRAWING IS A CONTROLLED DOCUMENT.		DWN L. VARELA - DOCK5 11-12-04	tyco Tyco Electronics Corporation Harrisburg, PA 17105-3608	
DIMENSIONS: mm [INCHES]		CHK C. ROHDE 11-12-04	NAME M. WALMSLEY 11-12-04	
TOLERANCES UNLESS OTHERWISE SPECIFIED:		APVD M. WALMSLEY 11-12-04	PRODUCT SPEC	
0 PLC \pm -		APPLICATION SPEC		
1 PLC \pm -		114-2105		
2 PLC \pm -		WEIGHT -		
3 PLC \pm .01		SIZE A2		
4 PLC \pm .010		CAGE CODE 00779		
ANGLES \pm 0° 30'		DRAWING NO C=5520904		
FINISH		RESTRICTED TO -		
1		SCALE 4:1 SHEET 1 of 1 REV 01		
2		CUSTOMER DRAWING		