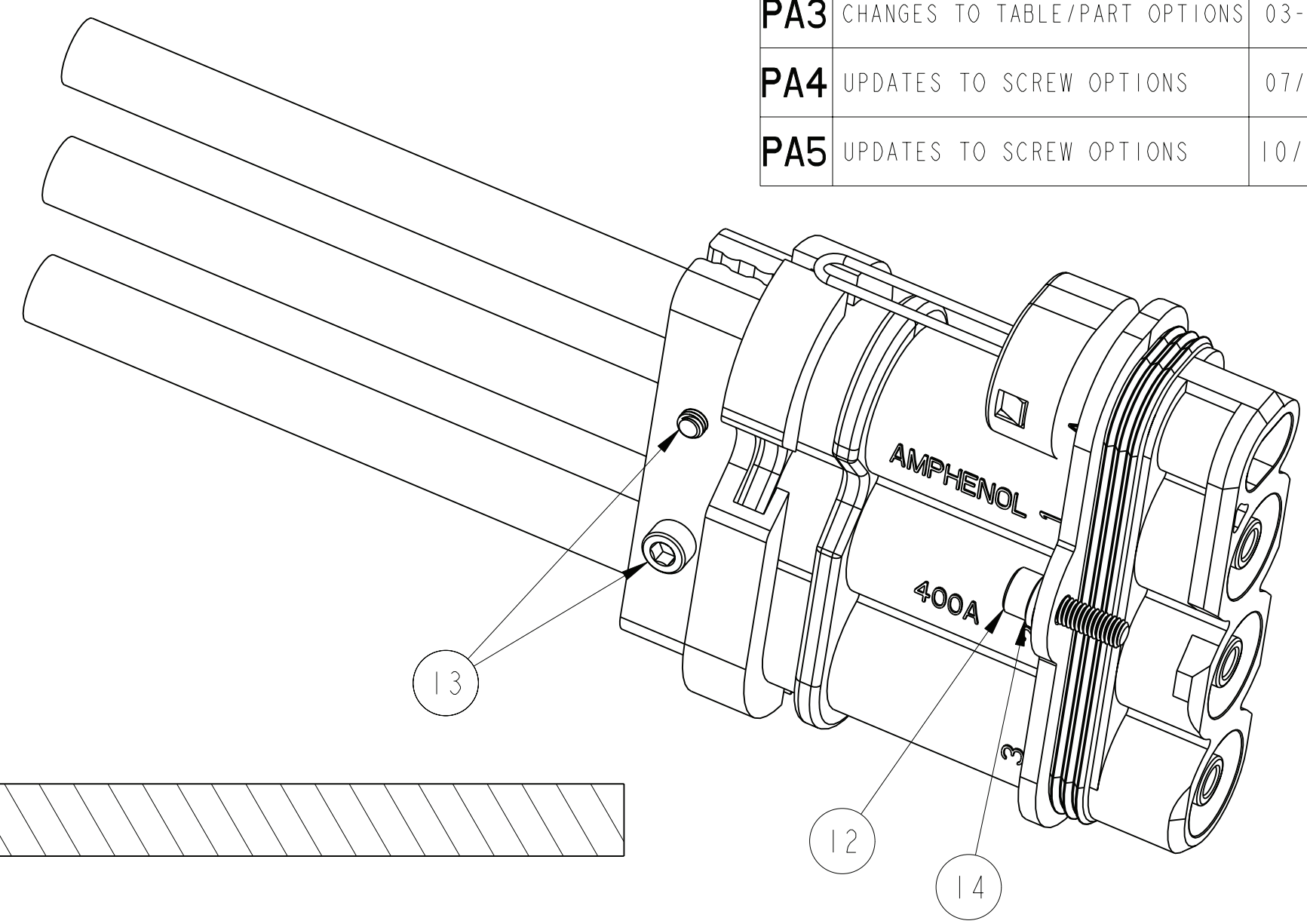
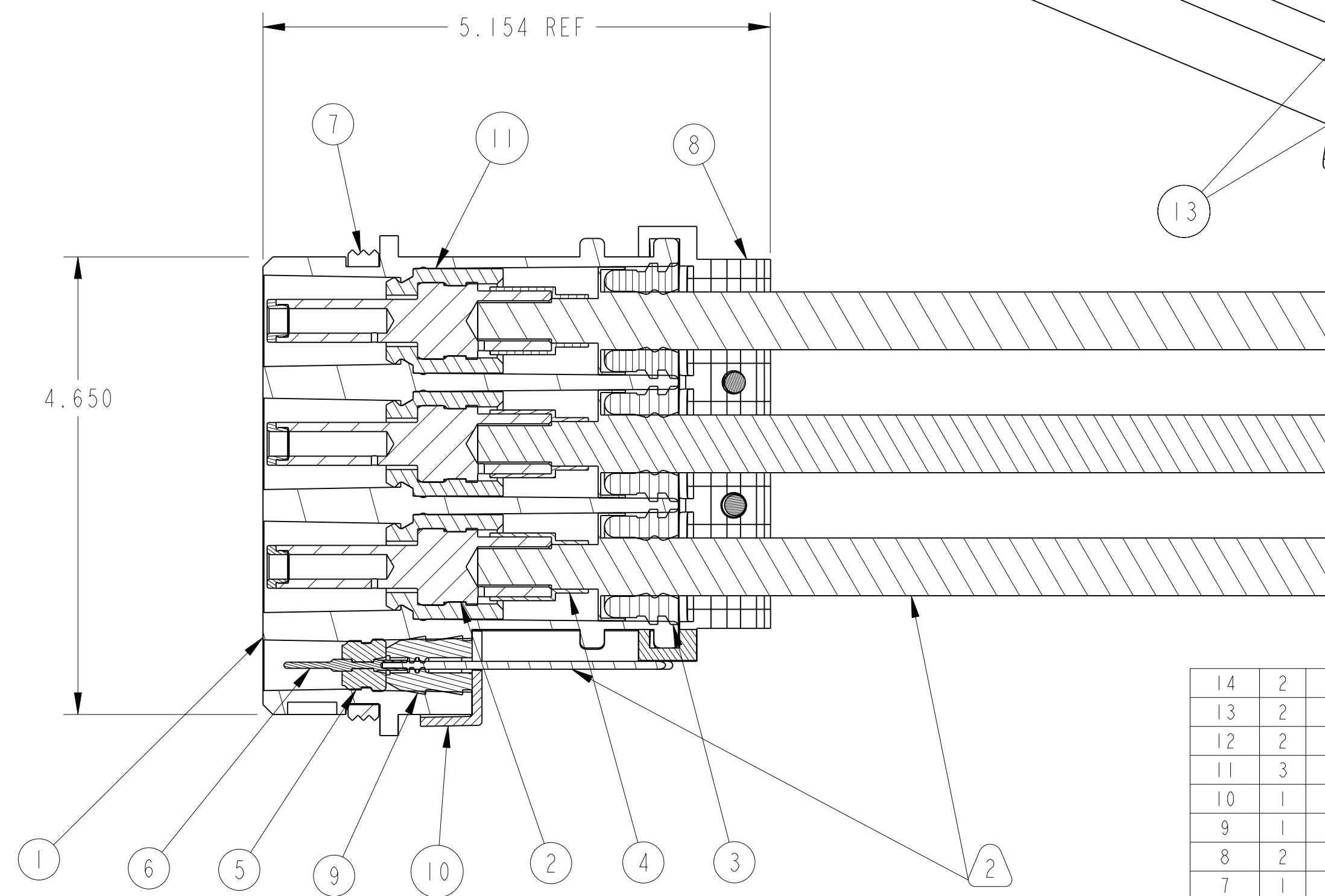
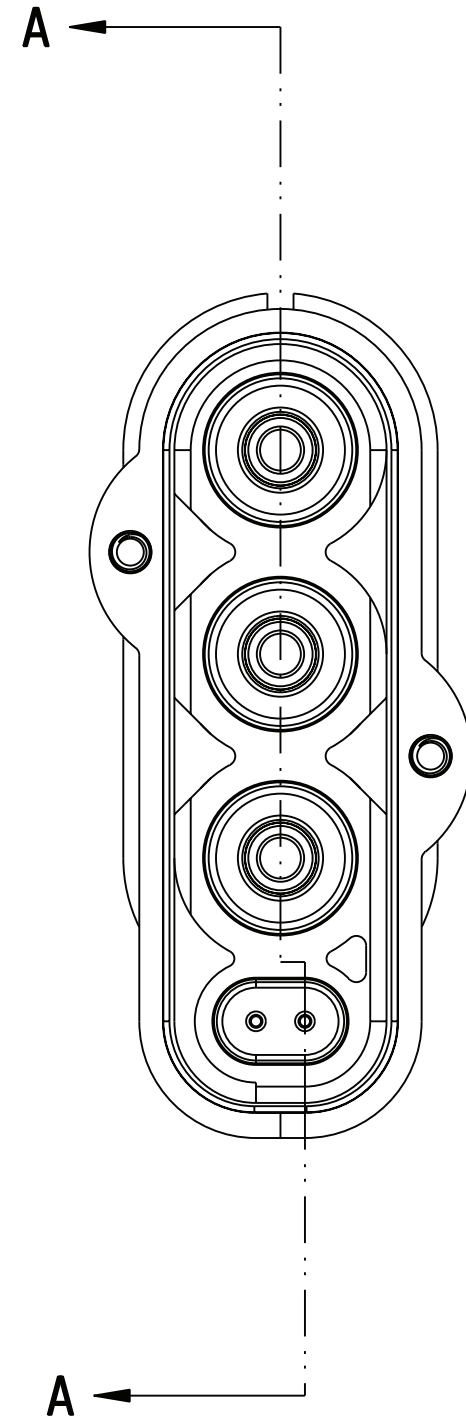


REV. PA5	SHEET 1 OF 6	DOCUMENT NO. 10-643579
REVISIONS		
LTR	DESCRIPTION	DATE
PA3	CHANGES TO TABLE/PART OPTIONS	03-17-11
PA4	UPDATES TO SCREW OPTIONS	07/01/11
PA5	UPDATES TO SCREW OPTIONS	10/24/11

DOCUMENT NO. 10-643579
SHEET 1 OF 6
REV. PA5



POS	QTY	PART NUMBER	DESCRIPTION	NOTE
14	2	10-643751-000	LOCK WASHER - M6	
13	2	10-643752-002	SCREW M6x1 - 30mm LONG	
12	2	10-643758-002	SCREW M6x1 - 20mm LONG	
11	3	10-643730-000	11.1mm PIN INSULATION	
10	1	10-643757-000	SIGNAL GROMMET COVER	
9	1	10-643754-000	SIGNAL GROMMET	
8	2	SEE TABLE	CABLE CLAMP	1
7	1	10-643742-000	BARREL SEAL	
6	2	10-040557-000	SIGNAL CONTACT, SIZE 16	
5	1	10-643738-000	SIGNAL CONTACT INSERT	
4	SEE NOTE 3	SEE TABLE	HEAT SHRINK TUBING	1/3
3	3	SEE TABLE	POWER CABLE GROMMET	1
2	3	SEE TABLE	11.1mm PIN CONTACT ASSM	1
1	1	SEE TABLE	PLUG SHELL	1

3. SHRINK TUBE (ITEM #4) TO BE CUT TO (3) 1.00" LENGTHS. TOTAL LENGTH USED PER ASSEMBLY IS 3.00" OR .25FT
2. WIRE TO BE PROVIDED BY CUSTOMER.
1. SEE PAGE 3 FOR PLUG ASSEMBLY OPTIONS AND PART NUMBER VARIATIONS.

NOTES:

THE USE OF THIS DOCUMENT IS UNLIMITED. HOWEVER, DOCUMENTS REFERENCED HEREON MAY CONTAIN LIMITED RIGHTS DATA.

UNLESS OTHERWISE SPECIFIED

LINEAR DIMENSIONS ARE IN INCHES
TOLERANCES:
.XXXX = ±.0005 ANGLES= ±2°
.XXX = ±.010
.XX = ±.03
.X = ±.1

DIM. & TOL. PER ASME Y14.5M;
DRM PER MIL-DTL-31000;
OTHER Amphenol Sds. PER 9-3800

LEGENDS:
= FLAG NOTE CALL OUT REFERENCE ONLY

SPECIFICATIONS	APPROVALS	DATE
MATERIAL SPEC. N/A	PREPARED BY R. BALDWIN ENGINEER IN CHARGE A. POLISHAK DESIGN MANAGER S. FITZGERALD DESIGN ACTIVITY GROUP C & I	03-17-11
PROCESS SPEC. N/A	THIRD ANGLE PROJECTION	

AMPHENOL CORPORATION
40-60 DELAWARE AVENUE
SIDNEY, N.Y. 13838

**PLUG ASSEMBLY
400A - ePower
3-PIN**

SIZE C	CAGE CODE 77820	DOCUMENT NO. 10-643579	REV. PA5
SCALE: 0.9 REF:			SHEET 1 OF 6

N/A	PRO/ENGINEER INFORMATION
N/A	Pro/e Model Used: 10-643579.ASSEM Drawing Name: 10-643579
NEXT ASSEMBLY	

FORMAT: C-U-L-E-REV-B

DOCUMENT NO. 10-643579
SHEET 1 OF 6
REV. PA5

4

3

2

DOCUMENT NO. 10-643579
 SHEET 2 OF 6
 REV. PA5

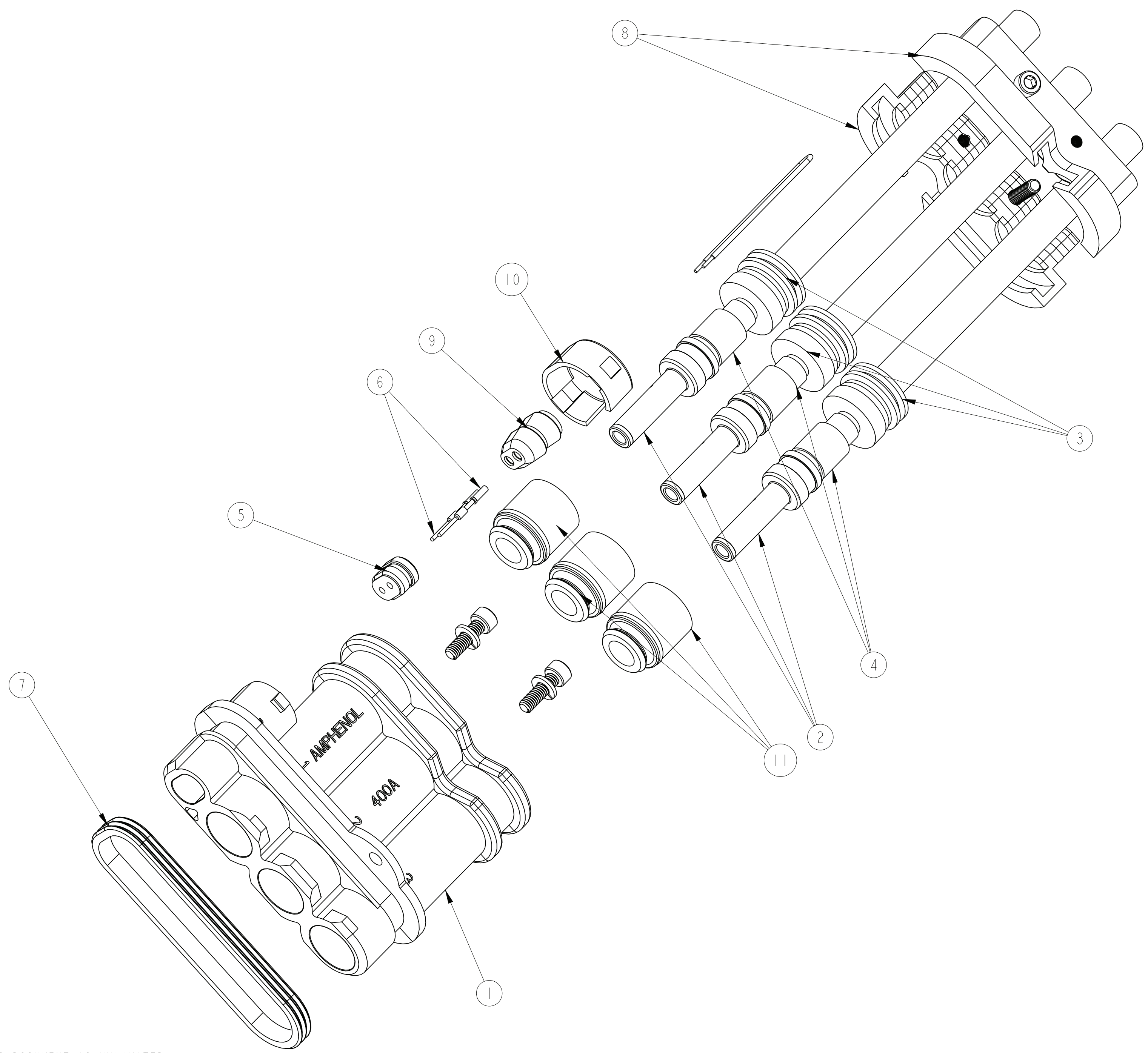
D

C

B

A

DOCUMENT NO. 10-643579
 SHEET 2 OF 6
 REV. PA5



THE USE OF THIS DOCUMENT IS UNLIMITED.
 HOWEVER, DOCUMENTS REFERENCED HEREON
 MAY CONTAIN LIMITED RIGHTS DATA.

SIZE C	CAGE CODE 77820	DOCUMENT NO. 10-643579	REV. PA5
SCALE: 0.8		REF:	SHEET 2 OF 6

3

2

1

KEY CODING TABLE

WIRE SIZE CODING TABLE

KEY CODING	KEY POSITION			ITEM #1 * See Finish Coding
	1	2	3	
1	NO KEY WAY	NO KEY WAY	NO KEY WAY	10-643823-01(*)
2	KEY WAY	NO KEY WAY	NO KEY WAY	10-643823-02(*)
3	KEY WAY	KEY WAY	NO KEY WAY	10-643823-03(*)
4	KEY WAY	KEY WAY	KEY WAY	10-643823-04(*)
5	NO KEY WAY	KEY WAY	NO KEY WAY	10-643823-05(*)
6	NO KEY WAY	KEY WAY	KEY WAY	10-643823-06(*)
7	NO KEY WAY	NO KEY WAY	KEY WAY	10-643823-07(*)
8	KEY WAY	NO KEY WAY	KEY WAY	10-643823-08(*)

WIRE CODING	WIRE SIZE	ITEM #2	ITEM #3	ITEM #4	ITEM #8 * See Finish Coding
2	70mm ²	10-643728-002	10-643729-002	10-643675-007	10-643753-20(*)
3	95mm ²	10-643728-003	10-643729-003	10-643675-008	10-643753-30(*)

CODE LOGIC

10-643579-() () ()

BASE NUMBER

FINISH CODING:
 (I) Electroless Nickel Plate
 (FG) Bright Tin Over Electroless Nickel
 (B) No Plating

KEY CODING:
 See Table

WIRE SIZE CODING:
 See Table

THE USE OF THIS DOCUMENT IS UNLIMITED.
 HOWEVER, DOCUMENTS REFERENCED HEREON
 MAY CONTAIN LIMITED RIGHTS DATA.

SIZE C	CAGE CODE 77820	DOCUMENT NO. 10-643579	REV. PA5
SCALE: 0.9		REF:	SHEET 3 OF 6

DOCUMENT NO. 10-643579

SHEET 3 OF 6

REV. PA5

C

B

A

FORMAT: C-U-L-E-REV-B

D

C

REV. PA5

SHEET 3 OF 6

DOCUMENT NO. 10-643579

A

10-643579

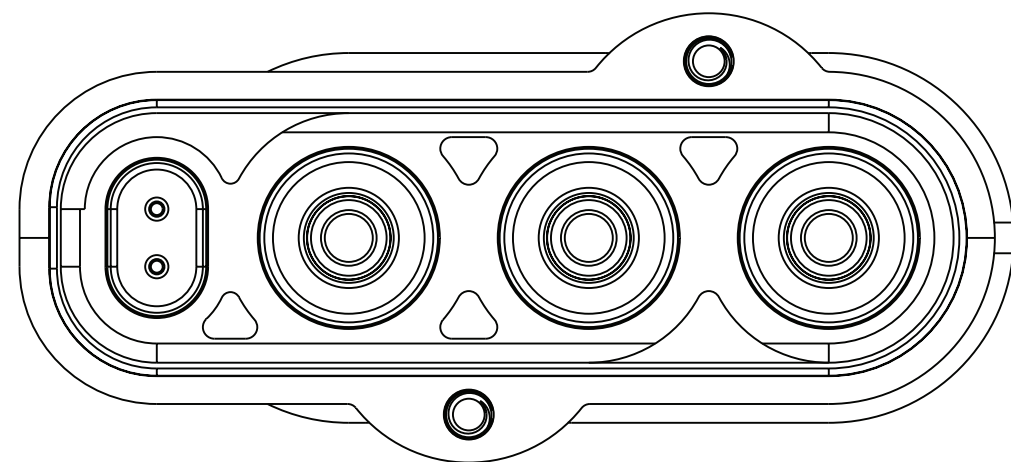
SHEET 4 OF 6

PA5

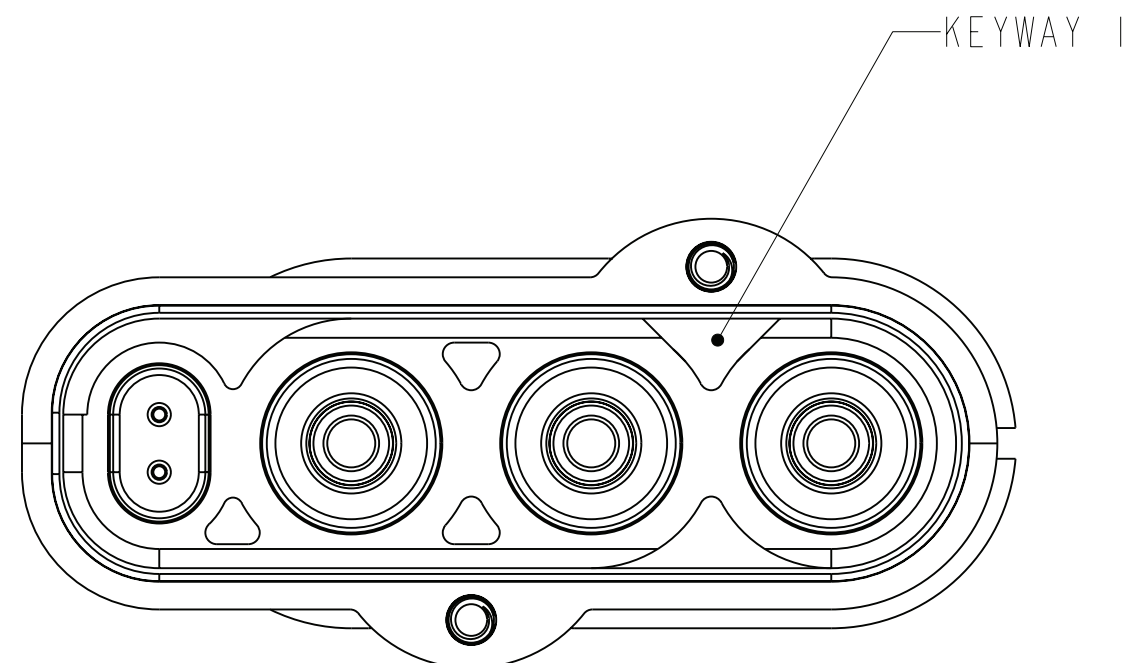
C

B

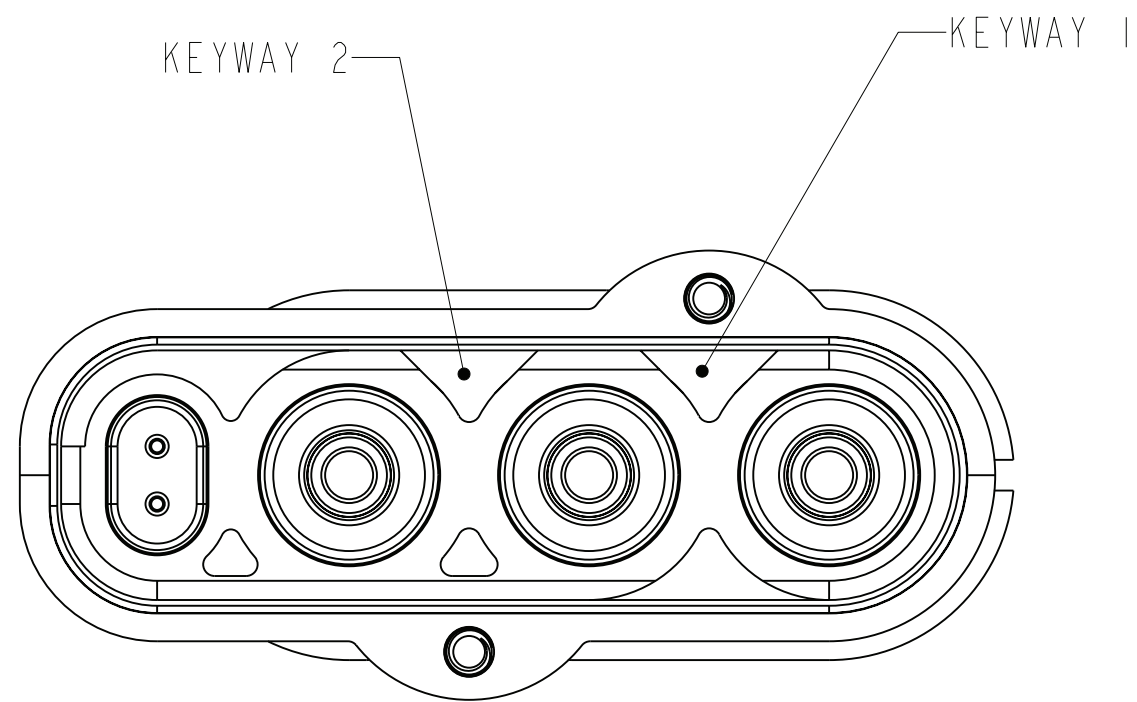
A



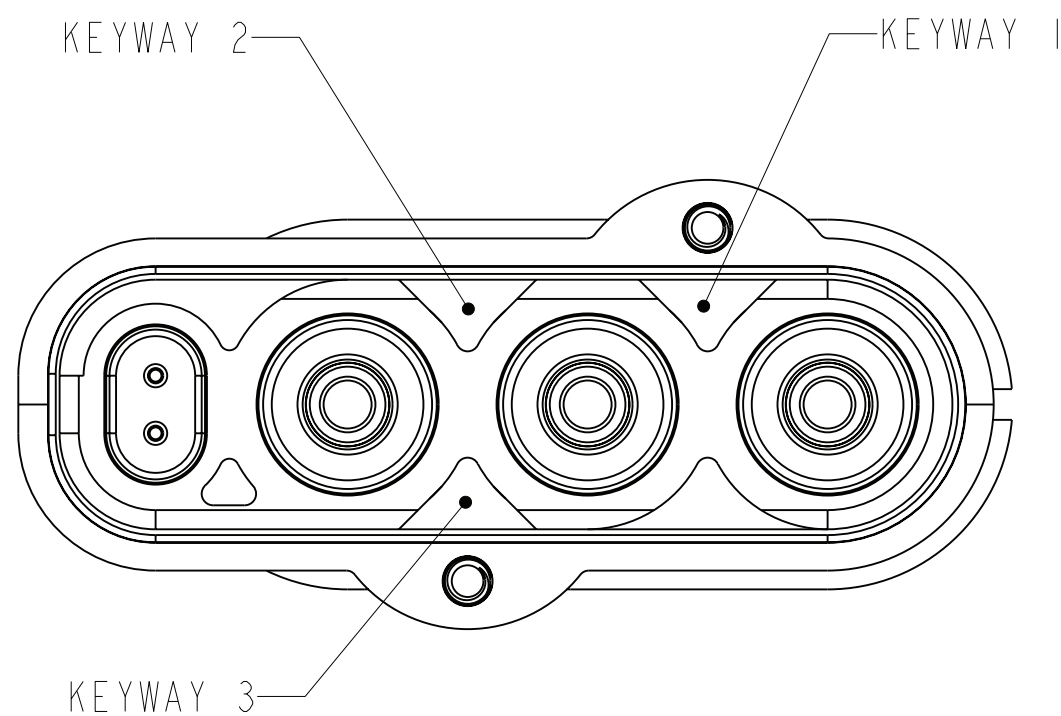
KEY OPTION 1
NO KEYWAYS OPEN



KEY OPTION 2
KEYWAY 1 OPEN



KEY OPTION 3
KEYWAYS 1 AND 2 OPEN



KEY OPTION 4
KEYWAYS 1, 2, AND 3 OPEN

D

C

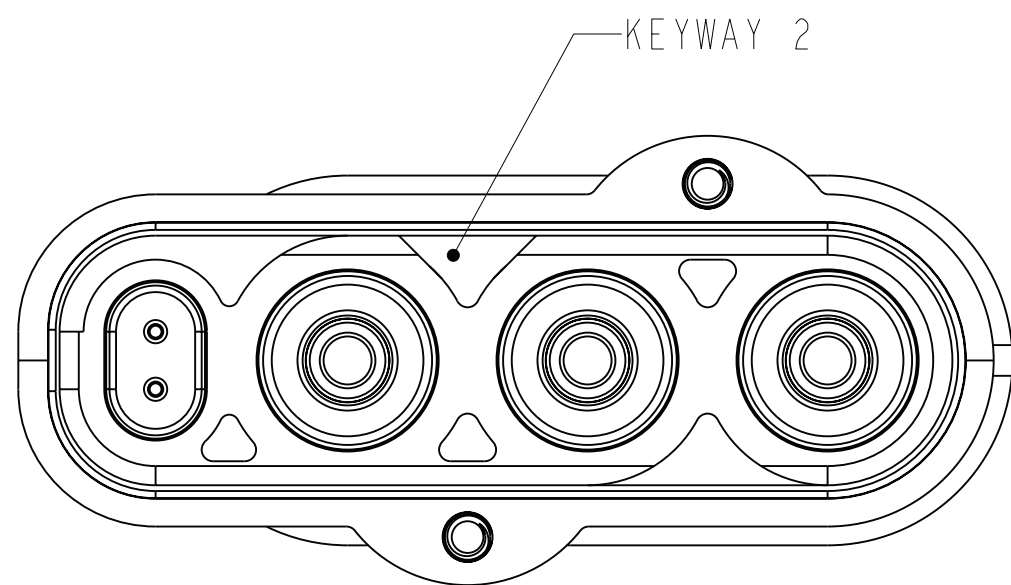
B

A

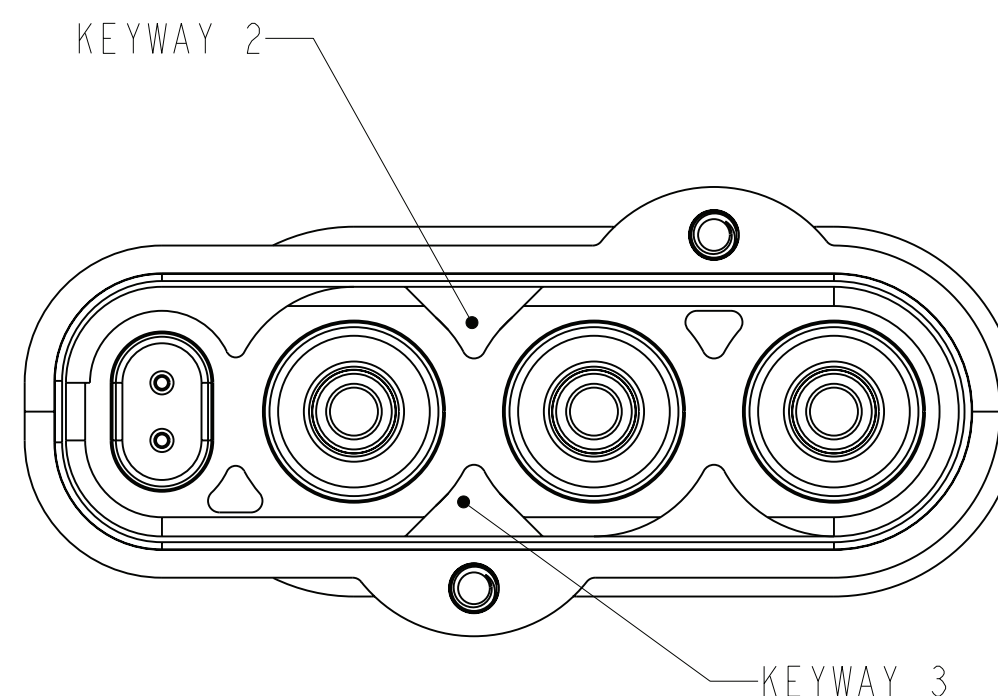
REV
10-643579
SHEET 4 OF 6
PA5

THE USE OF THIS DOCUMENT IS UNLIMITED.
HOWEVER, DOCUMENTS REFERENCED HEREON
MAY CONTAIN LIMITED RIGHTS DATA.

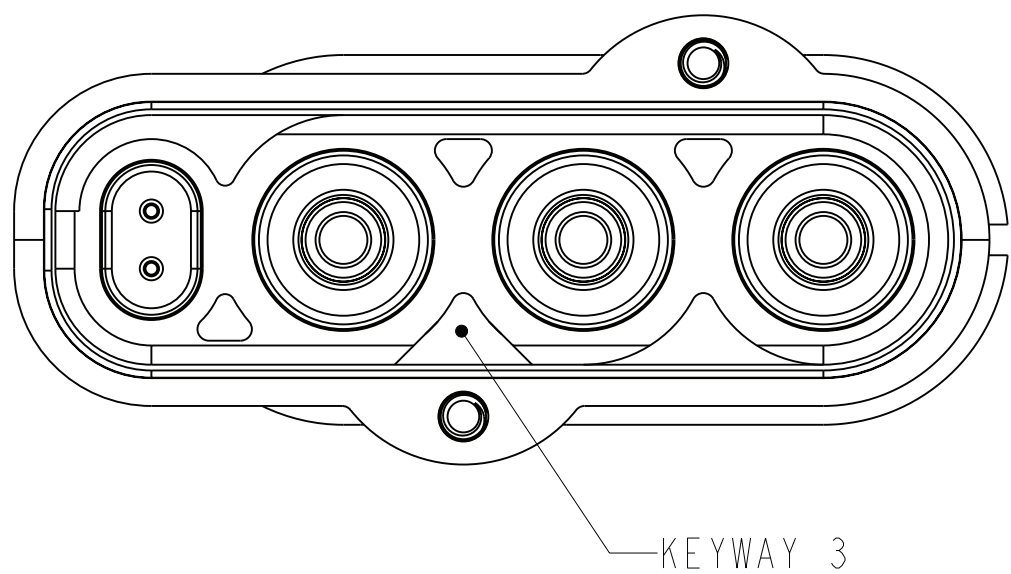
SIZE C	CAGE CODE 77820	DOCUMENT NO. 10-643579	REV. PA5
SCALE: 0.9		REF:	SHEET 4 OF 6



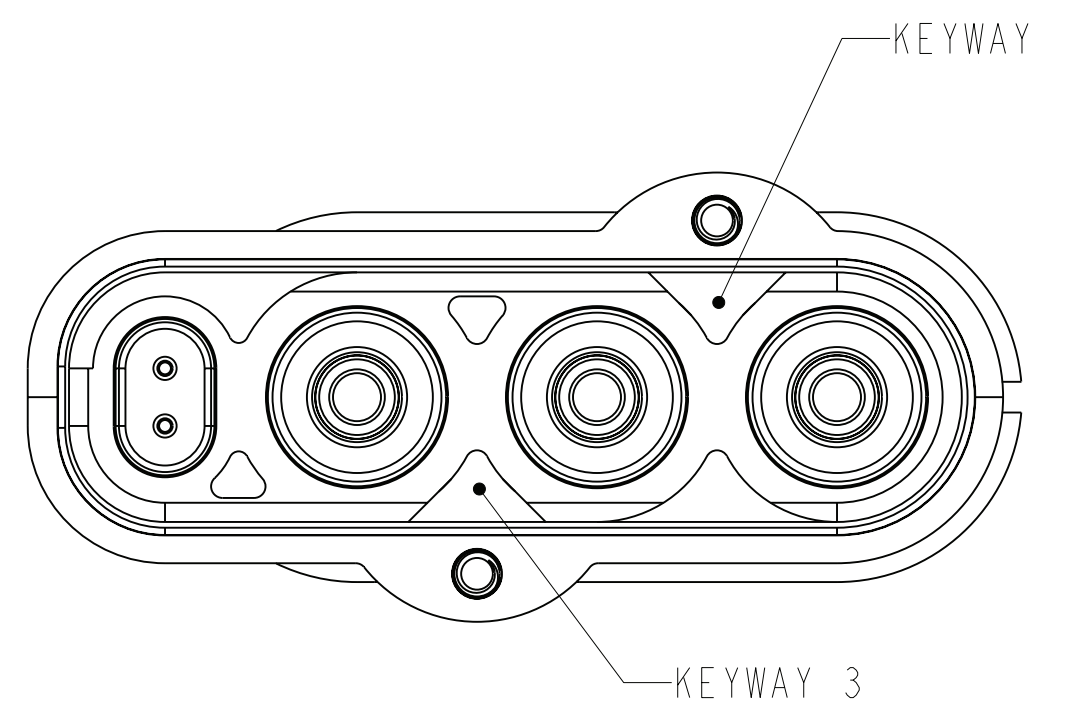
KEY OPTION 5
KEYWAY 2 OPEN



KEY OPTION 6
KEYWAYS 2 AND 3 OPEN



KEY OPTION 7
KEYWAY 3 OPEN



KEY OPTION 8
KEYWAYS 1 AND 3 OPEN

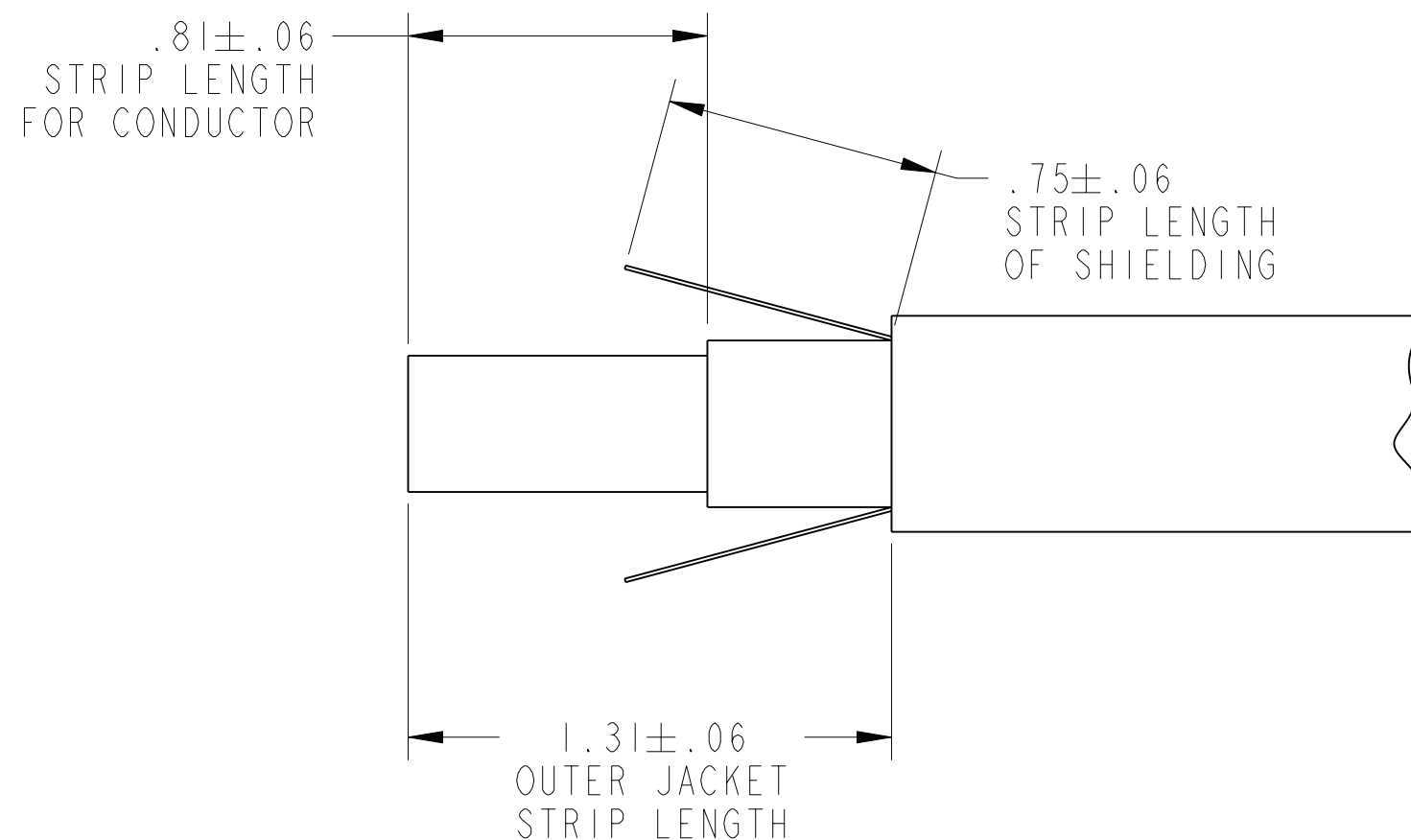
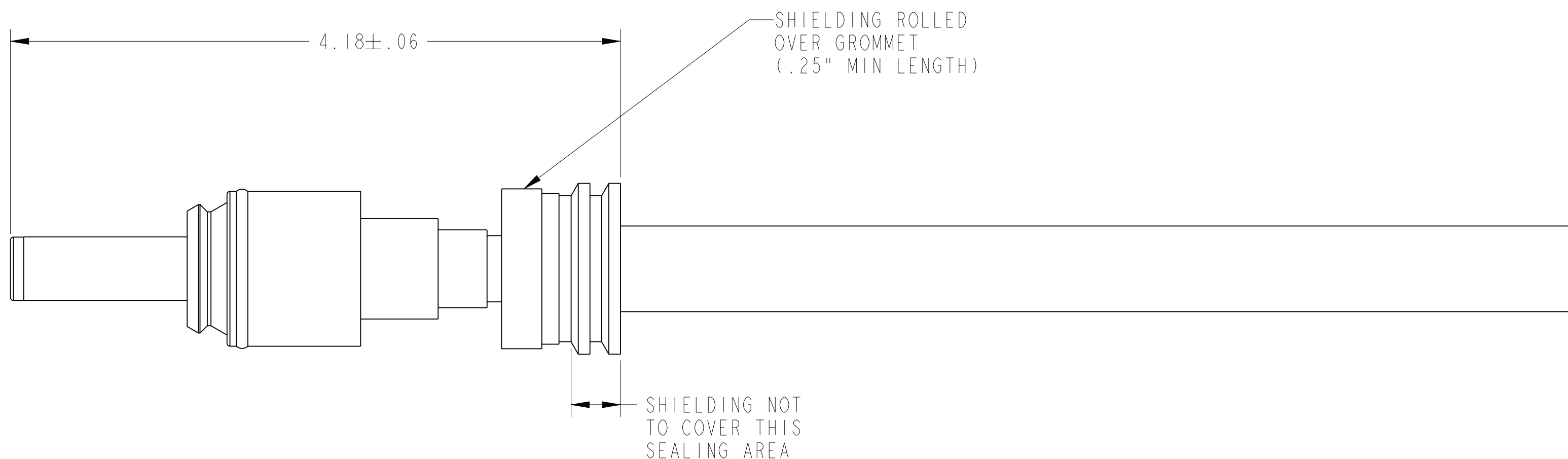
THE USE OF THIS DOCUMENT IS UNLIMITED.
HOWEVER, DOCUMENTS REFERENCED HEREON
MAY CONTAIN LIMITED RIGHTS DATA.

SIZE	CAGE CODE	DOCUMENT NO.	REV.
C	77820	10-643579	PA5
SCALE: 0.9	REF:	SHEET 5 OF 6	

DOCUMENT NO.
10-643579
SHEET 5 OF 6
REV.
PA5

DOCUMENT NO.
10-643579
SHEET 5 OF 6
REV.
PA5

WIRE/CONTACT ASSEMBLY FOR CUSTOMER REFERENCE



THE USE OF THIS DOCUMENT IS UNLIMITED. HOWEVER, DOCUMENTS REFERENCED HEREON MAY CONTAIN LIMITED RIGHTS DATA.

SIZE C	CAGE CODE 77820	DOCUMENT NO. 10-643579	REV. PA5
SCALE: 1.5		REF:	SHEET 6 OF 6

10-643579

SHEET 6 OF 6

REV. PA5

C

B

A

D

C

REV. PA5

SHEET 6 OF 6

10-643579

A