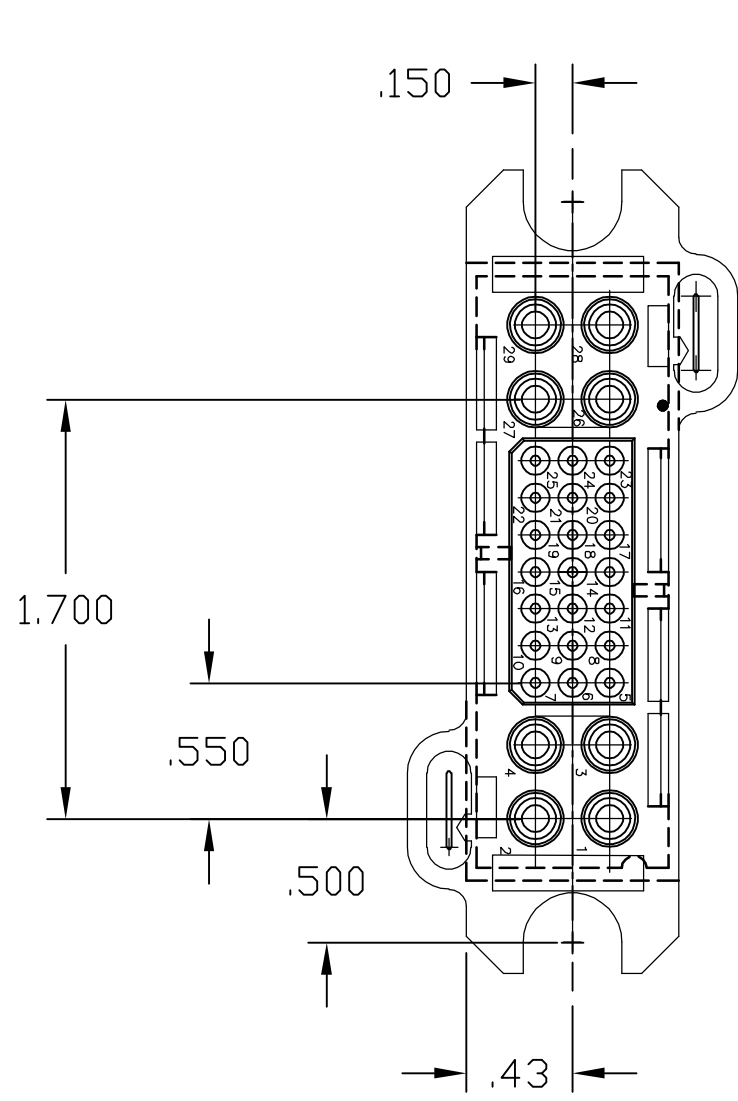
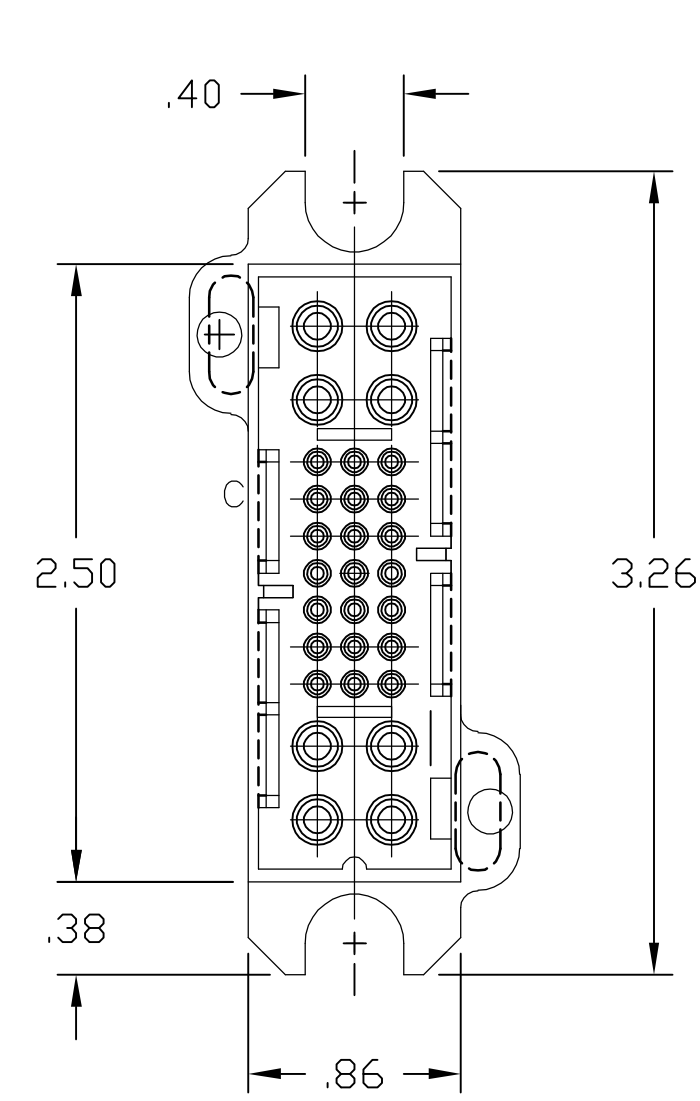
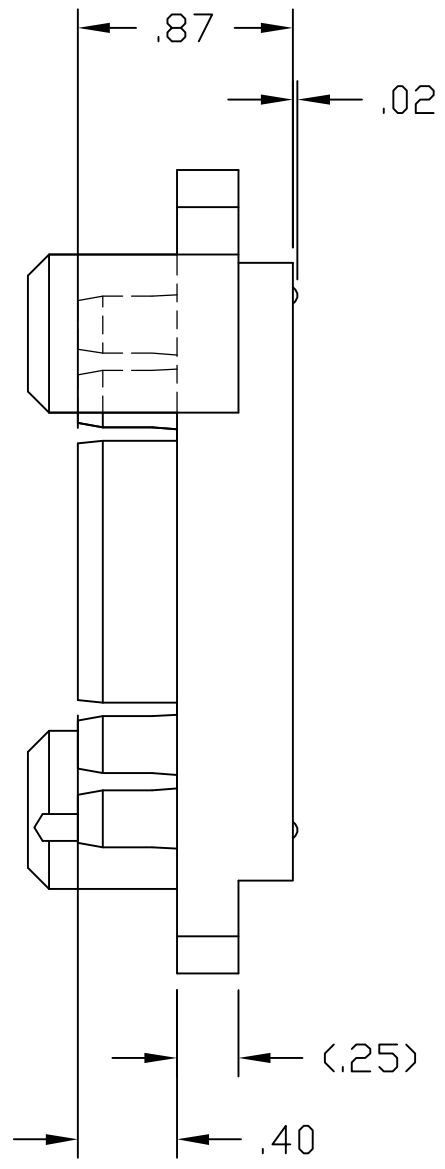


THIS DRAWING IS UNPUBLISHED. RELEASED FOR PUBLICATION
 © COPYRIGHT BY TYCO ELECTRONICS CORPORATION. ALL RIGHTS RESERVED.

LOC	DIST	REVISIONS					
GP	00	P	LTR	DESCRIPTION	DATE	DWN	APVD
		-		SEE SHEET 1	-	-	-



FRONT VIEW



REAR VIEW

THIS DRAWING IS A CONTROLLED DOCUMENT.		DWN R.F.A. 3/2/06	Tyco Electronics Corporation Harrisburg, PA 17105-3608			
DIMENSIONS: INCHES		CHK S.FLICKINGER 3/3/06				
TOLERANCES UNLESS OTHERWISE SPECIFIED:		APVD S.FLICKINGER 3/3/06	NAME			
0 PLC ± - 1 PLC ± - 2 PLC ± .02[3] 3 PLC ± .010[.25] 4 PLC ± - ANGLES ± 5°		PRODUCT SPEC	CONNECTOR, SOCKET SIZE #16,20,12 CONFIG. LOWER DRAWER			
MATERIAL		APPLICATION SPEC	SIZE	CAGE CODE	DRAWING NO	RESTRICTED TO
FINISH		WEIGHT	A3	00779	C-1648208	-
CUSTOMER DRAWING			SCALE 1:1	SHEET 2 OF 2	REV B	