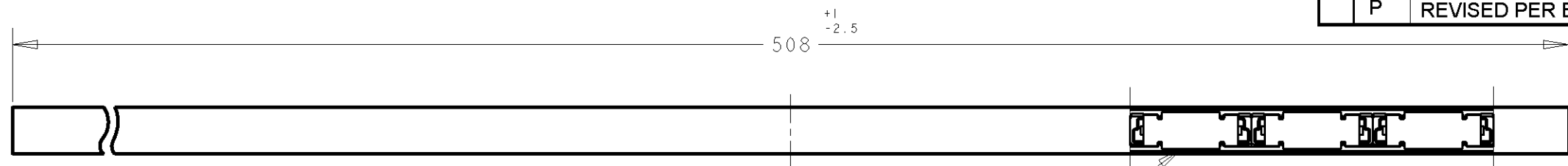
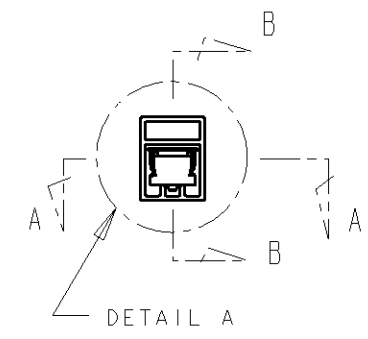
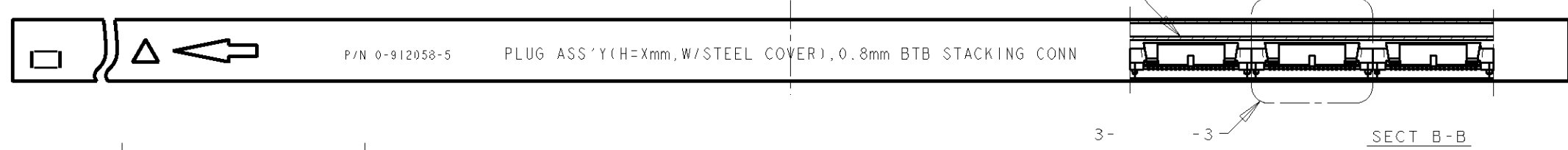


THIS DRAWING IS UNPUBLISHED. RELEASED FOR PUBLICATION .19 .
 BY - ALL RIGHTS RESERVED.

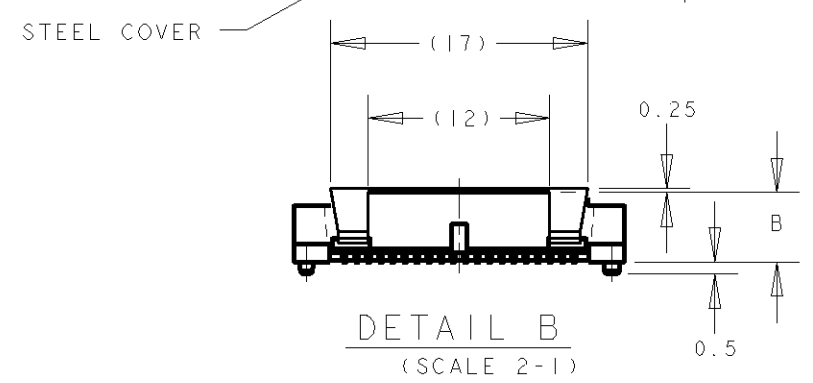
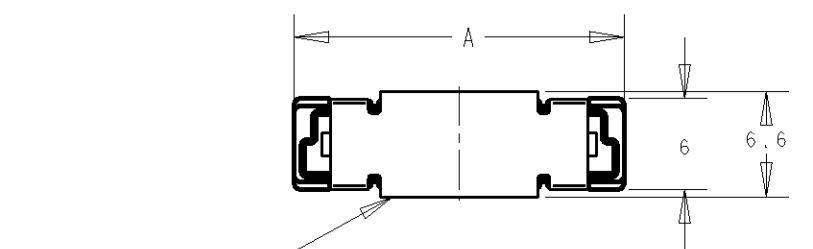
LOC	DIST	REVISIONS					
DY	-	P	LTR	DESCRIPTION	DATE	DWN	APVD
		P		REVISED PER ECO-11-005139	19MAR11	RK	HMR



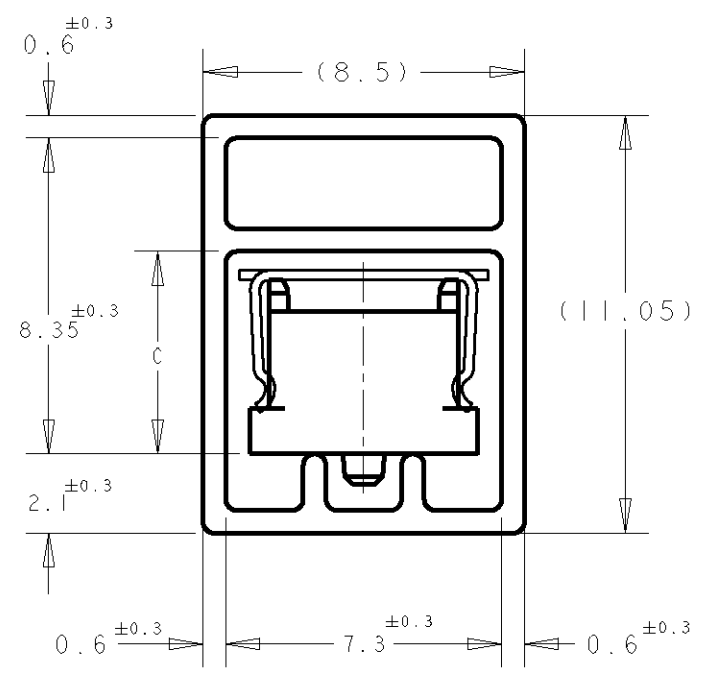
1 OBSOLETE PARTS: OBSOLETE CIS
 STREAMLINING PER D.RENAUD/D.SINISI



P/N 0-912058-5 PLUG ASS'Y (H=Xmm, W/STEEL COVER), 0.8mm BTB STACKING CONN



DETAIL B
 (SCALE 2-1)



DETAIL A
 (SCALE 5-1)

QTY	HEIGHT TYPE	C	B	A	CONN P/N	POS.	PART NO.	QTY	HEIGHT TYPE	C	B	A	CONN P/N	POS.	PART NO.	
5				85.8	1-	-0	200	7-					85.8	1-	-0	200
6				77.8		-9	180	6-					77.8		-9	180
6				69.8		-8	160	1 6- 8					69.8		-8	160
7				61.8		-6	140	6- -6					61.8		-6	140
9				53.8		-5	120	6- -5					53.8		-5	120
10				45.8		-4	100	6- -4					45.8		-4	100
12				37.8		-3	80	1 6- 3					37.8		-3	80
16				29.8		-2	60	1 6- 2					29.8		-2	60
22	8H	8.35	7.6	21.8	5179031-1		40	1 6- 5179230	22	6H	6.35	5.6	21.8	5179029-1	40	1 2- 5179230
5				85.8	1-	-0	200	5-					85.8	1-	-0	200
6				77.8		-9	180	4-					77.8		-9	180
6				69.8		-8	160	1 4- 8					69.8		-8	160
7				61.8		-6	140	1 4- 6					61.8		-6	140
9				53.8		-5	120	4- -5					53.8		-5	120
10				45.8		-4	100	1 4- 4					45.8		-4	100
12				37.8		-3	80	1 4- 3					37.8		-3	80
16				29.8		-2	60	1 4- 2					29.8		-2	60
22	7H	7.35	6.6	21.8	5179030-1		40	1 4- 5179230	22	5H	5.35	4.6	21.8	5177984-1	40	1 5179230

DIMENSIONS:		TOLERANCES UNLESS OTHERWISE SPECIFIED:	
mm		0 PLC	±
		1 PLC	±0.20
		2 PLC	±0.25
		3 PLC	±0.30
		4 PLC	±
		ANGLES	±3°
MATERIAL		FINISH	
-		-	

DWN 03SEP04
 FLORENCE TAN
 CHK ERIC TNG
 APVD SF JFONG
 PRODUCT SPEC
 APPLICATION SPEC
 WEIGHT -
 CUSTOMER DRAWING

STE TE Connectivity

NAME
 PLUG ASSY WITH STEEL COVER
 (TUBE PACK)
 FH 0.8mm PITCH B-T-B CONNECTOR

SIZE	CAGE CODE	DRAWING NO
A3	00779	5179230

SCALE | : | SHEET | OF | REV **P**