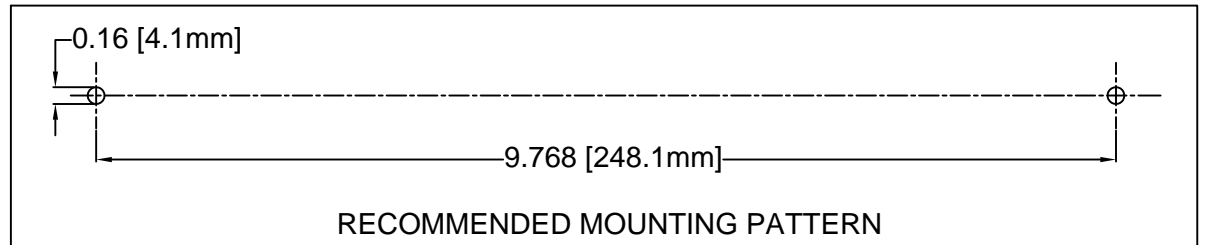
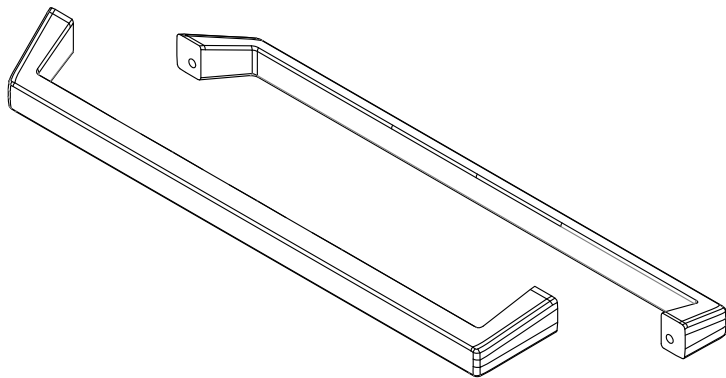
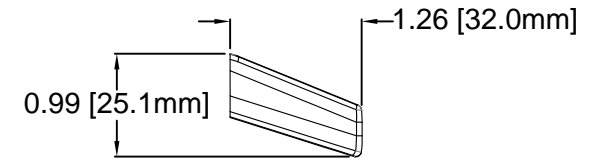
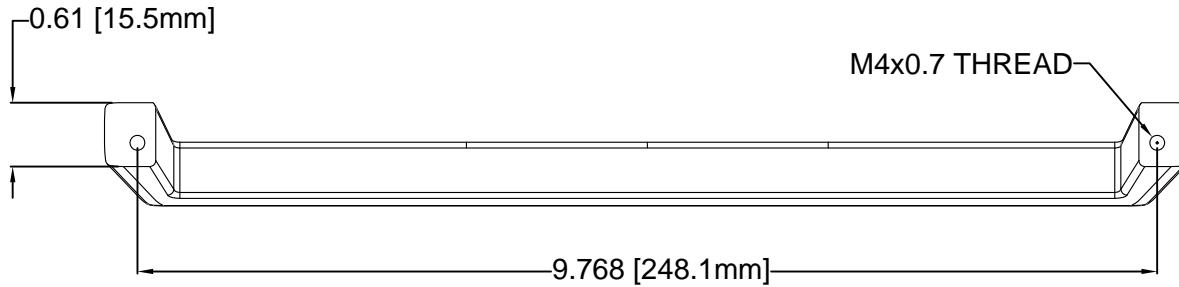
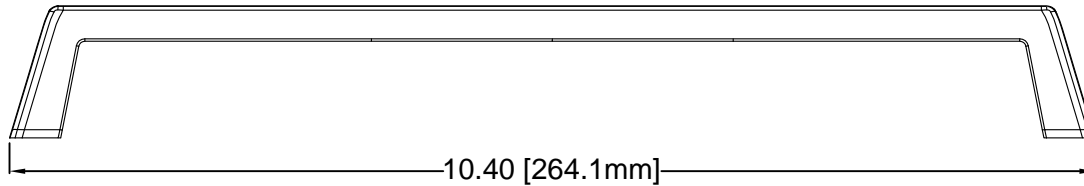


REV.	DESCRIPTION	DATE	APPROVED
A	Engineering Release	07/17/14	J. C.
B	Engineering Update w/o Changes	05/21/16	J. C.



NOTES:
 2. MOUNTING HARDWARE SHIPPED UNASSEMBLED
 1. MATERIAL: ALUMINUM

STANDARD TOLERANCE (UNLESS OTHERWISE SPECIFIED)		 4 THOMAS, IRVINE, CA. 92618 TEL: (949) 951-8808 FAX: (949) 951-3974	
DECIMALS	ANGULAR		
.X ± .1	X° ± 1°		TITLE: 6U SUBRACK HANDLE, RECTANGULAR
.XX ± .02			
.XXX ± .010		DESIGNED: A. Wright DATE: 07/17/14	PART NO: SRH-6RUT REVISION: B
CHECKED: B. Oliver DATE: 07/17/14	CAGE CODE : 32559 SHEET # 1 OF 1	CAD GENERATED DOCUMENT. DO NOT MEASURE DRAWING.	