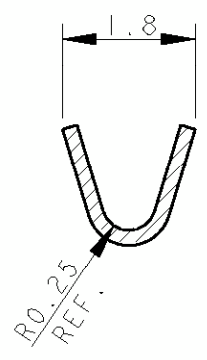


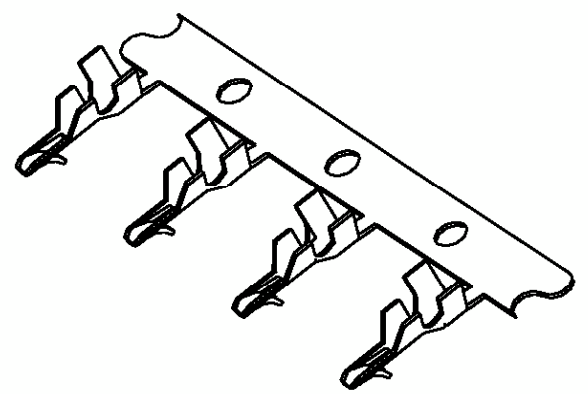
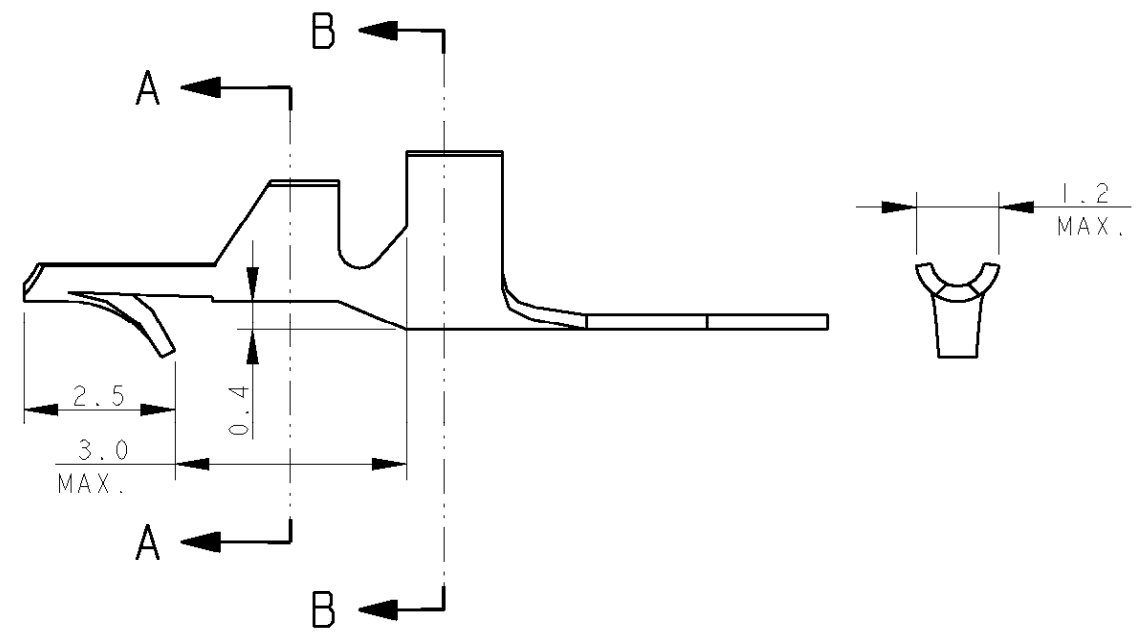
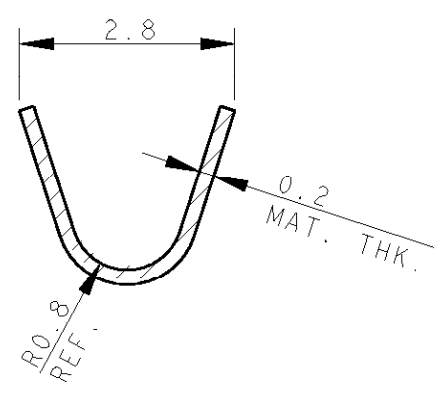
THIS DRAWING IS UNPUBLISHED. RELEASED FOR PUBLICATION
 © COPYRIGHT ALL RIGHTS RESERVED.

LOC	DIST	REVISIONS			
P	LTR	DESCRIPTION	DATE	DWN	APVD
		S4 REVISED PER ECR-15-016719	17NOV2015	NK	GJ

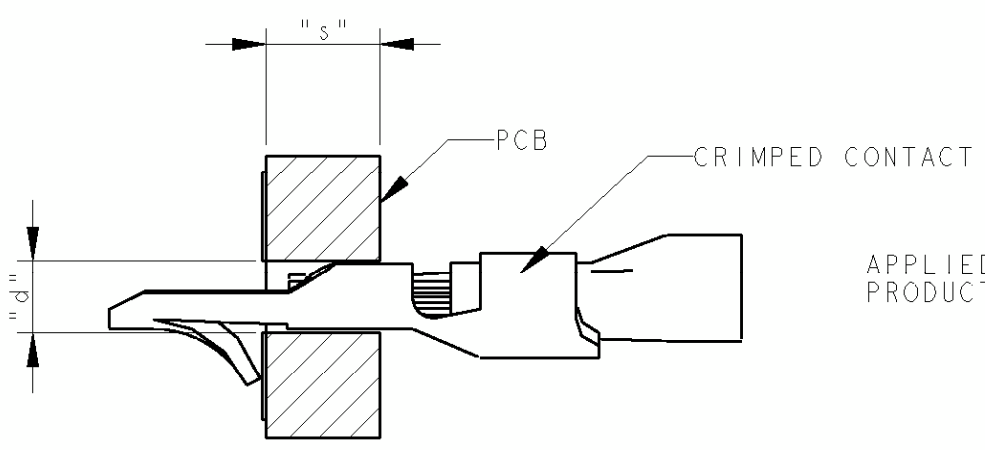
SECTION A-A



SECTION B-B



SCALE 3:1



APPLIED PRODUCT ILLUSTRATION

1 TERMINALS SUPPLIED ON REELS ON 8.40 CENTERS. ORIENTATION AS SHOWN.

(DIRECTION OFF TOP OF REEL)	
P/N 925819-3	ALETTE DI AGGRAFFATURA RIVOLTE VERSO L'ALTO ("U"ing UP)
P/N 925819-4	ALETTE DI AGGRAFFATURA RIVOLTE VERSO IL BASSO ("U"ing DOWN)

Ø1.00-1.52 [Ø.040-.060]	26-22	1.38±0.08 1.28±0.08	1.5 1.5 & 2	NOTE	STAGNATO CON SOTTOSTRATO DI NICHEL (TIN OVER NICKEL)	OTTONE (BRASS)	3 925819-4 925819-3
INSULATION RANGE	WIRE RANGE [AWG]	HOLE DIA. "d" [mm]	PCB THK. "s" [mm]		FINITURA/COLORE (FINISH/COLOUR)	MATERIALE (MATERIAL)	TE CONNECTIVITY PART NUMBER

DIMENSIONS: mm		TOLERANCES UNLESS OTHERWISE SPECIFIED:		DWN 03JUL2003 H. YAALI		TE TE Connectivity	
		0 PLC ± -	1 PLC ± 0.3	CHK C. TARTARI			
MATERIAL AS TABLE		FINISH AS TABLE		APVD -		NAME	
				PRODUCT SPEC -		MINI AMP-IN CONTACT (STRIP FORM)	
				APPLICATION SPEC 114-1016		SIZE CAGE CODE DRAWING NO RESTRICTED TO	
				WEIGHT -		A3 00779 ©- 925819	
				CUSTOMER DRAWING		SCALE 10: SHEET 1 OF 1 REV S4	

2 COMPLIES WITH TE SOLDERABILITY SPECIFICATION TEC-109-11-1

3 OBSOLETE