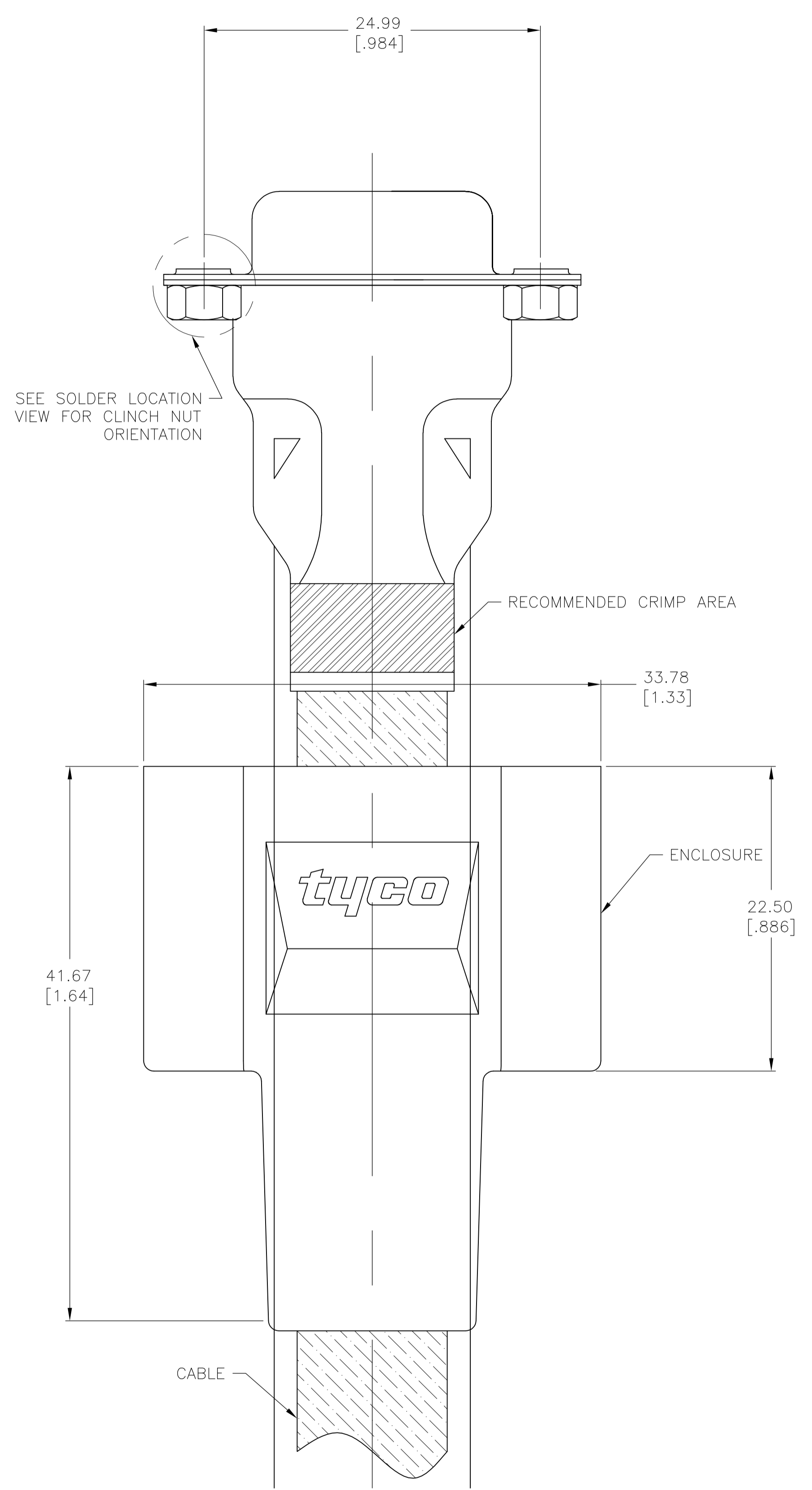


LOC	DIST	REVISIONS			
GP	00	REV	DESCRIPTION	DATE	BY
C		1	REVISED ECO-12-003967	13APR2012	CJV/CWR



- 1. MATERIAL
INSERT: PBT, BLACK, UL94V-0 RATED
CONTACT, CLINCH NUTS: BRASS
SHELLS & SHIELD: STEEL
ENCLOSURE: PVC, BLACK
- 2. FINISH
CONTACT: GOLD PLATING 0.02μm[.000008] MIN ON CONTACT AREA
2.3μm[.000090] MIN TIN-LEAD PLATING ON SOLDER AREA.
ALL OVER 1.27μm[.000050] MIN NICKEL.
SHELL: 2.4μm[.000095] MIN TIN
SHIELD: 2.0-3.0μm[.000080-.000120] TIN
CLINCH NUT: NICKEL 0.00305-.0050μm[.000120-.000200]
- 3. SPECIFICATION ELECTRICAL CHARACTERISTICS:
CURRENT RATING: 3 AMPERES
DIELECTRIC WITHSTANDING VOLTAGE: AC 1000V r.m.s
INSULATION RESISTANCE: 5000 MEGOHMS MINIMUM AT DC 500V CONTACT
RESISTANCE: 10 MILLIOHMS MAXIMUM.
- 4. RECEPTACLE CONNECTOR FULLY LOADED WITH CONTACTS. ALL OTHER PARTS ARE SHIPPED UNASSEMBLED, EACH PART INDIVIDUALLY BULK PACKED.
- 5. SOLDER CUP WILL ACCOMMODATE 20 MAX AWG WIRE.
- 6. FINISH
CONTACT: GOLD PLATING 0.02μm[.000008] MIN ON CONTACT AREA
2.3μm[.000090] MIN HOT DIPPED TIN-COPPER PLATING ON SOLDER AREA. ALL OVER 1.27μm[.000050] MIN NICKEL.
SHELL: 2.4μm[.000095] MIN BRIGHT TIN.
SHIELD: 2.0-3.0μm[.000080-.000120] TIN
CLINCH NUT: NICKEL 0.00305-.0050μm[.000120-.000200]
- 7. ROHS 2002/95/EC COMPLIANT.
- 8. ASSEMBLE PER 408-10443.

EXPLODED VIEW OF ASSEMBLED KIT

	7.2 [.283]	5-1825216-1
SUPERSEDED BY 5-1825216-1	7.2 [.283]	1825216-1
FINISH	CABLE DIA	PART NUMBER
	L	

THIS DRAWING IS A CONTROLLED DOCUMENT. DIMENSIONING AND TOLERANCING PER ASME Y14.5M-2009

DIMENSIONS:	TOLERANCES UNLESS OTHERWISE SPECIFIED:	DIN	M. BINNER	21FEB05
mm [INCHES]		CHK	J. OLSON	21FEB05
0. PLC ± -		APVD	J. OLSON	21FEB05
1. PLC ± 0.3[.012]		NAME	BULK KIT, RECEPTACLE, AMPLIMITE SOLDER CUP SHIELDING ENCLOSURE 9 POSITION, SIZE 1	
2. PLC ± -		PRODUCT SPEC	108-40031	
3. PLC ± -		APPLICATION SPEC		
4. PLC ± -		SIZE	CAGE CODE	DRAWING NO
ANGLES ± -		WEIGHT	A1	00779
		CUSTOMER DRAWING	1825216	
		SCALE	NTS	SHEET 1 OF 1
		REV	C	

STE TE Connectivity