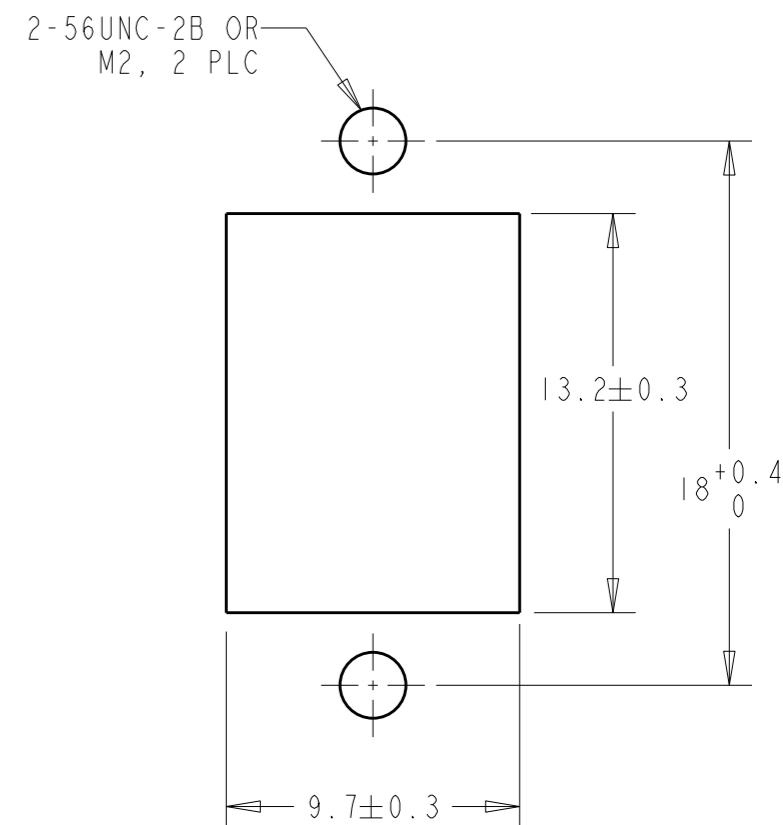
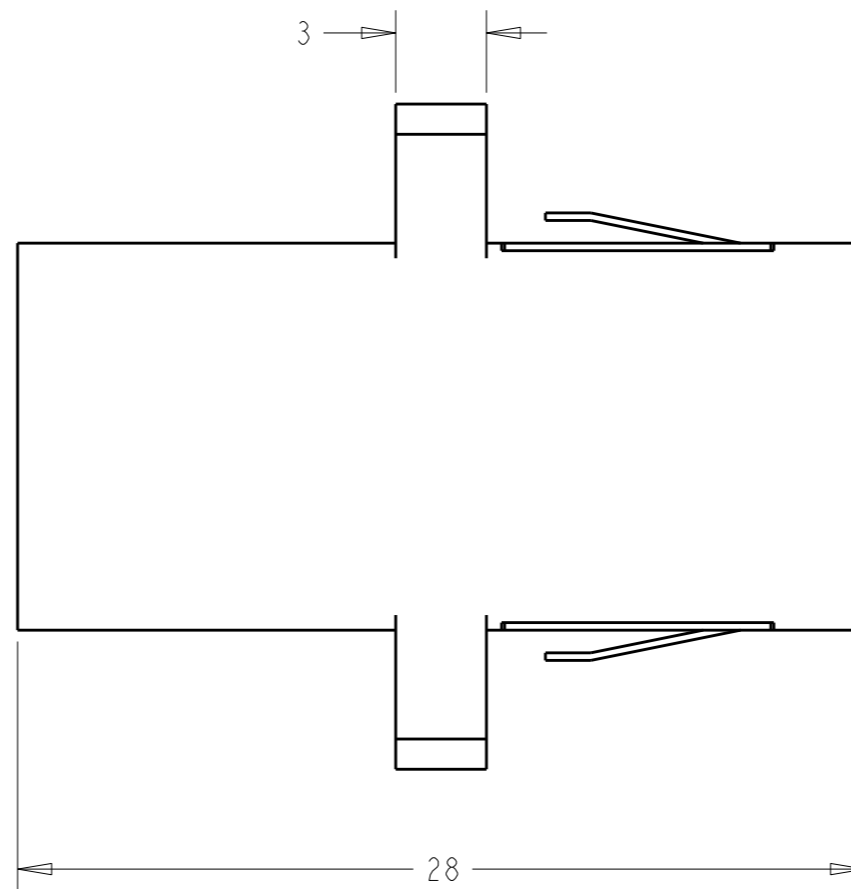
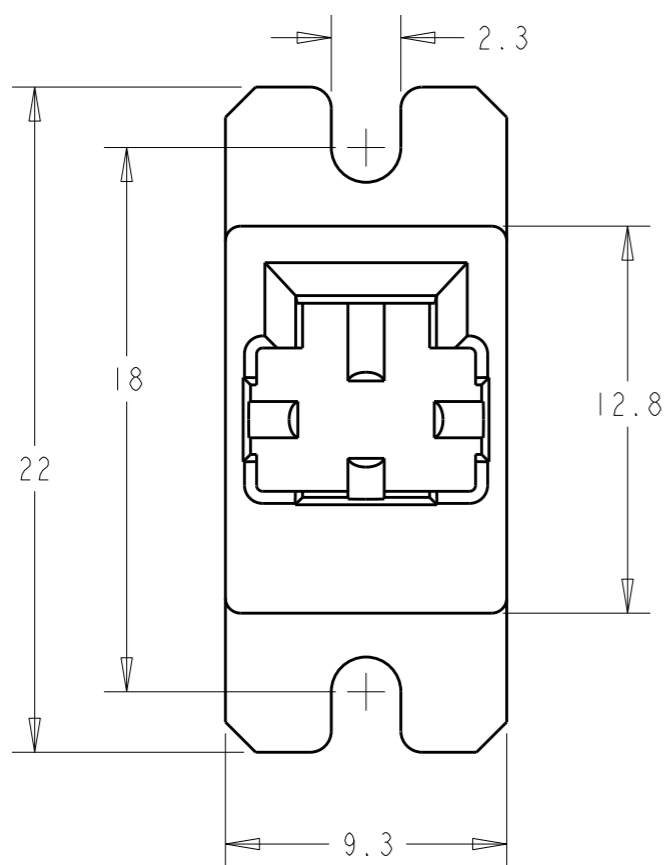


THIS DRAWING IS UNPUBLISHED. RELEASED FOR PUBLICATION

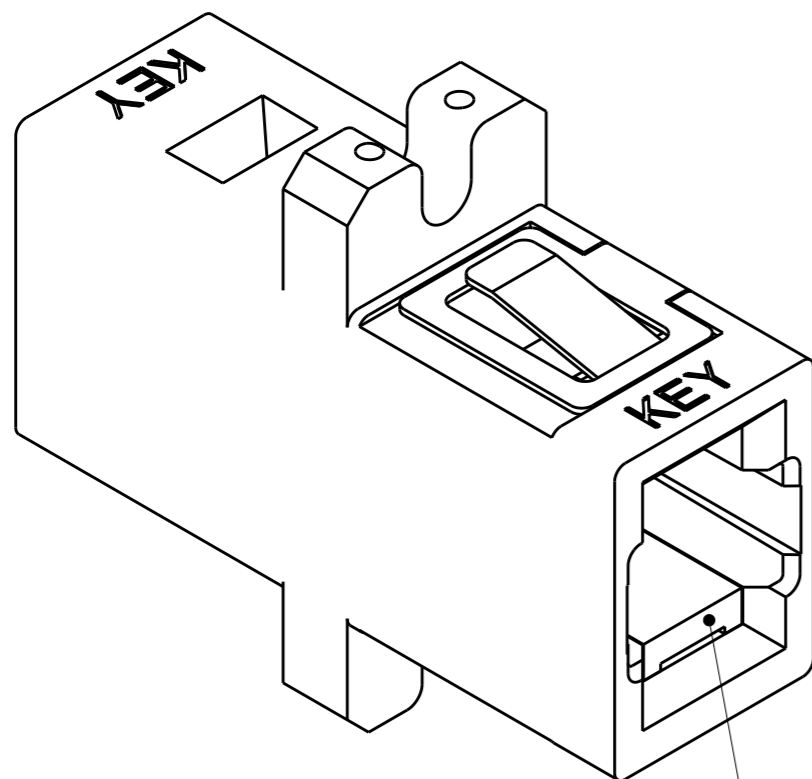
© COPYRIGHT 19 BY TYCO ELECTRONICS CORPORATION. ALL INTERNATIONAL RIGHTS RESERVED.

LOC	DIST	REVISIONS			
P	LTR	DESCRIPTION	DATE	DWN	APVD
CE	00				
	D	REVISE PER ECR-06-027304	07DEC2006	BB	DK
	E	REV ECO-11-003970	04MAR2011	LH	DK

⚠ BODY: THERMOPLASTIC MOLDING COMPOUND, COLOR: LIGHT ALMOND.  
 CLIP: SST  
 COVER: THERMOPLASTIC ELASTOMER, COLOR: BLACK.  
 2. TWO PROTECTIVE COVERS INCLUDED, NOT SHOWN.



RECOMMENDED PANEL CUTOUT  
MAX PANEL THK. 1.7



POLARIZATION KEY

1278017-1  
PART NO

<small>THIS DRAWING IS A CONTROLLED DOCUMENT FOR TYCO ELECTRONICS CORPORATION IT IS SUBJECT TO CHANGE AND THE CONTROLLING ENGINEERING ORGANIZATION SHOULD BE CONTACTED FOR THE LATEST REVISION.</small>		DWN C JEFFERSON 3-11-98 CHK B EDWARDS 3-11-98 APVD J KEVERN 3-11-98		AMP Incorporated Harrisburg, PA 17105-3608	
DIMENSIONS: mm		TOLERANCES UNLESS OTHERWISE SPECIFIED: 0 PLC ±0.1 1 PLC ±0.1 2 PLC ±0.05 3 PLC ± 4 PLC ± ANGLES ±		NAME ADAPTER, MT-RJ	
		MATERIAL -		PRODUCT SPEC - APPLICATION SPEC - WEIGHT -	
		FINISH -		SIZE A3 CAGE CODE 00779 DRAWING NO C-1278017 RESTRICTED TO -	
CUSTOMER DRAWING				SCALE 4:1 SHEET 1 OF 1 REV E	