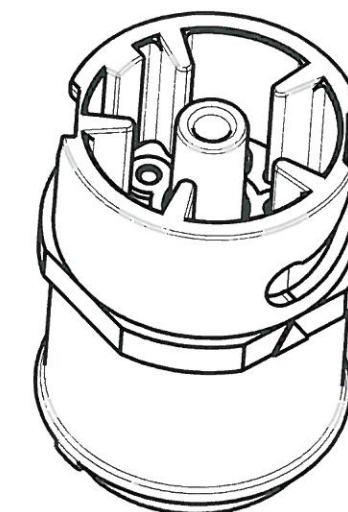
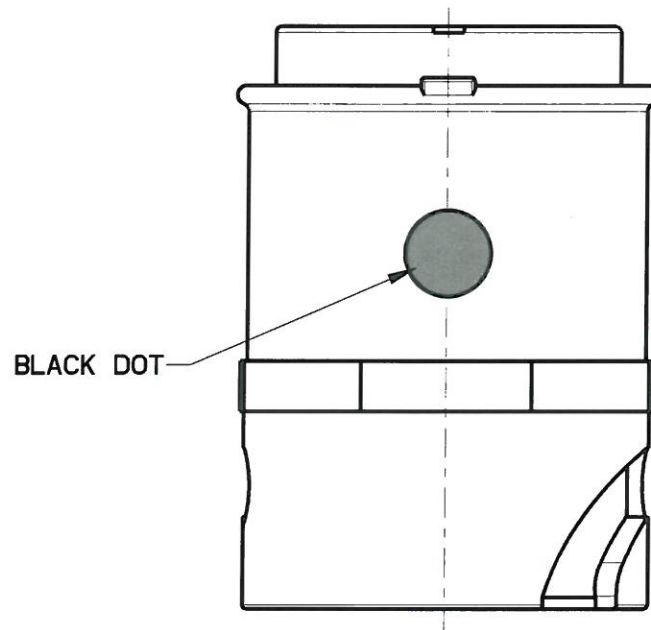
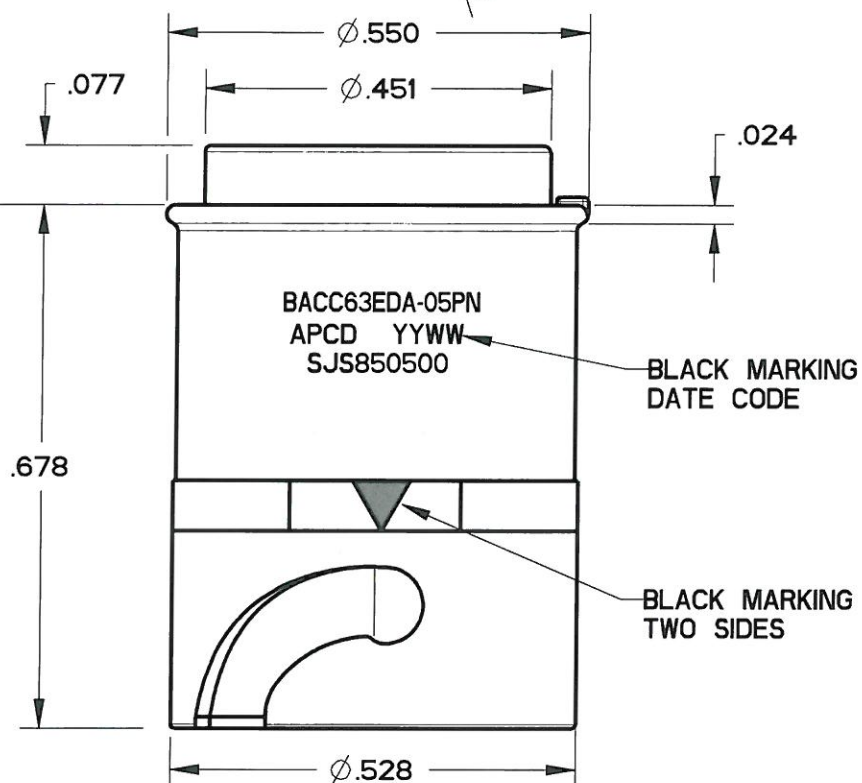
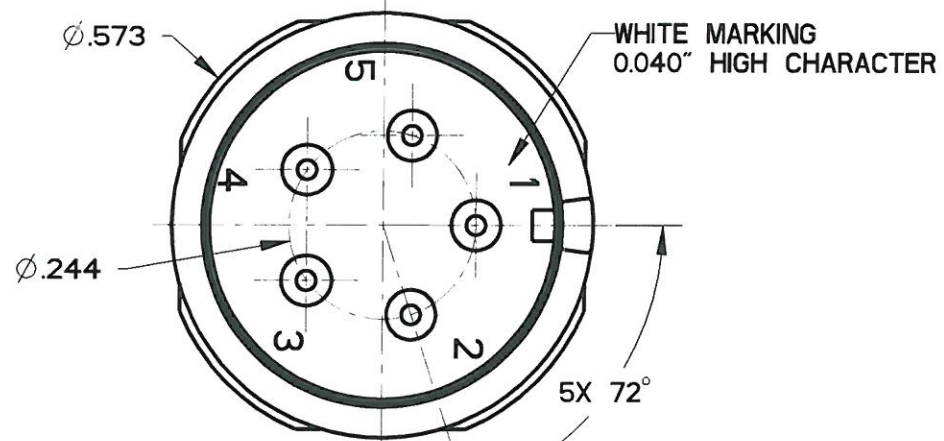


REV	ECN	APP'D
-	6481	JT 2/22/10
A	6487	JT 2/25/10
B	6498	JT 3/08/10
C	6573	<i>8/30/10</i>



SCALE 3:1

- NOTES:
- MATERIALS:
HOUSING: PA6/6,
CONTACT RETAINER: STAINLESS STEEL
GROMMET: SILICONE RUBBER PER A-A-59588
 - MATING CONTACTS: SEE TABLE I
 - TEST SPECIFICATION: BACC63ED
 - PART MATES WITH SJS850510
 - WEIGHT: 2.5 GRAMS
 - SUPPLIED WITH DUST CAP

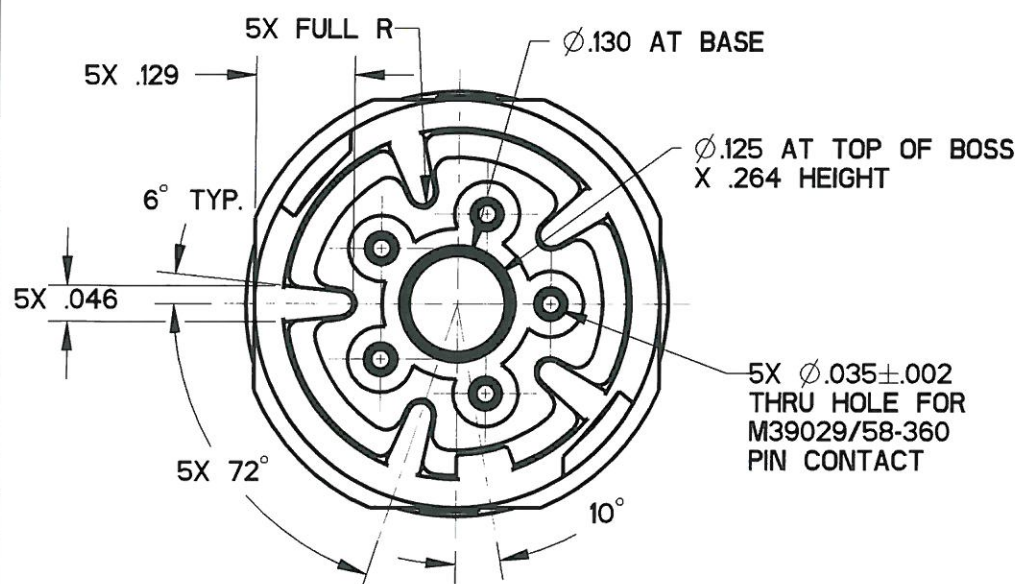


TABLE I

APCD P/N	BOEING P/N	P/N MARKING(S)	CONTACTS SUPPLIED
SJS850500	BACC63EDA-05PNH	BACC63EDA-05PN	NONE
SJS850501	BACC63EDA-05PN	SJS850500	(5) M39029/58-360

DIMENSIONS ANSI Y14.5M UNITS: INCHES Pro/E FILE	TOLERANCES .XX ±0.01 .XXX ±0.005 ANGLES ±1.0°	PROJECTION 	Amphenol Pcd SPECIFICATION DRAWING ENGR Frank.Li 15-Mar-09		TITLE BACC63EDA-05PN 5P SZ22 INLINE WHITE RECEPTACLE FOR SJS		
			ORIGINAL 	THIS DOCUMENT CONTAINS PROPRIETARY INFORMATION WHICH IS THE CONFIDENTIAL PROPERTY OF AMPHENOL PCD INC., BEVERLY, MA		CHKD <i>[Signature]</i> 8/30/10 APPD <i>[Signature]</i> 8/30/10	SIZE B DWG NO. SJS850500_CE REV C

SJS850500

SJS850500