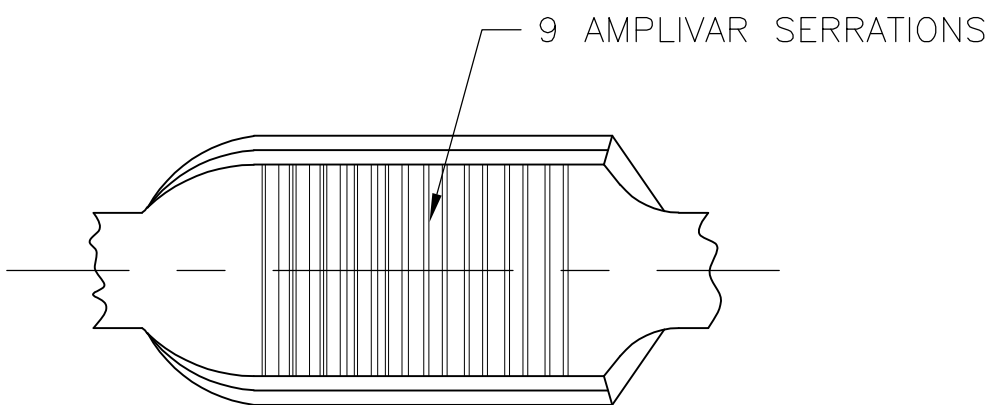
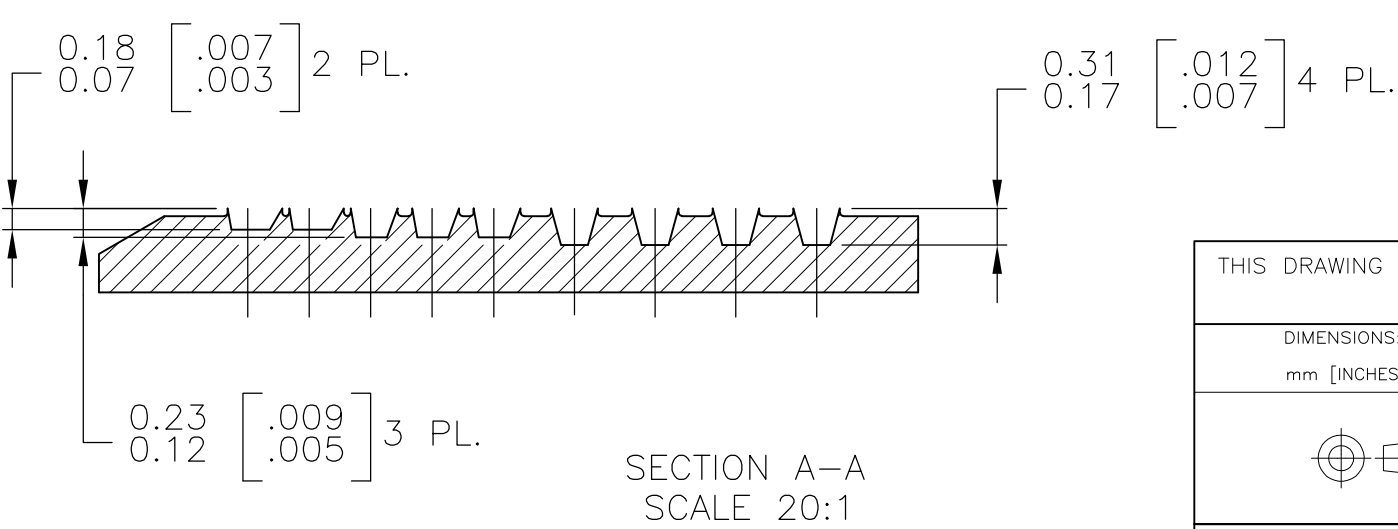
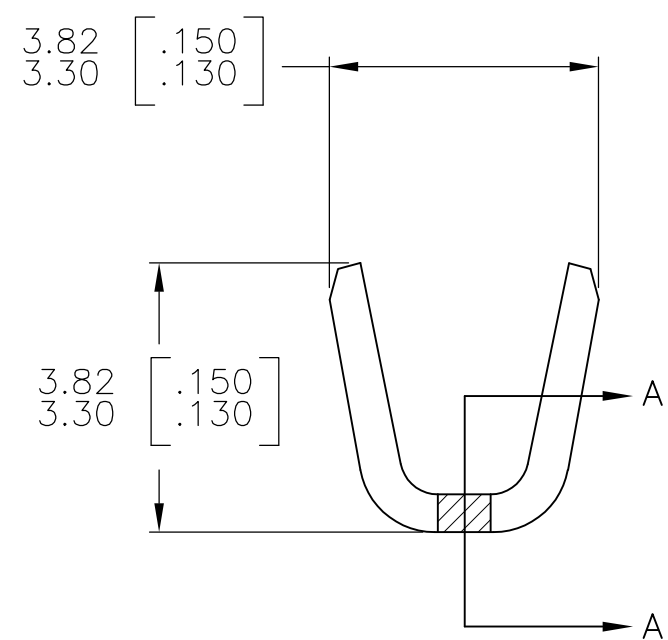
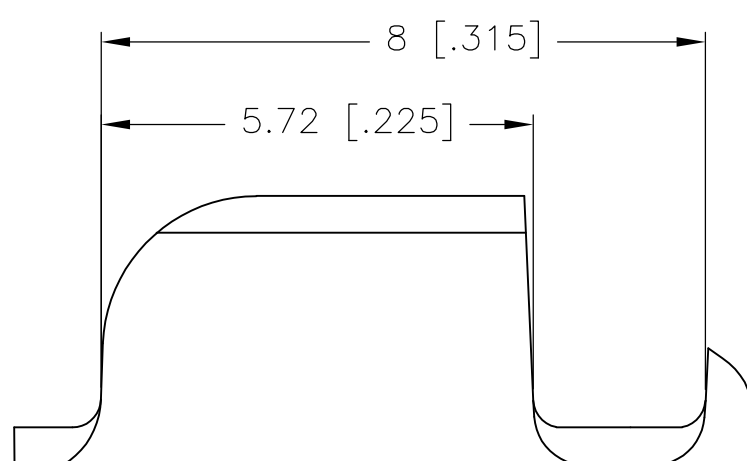


THIS DRAWING IS UNPUBLISHED. RELEASED FOR PUBLICATION
 © COPYRIGHT BY TYCO ELECTRONICS CORPORATION. ALL RIGHTS RESERVED.

LOC	DIST	REVISIONS			
P	LTR	DESCRIPTION	DATE	DWN	APVD
AF	50	C2	REVISED PER ECR-10-007904	16APR10	HMR GP



1. PRODUCT PROVIDED IN STRIP FORM ON REELS; BREAKS MAY BE PRESENT.
2. DIMENSIONS IN BRACKETS ARE IN INCHES.
3. CRIMP WIDTH: .110 F (AMPLIVAR TYPE)
 CRIMP HEIGHT $(\pm .002) = (\text{TOTAL CMA} + 9360) / 190,400$
 GENERAL APPLICATION GUIDELINES MUST BE FOLLOWED AS SPECIFIED IN CATALOG # 82221
 FOR APPLICATOR INFORMATION CALL: 1-800-722-1111
 FOR PRODUCT INFORMATION CALL: 1-800-522-6752



METRIC

62304-2
PART NO.

THIS DRAWING IS A CONTROLLED DOCUMENT.		DWN RAGHAVENDRA 27JAN06	Tyco Electronics Corporation Harrisburg, Pa 17105-3608	
DIMENSIONS: mm [INCHES]		CHK G.D.PORTA	NAME	
TOLERANCES UNLESS OTHERWISE SPECIFIED:		APVD G.D.PORTA	SPLICE, AMPLIVAR 600-3000 CMA	
0 PLC ± -		PRODUCT SPEC	SIZE	CAGE CODE
1 PLC ± -		APPLICATION SPEC	114-2003	DRAWING NO
2 PLC ± 0.38[.015]		WEIGHT	-	A3 00779 C-62304
3 PLC ± -		CUSTOMER DRAWING		
4 PLC ANGLES ± 1°		SCALE	10:1	SHEET 1 OF 1
MATERIAL REF 0.51±0.03 [.020±.001] BRASS	FINISH TIN PL.	RESTRICTED TO		REV C2