

RJ45 socket insert - CUC-V04-BU-90 - 1407408


Please be informed that the data shown in this PDF Document is generated from our Online Catalog. Please find the complete data in the user's documentation. Our General Terms of Use for Downloads are valid (<http://phoenixcontact.com/download>)



RJ45 socket insert, contact inserts: x , type: RJ45, IP20, degree of protection: IP20, number of positions: 8, CAT5, material: Copper alloy, connection method: Solder connection



Key Commercial Data

Packing unit	1 STK
GTIN	 4 046356 772280
GTIN	4046356772280

Technical data

Mechanical characteristics

Standards/specifications	IEC 60603-7
Number of positions	8
Connection profile	RJ45
Insertion/withdrawal cycles	≥ 750
Connection method	Solder connection
Degree of protection	IP20
Type	Female

Ambient conditions

Ambient temperature (operation)	-40 °C ... 70 °C
Ambient temperature (storage/transport)	-40 °C ... 70 °C
Degree of protection	IP20

Material data

Flammability rating according to UL 94	V0
Housing material	Copper alloy
Height	15 mm

Electrical characteristics

RJ45 socket insert - CUC-V04-BU-90 - 1407408

Technical data

Electrical characteristics

Number of positions	8
Nominal voltage U_N	50 V
Nominal current I_N	1.5 A
GRP transmission properties	CAT5
Rated current	1.5 A
Rated voltage (III/3)	125 V

Standards and Regulations

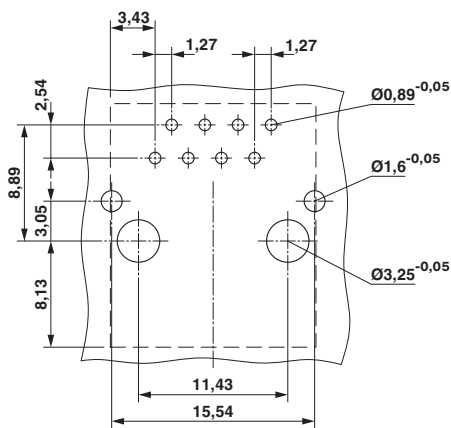
Standards/regulations	IEC 60603-7
Flammability rating according to UL 94	V0

Environmental Product Compliance

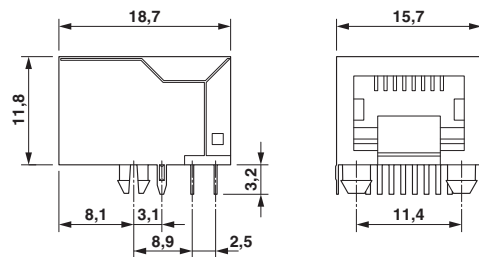
China RoHS	Environmentally Friendly Use Period = 50
	For details about hazardous substances go to tab "Downloads", Category "Manufacturer's declaration"

Drawings

Drilling diagram



Dimensional drawing



Phoenix Contact 2018 © - all rights reserved
<http://www.phoenixcontact.com>

PHOENIX CONTACT GmbH & Co. KG
 Flachsmarktstr. 8
 32825 Blomberg
 Germany
 Tel. +49 5235 300
 Fax +49 5235 3 41200
<http://www.phoenixcontact.com>