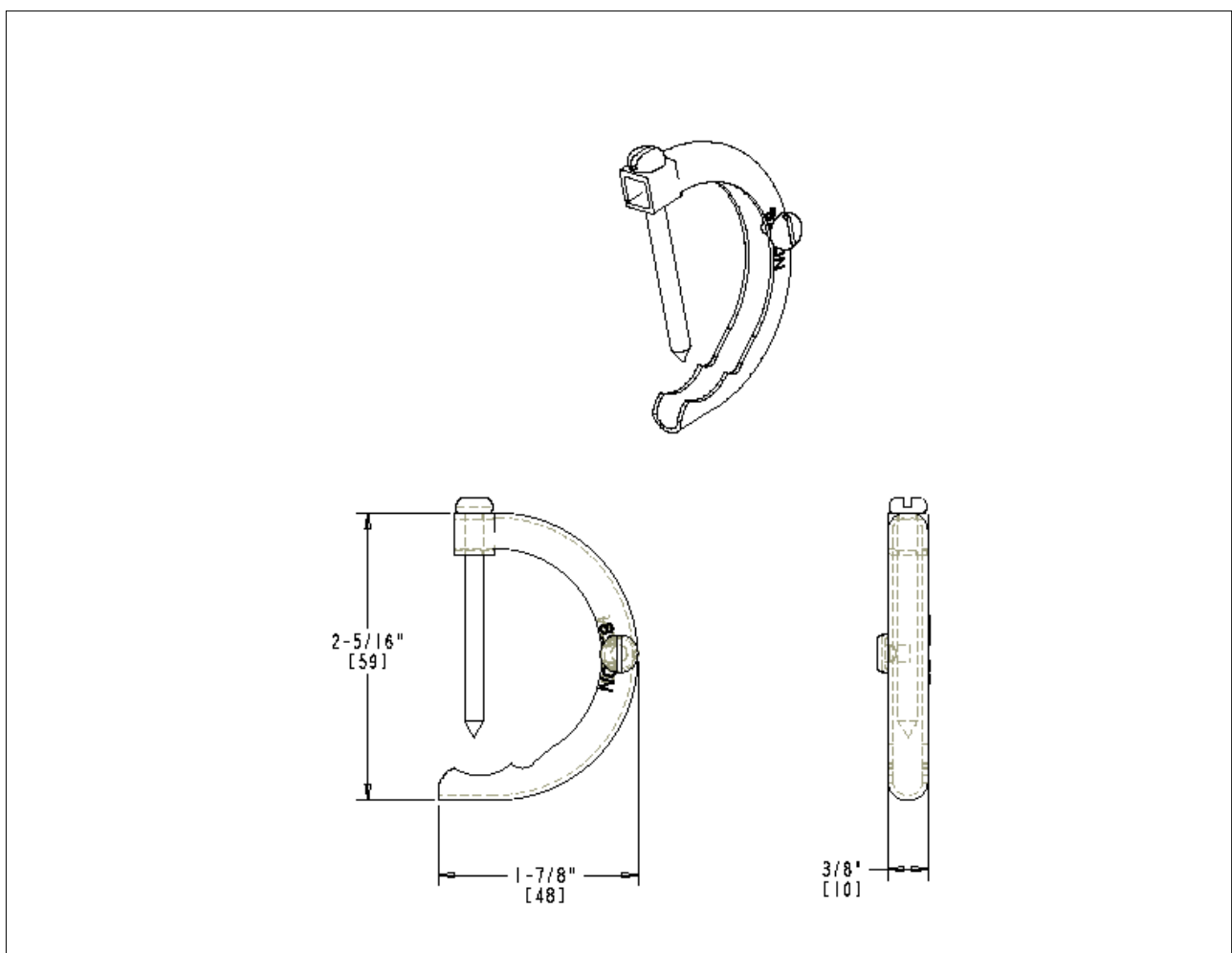




**Part Number:** BU-58  
**Description:** Grounding Clamp

4106



- Attaches to Pipe up to 1 3/8" outer diameter using #10 flat head screw
- Includes 8-32 flat head ground screw
- Material: zinc-plated steel
- Rating: 50 Amps
- Packaged in Bulk
- RoHS Compliant