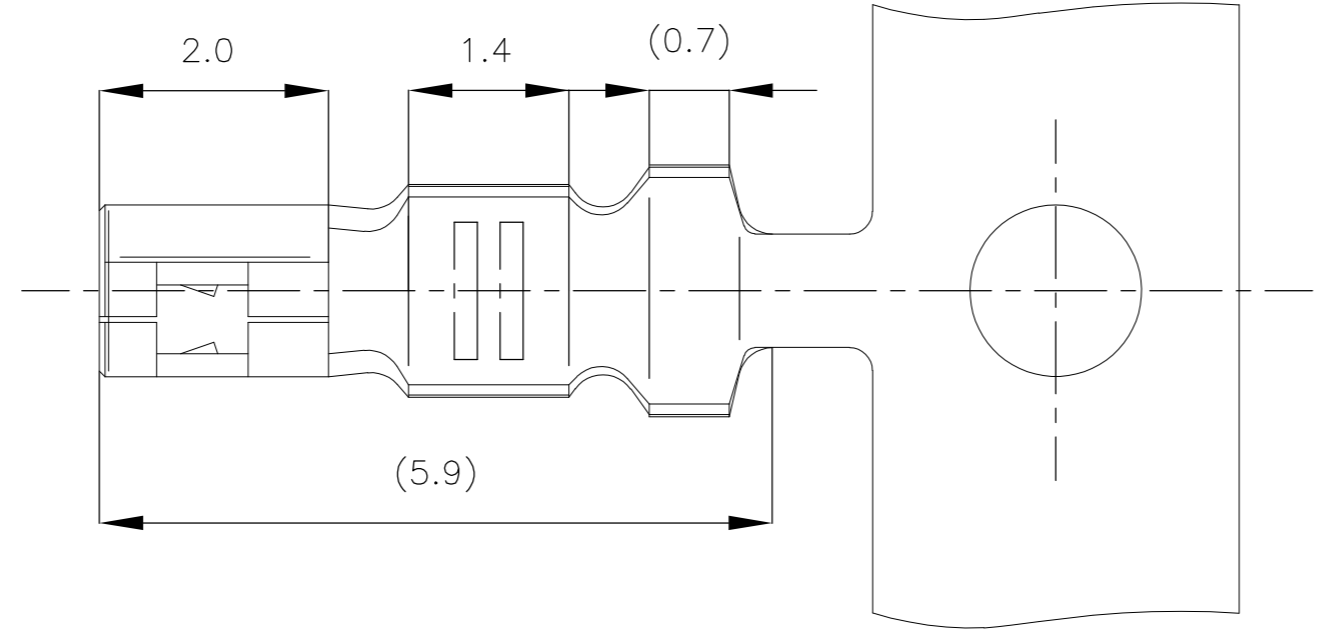
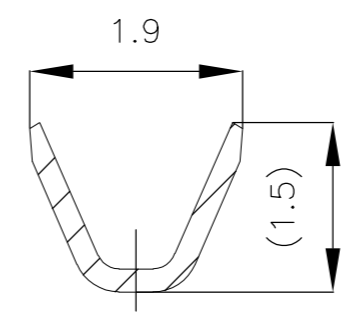
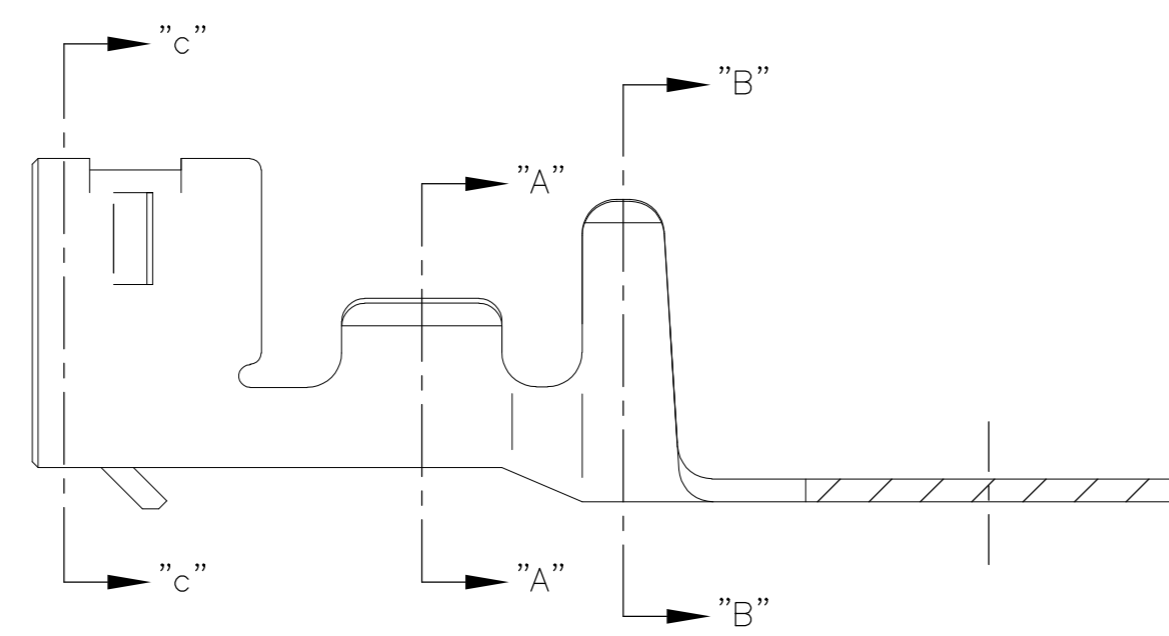
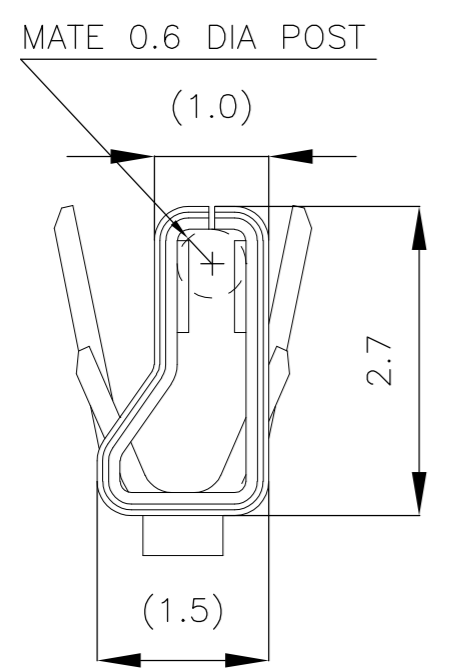


THIS DRAWING IS UNPUBLISHED. RELEASED FOR PUBLICATION
 © COPYRIGHT - By - ALL RIGHTS RESERVED.

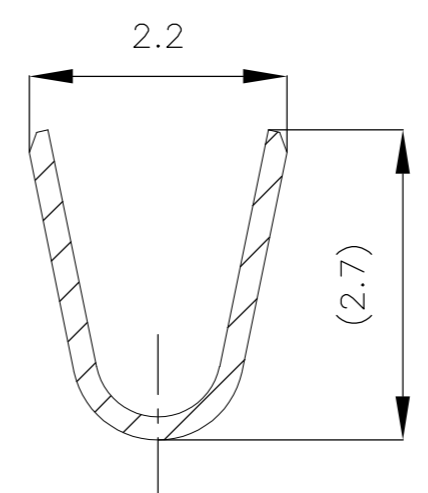
LOC	DIST	REVISIONS			
P	LTR	DESCRIPTION	DATE	DWN	APVD
ES	00	B3	REVISED PER ECO-11-005033	24MAR11	RK HMR



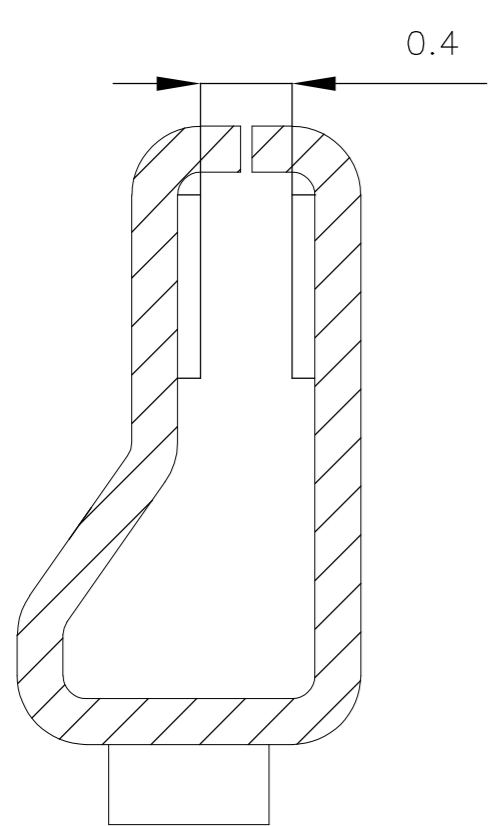
NOTES:
 1. USE HOUSING: P/N 179228



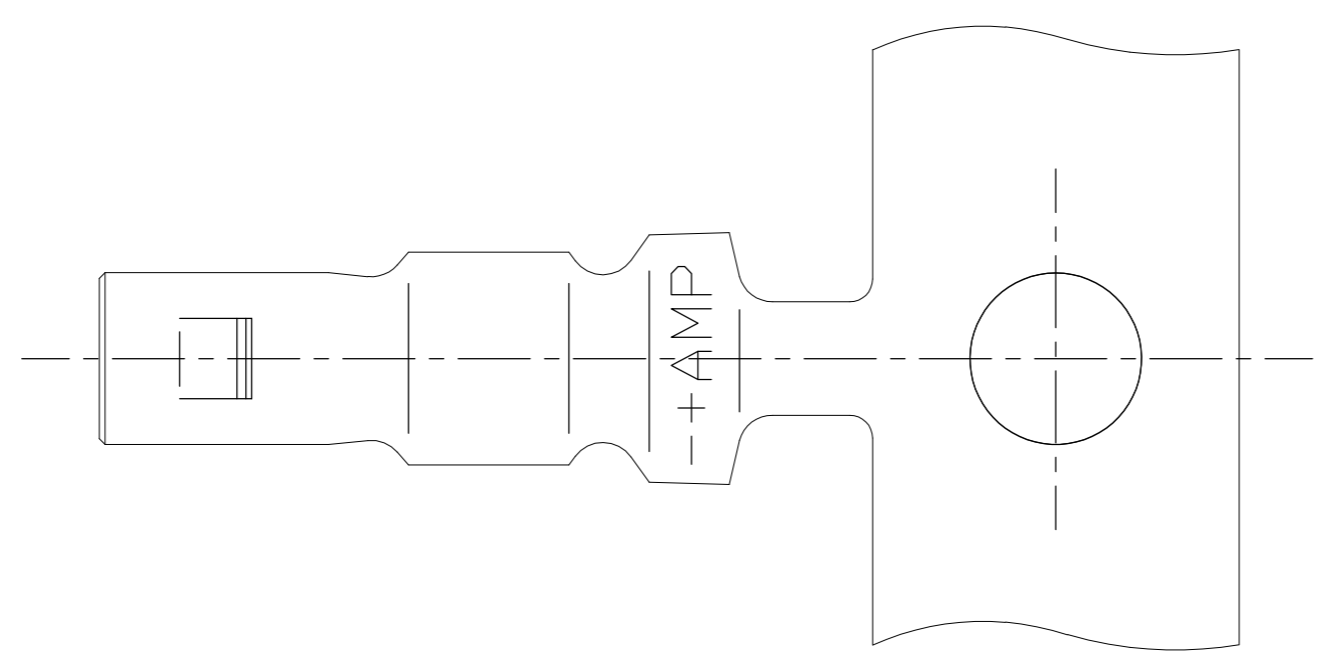
SECT "A"- "A"



SECT "B"- "B"



SECT "C"- "C"
 SCALE 20-1



GOLD PLT PHOSPHOR BRONZE (0.2t)	179227-4
PRE TINNED PHOSPHOR BRONZE (0.2t)	179227-1
MATERIAL & FINISH	PART NO.

GENERAL TOLERANCE
 0 < * ≤ 10: ±0.2
 10 < * ≤ 30: ±0.25
 30 < * ≤ 100: ±0.3
 ANGLES: ±3°

THIS DRAWING IS A CONTROLLED DOCUMENT.		DWN T. FURUYA 12NOV93		TE Connectivity		
DIMENSIONS: mm		CHK S. KUBOUCHI 15NOV93		NAME		
TOLERANCES UNLESS OTHERWISE SPECIFIED		APVD S. KUBOUCHI 15NOV93		PRODUCT SPEC		
0 PLC ± 1 PLC ± - 2 PLC ± - 3 PLC ± - 4 PLC ± - ANGLES ± -		PRODUCT SPEC 108-60029		CRIMP TYPE II RECEPTACLE CONTACT (AMP CT CONNECTOR 2mm PITCH)		
MATERIAL SEE TABLE		FINISH SEE TALBE	APPLICATION SPEC 114-5179	SIZE A2	CAGE CODE 00779	
			WEIGHT	DRAWING NO C=179227	RESTRICTED TO	
			CUSTOMER DRAWING	SCALE NTS	SHEET 1 of 1	
				REV B3		