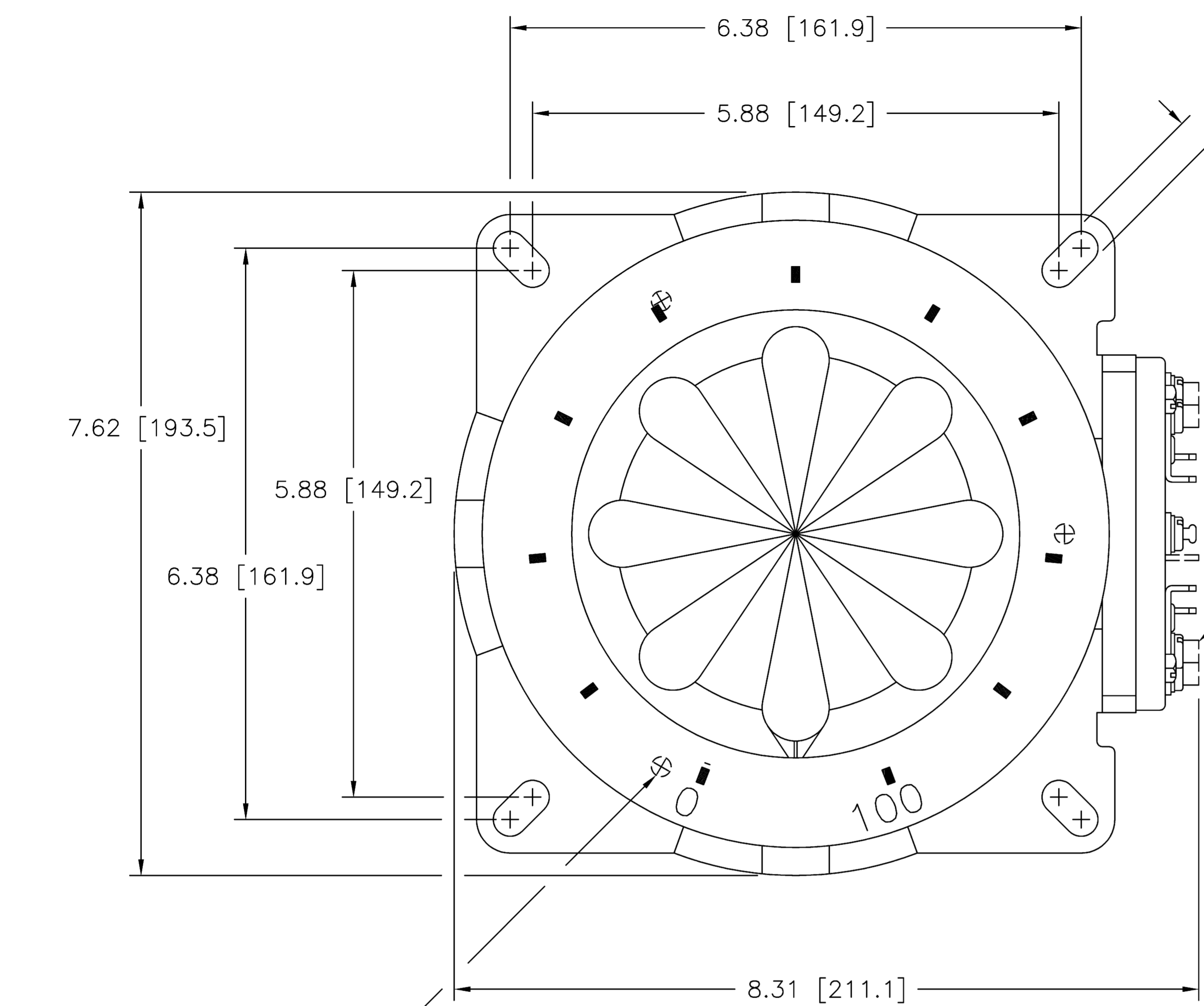


DWG. NO.	031-4301		
REVISIONS			
SYM.	E.C.N.	DATE	APVD.
G	21675	12/04/91	REVISED & REDRAWN
H	25591	10/25/05	TERM. #1 WAS 240V
J	28522	6/15/16	CORRECTED SCHEMATIC VIEW



1/4-28 X .38 [9.6] DEEP  
(3) HOLES 120° APART  
ON A 6.00 [152.4] DIA.  
BOLT CIRCLE

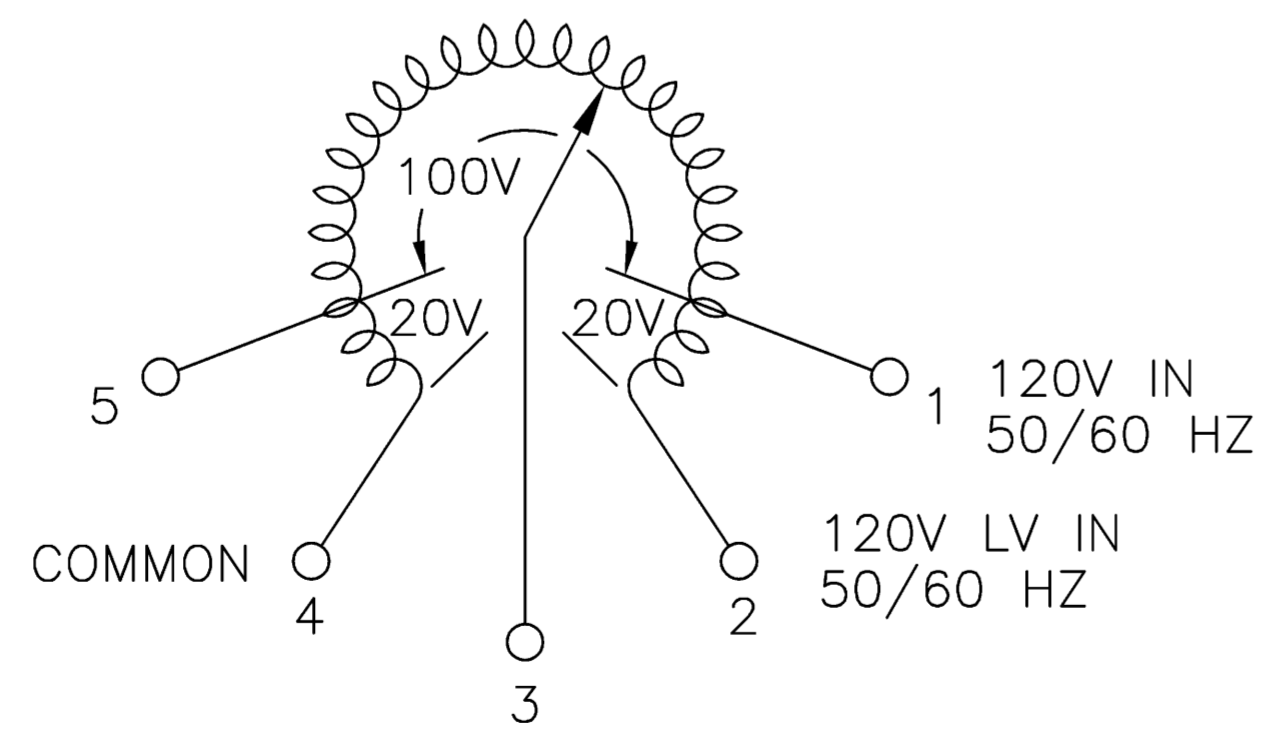
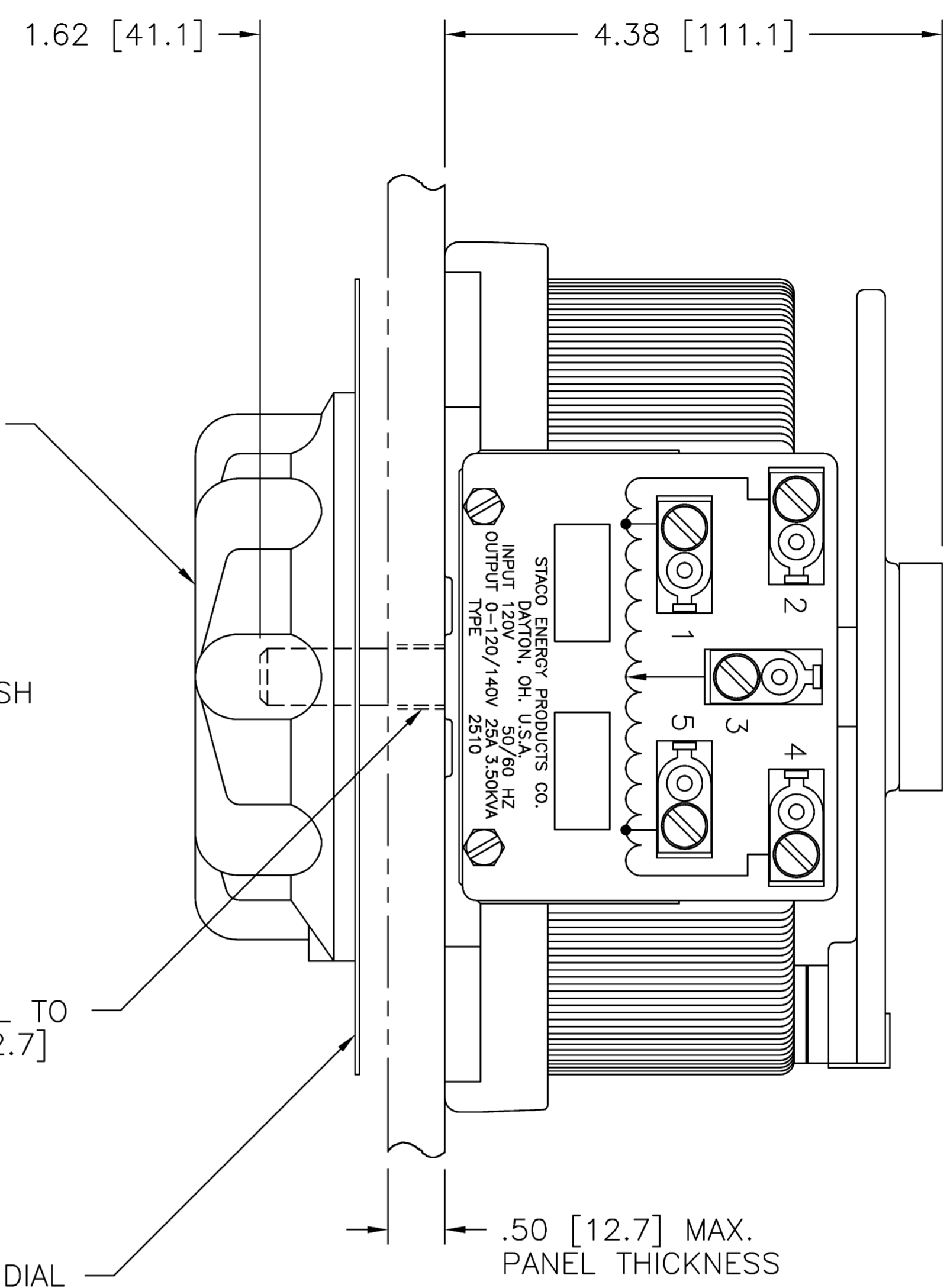
(4) SLOTS FOR .38 [9.6]  
DIA. MOUNTING HARDWARE

OPTIONAL TERMINALS FOR PUSH  
ON OR SOLDER CONNECTIONS  
(.032 X .250) [0.8 X 6.4]

5.00 [127.0]  
DIA. KNOB

HOLE IN PANEL TO  
CLEAR .50 [12.7]  
DIA. SHAFT

7.00 [177.8] DIA. DIAL  
PLATE GRADUATED (0-100)



SCHEMATIC  
AS VIEWED FROM BASE END

SPECIFICATIONS											
WIRING	INPUT		OUTPUT				SHAFT ROTATION TO INCREASE VOLTAGE	TERMINAL CONNECTIONS			
	VOLTS	HERTZ	VOLTS	CONSTANT CURRENT LOAD		CONSTANT IMPEDANCE LOAD		FOR INCREASING VOLTAGE AS VIEWED FROM BASE END			
				MAX. AMPS	MAX. KVA	MAX. AMPS		MAX. KVA	INPUT	JUMPER	OUTPUT
SINGLE PHASE	120	50/60	0-120	25	3.00	30	3.6	CW	2-4	---	4-3
			0-140	25	3.50	---	---	CCW	2-4	---	2-3
								CW	1-4	---	4-3
								CCW	2-5	---	2-3

UNLESS OTHERWISE SPECIFIED, TOLERANCE IS ±  
DECIMALS: HOLES .005 ANGLES 1° DRAFT 1-1/2°  
XX .010  
XXX .005

MATERIAL: ALL DIMENSIONS APPLY AFTER PLATING

UNITS IN [mm]

TITLE: SPEC. CONTROL DRAWING  
VARIABLE TRANSFORMER  
TYPE: 2510

DRAWN BY: K. TOLLIVER DATE: 11/27/91 FIRST USED ON: 2510 DO NOT SCALE DWG.

CHECKER: DATE: WEIGHT APPROX: 21 LBS. CASE CODE: 83008 DWG. NO. 031-4301

ENGINEER: DATE: SCALE: 1=1 SHEET 1 OF 1

**STACO ENERGY PRODUCTS CO.**  
A Components Corporation of America Company  
302 Gaddis Boulevard Dayton, Ohio 45403 USA