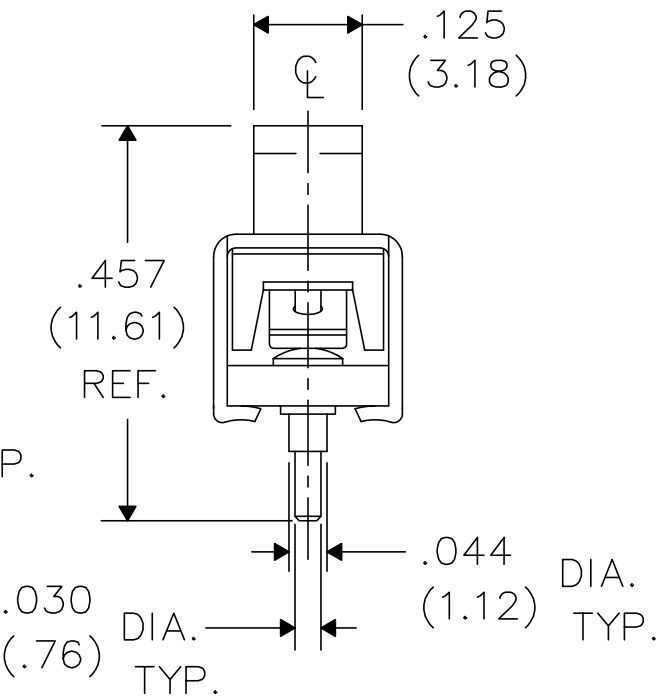
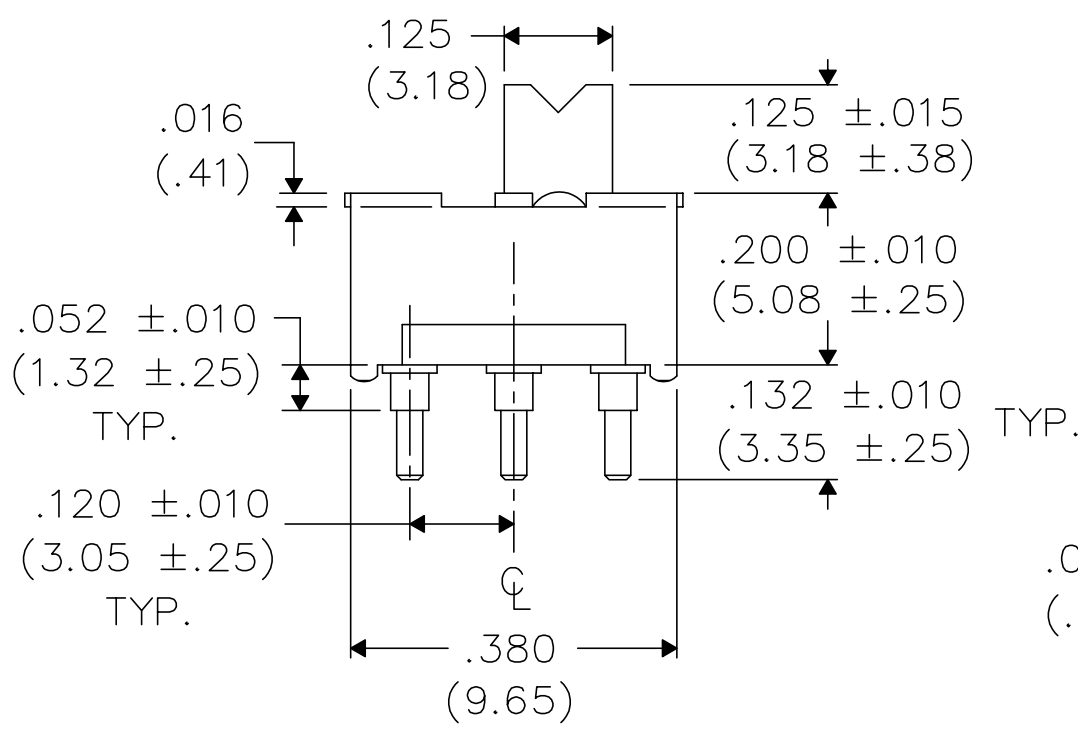
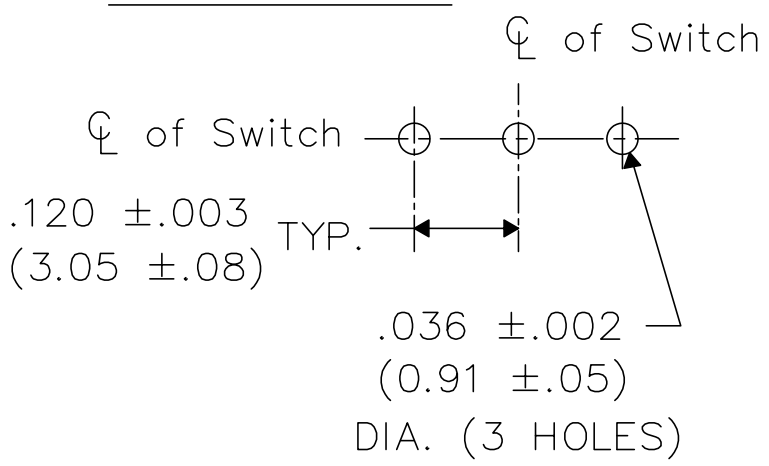
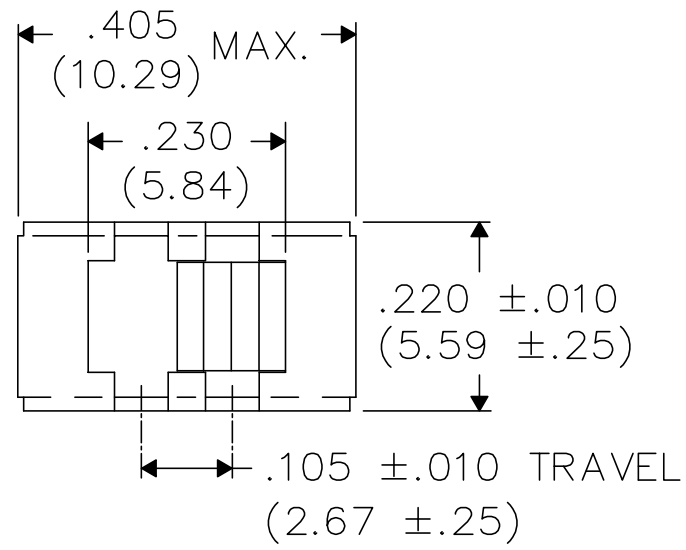


P.C. LAYOUT



1	2	3	4	5	6	7	8	9	10
---	---	---	---	---	---	---	---	---	----

FORM-B4
REVISIONS
RELEASED.
DGW 3-14-2001

0									
---	--	--	--	--	--	--	--	--	--

CW INDUSTRIES
Southampton, Pa. 18966

TOLERANCES UNLESS OTHERWISE SPECIFIED

2 Place Decimal ±.010	METRIC
3 Place Decimal ±.005	1 Place Dec. ±.25mm
Angles ±1°	2 Place Dec. ±.13mm

Made for: CW IND.
Drawn by: DGW 3-14-2001
Checked by: GG 3-19-01
Approval: BF 3-19-01

Title:
SWIDGET Jr.
ASSEMBLY
S.P.- D.T.

Division:
SWITCH

Dwg. No.
GS-115-0047