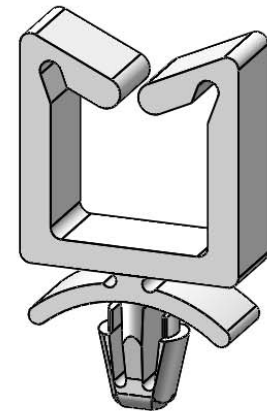
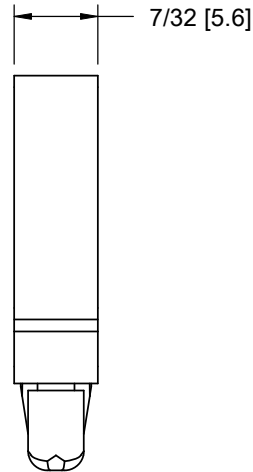
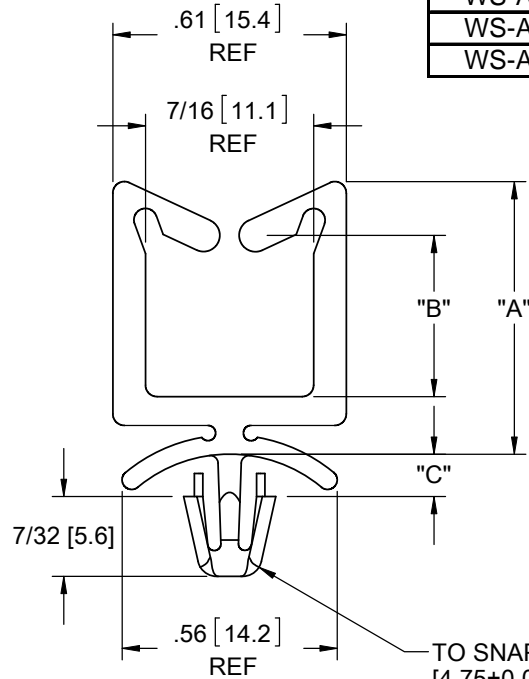


PART NO.		DIM. "A" REF	DIM. "B" REF	DIM. "C" REF	PANEL THICKNESS
NYLON 6/6 UL 94 V-2 (RMS-01)	NYLON 6/6 UL 94 V-0 (RMS-19)				
WS-A-1-01	WS-A-1-19	.52 [13.2]	.19 [4.8]	.11 [2.8]	1/16 [1.6]
WS-A-2-01	WS-A-2-19	.71 [18]	.38 [9.7]		
WS-A-3-01	WS-A-3-19	1.07 [27.2]	.74 [18.8]		
WS-A-4-01	WS-A-4-19	1.38 [35]	1.05 [26.7]		
WS-A-2-1-01	WS-A-2-1-19	.52 [13.2]	.19 [4.8]	.15 [3.8]	1/8 [3.2]
WS-A-2-2-01	WS-A-2-2-19	.71 [18]	.38 [9.7]		
WS-A-2-3-01	WS-A-2-3-19	1.07 [27.2]	.74 [18.8]		
WS-A-2-4-01	WS-A-2-4-19	1.38 [35]	1.05 [26.7]		



- NOTES:
 1. COLOR: NATURAL.
 2. ALTERNATE UNITS FOR REFERENCE ONLY.
 3. MATERIAL: NYLON 6/6 UVB (RMS-46).
 COLOR BLACK. AVAILABLE BY SPECIAL ORDER ONLY.
 TO ORDER REPLACE "-01" WITH "-UVB".

TITLE: WIRE SADDLE W/ ARROWHEAD



REV.	DESCRIPTION	ENGR.	DATE
F	SEE CO 200341 FOR CHANGES	SK	03/17/09
E	SEE CO 200033 FOR CHANGES	SK	09/25/07
D	REDRAWN, SEE ECN #1333 FOR CHANGES	SK	06/13/07
-	SEE ENGINEERING FOR REV A-C	-	----

CREATED USING SOLIDWORKS	FILE #: WS-A	DWN: SK	APP: RT
TOLERANCES UNLESS NOTED XX=±.010 .XXX=±.005 FRAC.=±1/64 ANG.=±1°	SHEET: 1 OF 1	SHEET SIZE: A	DT: 06/13/07
	RE: RICHCO, INC.		CHKD: RG

RICHCO, INC. ENG@RICHCO-INC.COM (773) 539-4060

DWG IN IN [MM] FINAL	PART # SEE TABLE	PRINT TYPE CA
-------------------------	----------------------------	-------------------------