

# Micro Miniature Pushbuttons with "Square Button" FSMCD/A & FSMRACD/A

## MATERIAL SPECIFICATIONS:

Contacts .....Copper alloy, silver plate  
 Case.....Polyamide  
 Actuator Button .....Polyacetal Resin  
 Frame .....Stainless Steel  
 Terminals .....Copper alloy, silver plate

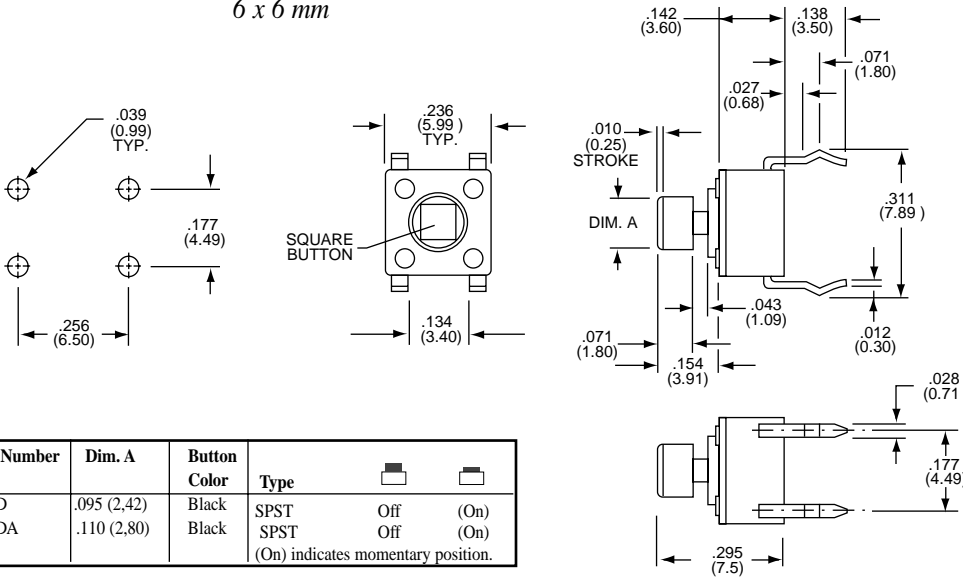
## TYPICAL PERFORMANCE CHARACTERISTICS:

Contact Rating .....50 mA @ 12 VDC  
 Initial Contact Resistance.....100 Milliohms Max.  
 Insulation Resistance .....100 Megohms min. @ 100 VDC  
 Dielectric Strength .....250 VAC  
 Actuation Force .....100 - 350 Grams  
 Actuator Travel ......010"(.254)  
 Life Expectancy .....100,000 Cycles

## ENVIRONMENTAL SPECIFICATIONS

Operating Temperature.....-4°F to +158°F (-20°C to +70°C)  
 Storage Temperature.....-22°F to +176°F (-30°C to +80°C)  
 Solder Heat Resistance.....See Page M6

6 x 6 mm

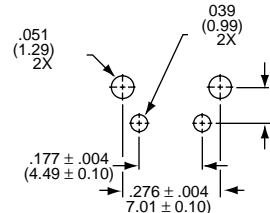
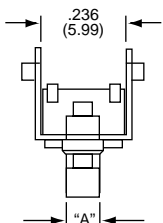


Model Number	Dim. A	Button Color	Type		
FSMCD	.095 (2,42)	Black	SPST	Off	(On)
FSMCDA	.110 (2,80)	Black	SPST	Off	(On)

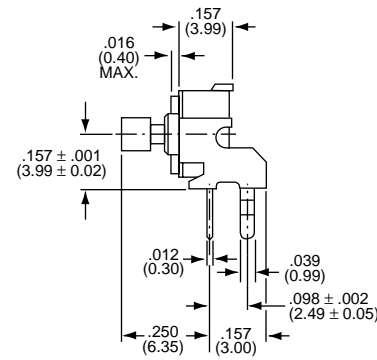
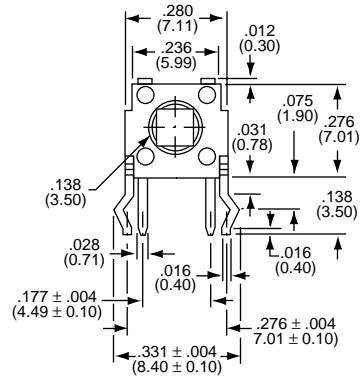
(On) indicates momentary position.



FSMCD/A



FSMRACD/A



Model Number	Dim. A	Button Color
FSMRACD	.095 (2,42)	Blue
FSMRACDA	.110 (2,80)	Black

**Need more technical information?**  
 Consult your Thomas & Betts  
 sales office listed on the back cover