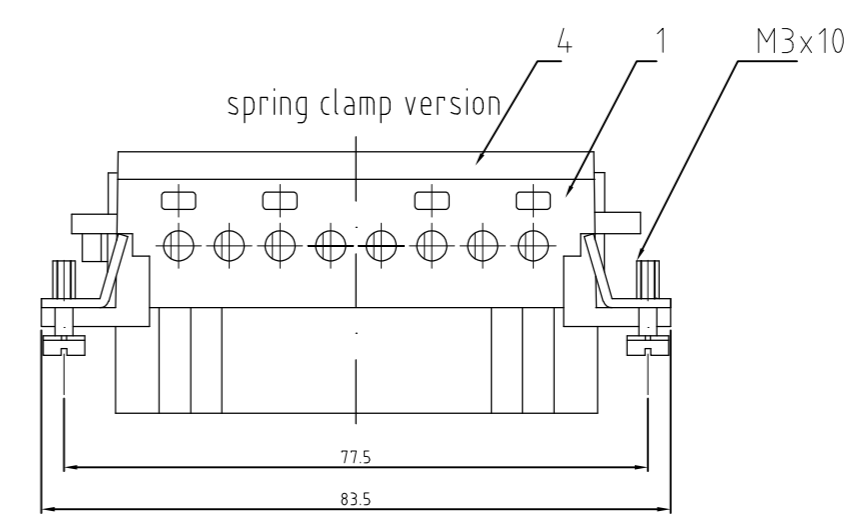
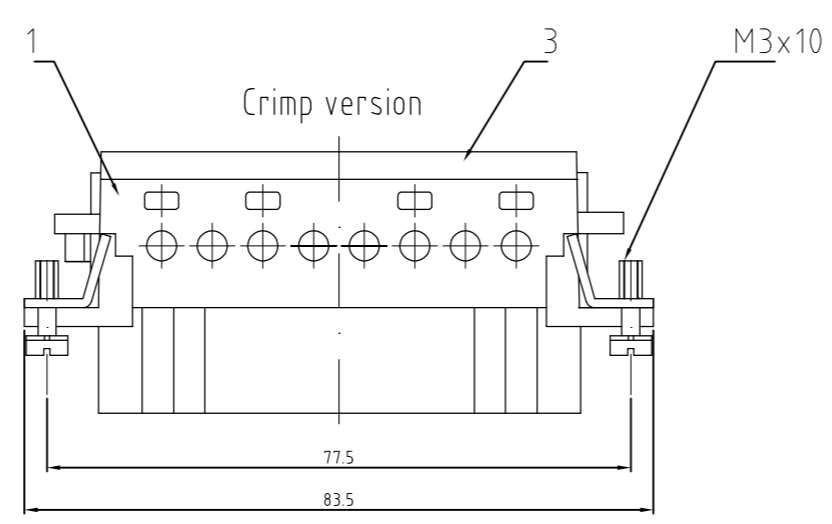
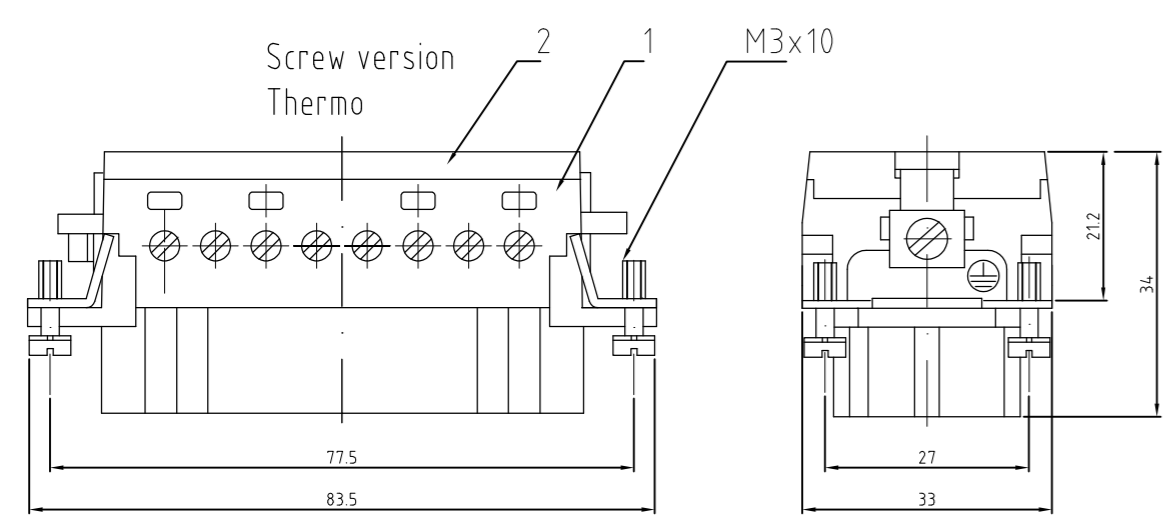
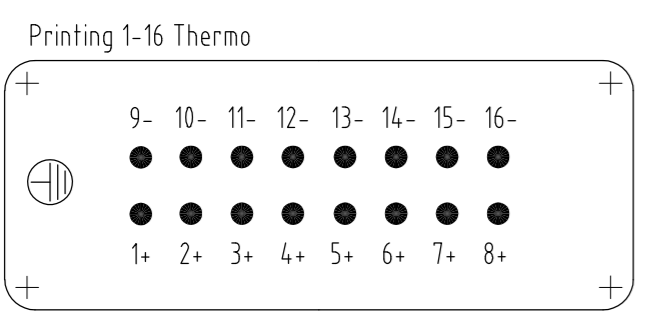


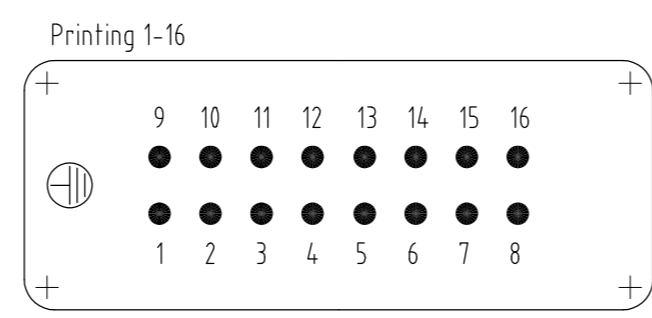
LOC	DIST	REVISIONS					
AI	-	P	LTR	DESCRIPTION	DATE	DWN	APVD
PROJEKT NR:	-	C8	text for packaging corrected	ECR-08-001868	22.01.08	SR	ST



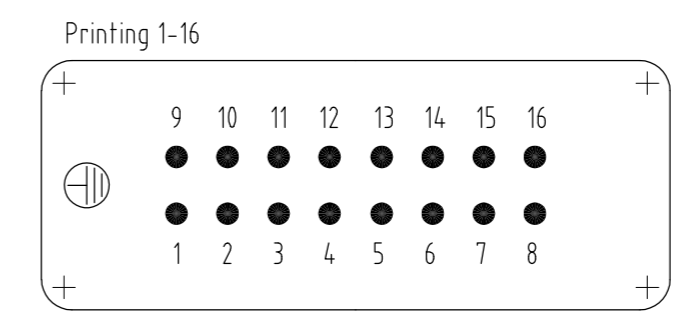
Contact arrangement view from termination side



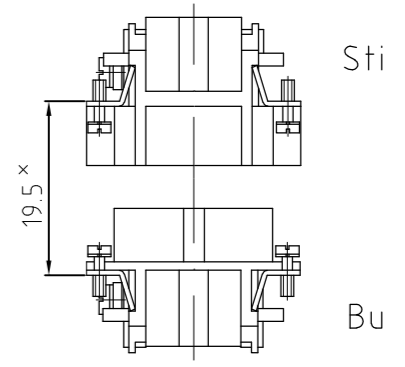
Contact arrangement view from termination side



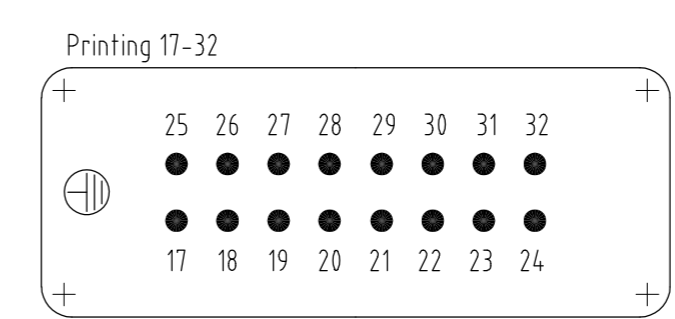
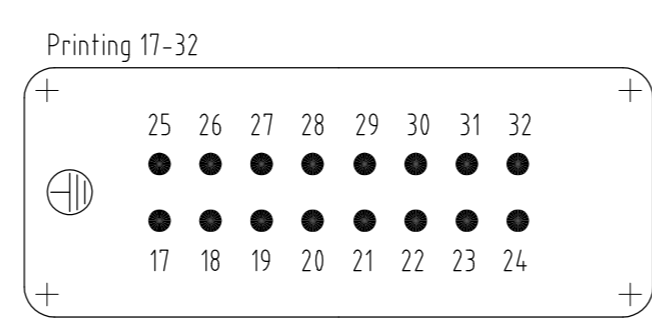
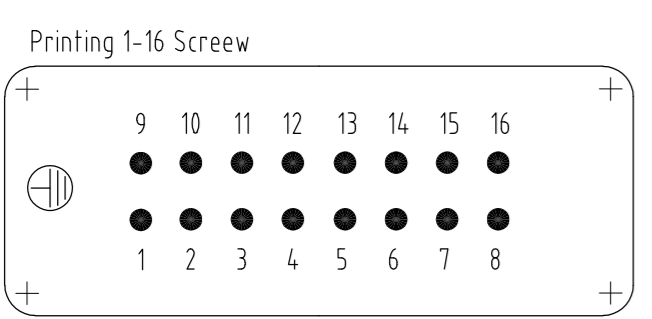
Contact arrangement view from termination side



assembly directions

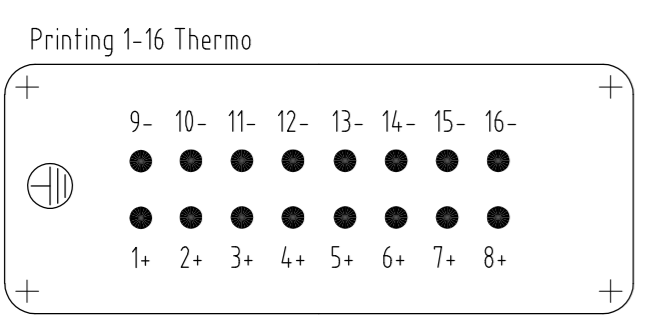


distance for a safe contact max: max: 21 mm

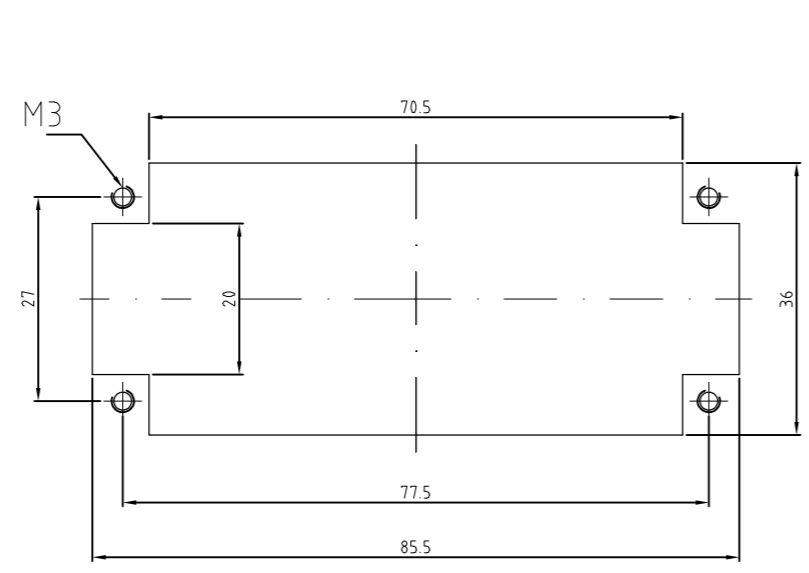


NOTES:

- SUITABLE CRIMP CONTACTS: SERIES HE/HA
OUTER DIMENSIONS OF INSULATION: MAX. Ø3,2 MM
- SUITABLE HOOD SIZE 6; 10; SERIES HB; HD;HIP;EMV
SUITABLE INSERTION AND EXTRACTION TOOL:
SCREWDRIVER 0,5x3 DIN 5264
- Strip lenght: Screw conection 10mm
Spring clamp conection 10mm Crimp conection 7.5mm
- STANDARDS:
DIN EN 61984; DIN EN 60664-1
- PACKAGING:
5 SETS IN A CARTON, PRE-MOUNTED
- SPECIAL PACKAGING: Krauss-Maffei
PACKAGING UNIT: 200 PIECES



Panel cut-out for contact insert when used without housing



1	1					Deckel Federklemmversion	lichtgrau	4	
					1 1	Deckel Crimpversion	lichtgrau	3	
1	1	1			1 1 1	Deckel Schraubversion	lichtgrau	2	
1	1	1	1	1	1 1 1 1 1	Buchsenensatz	lichtgrau	1	
0-1	1-8	9-5	7-9	7-1	2-9	2-3	1-9	1-7	1-1
△	△	△	△	△	△	△	△	△	△
HE.16.Bu.S.B1-16 KM	HE.16.Bu.S.-T.B.8+4+4	HE.16.Bu.S.B1-16-AU	HE.16.Bu.S.C.B.17-32	HE.16.Bu.S.C.B.1-16	HE.16.Bu.C.B.17-32	HE.16.Bu.C.B.1-16	HE.16.Bu.S.B.17-32	HE.16.Bu.S.-T.B.1-16	HE.16.Bu.S.B.1-16
ORDERING TEXT / BESTELLTEXT						<p>THIS DRAWING IS A CONTROLLED DOCUMENT FOR AMP INCORPORATED. IT IS SUBJECT TO CHANGE AND THE CONTROLLING ENGINEERING ORGANIZATION SHOULD BE CONTACTED FOR THE LATEST REVISION. DIESES ZEICHNUNGSDOKUMENT WIRD DURCH AMP INCORPORATED KONTROLLIERT. ÄNDERUNGEN, DIE DEM TECHNISCHEN FORTSCHRITT DIENEN, SIND VORBEHALTEN. DEN JEWEILS LETZTLIEGENDEN ÄNDERUNGSSTAND ERFAHREN SIE AUF ANFRAGE.</p> <p>DIMENSIONS: DIMENSIONEN: mm</p> <p>TOLERANCES UNLESS OTHERWISE SPECIFIED: ALLGEMEINTOLERANZEN: 0 PLC 1 PLC 2 PLC 3 PLC</p> <p>ANGLES / WINKEL FINISH / OBERFLÄCHE / FARBE</p>			
MATERIAL						<p>DWN Schneider 08.02.2000</p> <p>CHK Schweiger 08.02.2000</p> <p>APVD -</p> <p>PRODUCT SPEC PRODUKTSPEZ -</p> <p>APPLICATION SPEC VERARBEITUNGSSPEZ -</p> <p>WEIGHT GEWICHT -</p> <p>CUSTOMER DRAWING / KUNDENZEICHNUNG</p>			
<p>NAME HTS Elektrotechnik 53819 Neunkirchen, Germany</p> <p>Female insert HE.16.BU.C/S</p> <p>SIZE A2 CAGE CODE 00779 DRAWING NO ZEICHNUNGS-NR C=1103639 RESTRICTED TO NUR FÜR -</p> <p>SCALE MASSSTAB 1:1 SHEET BLATT 1 OF 1 REV C8</p>									