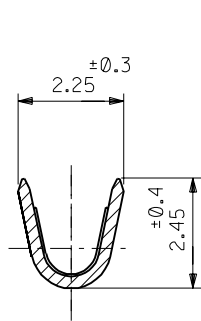
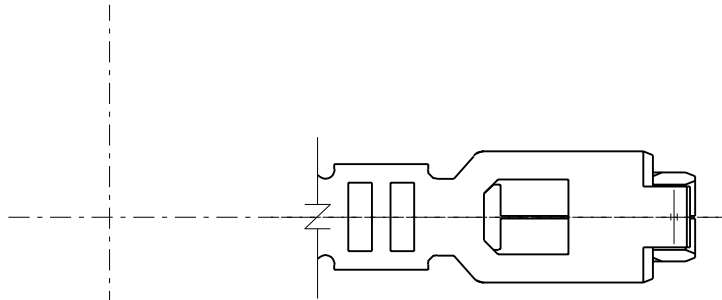
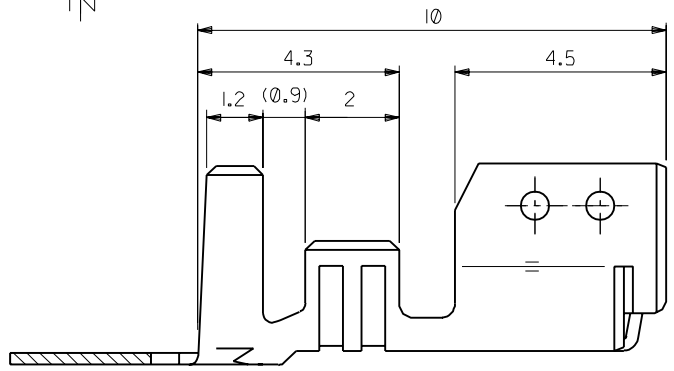
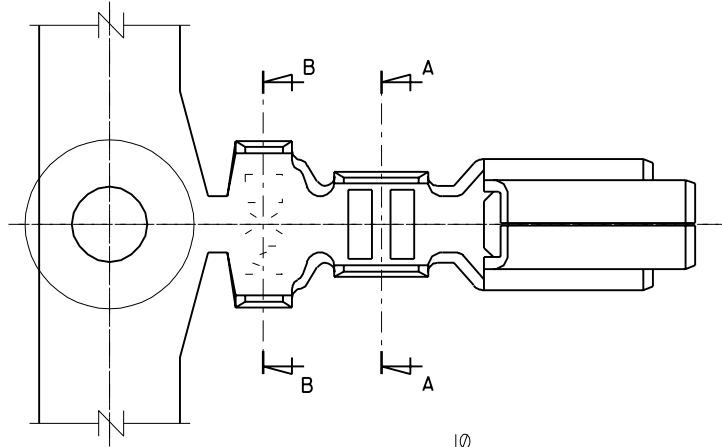
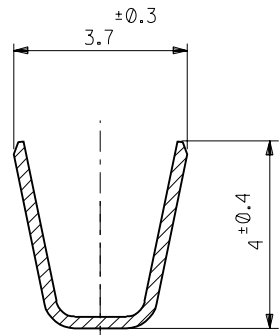


DIMENSIONS IN METRIC DO NOT SCALE DRAWING

ENG. NO. SD-50217-****
EDP NO.



SECT.A-A



SECT.B-B

注記

1. 適合ハウジング：51067-***00

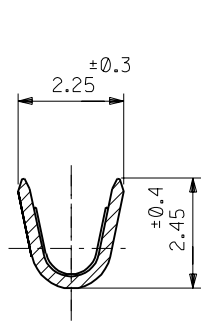
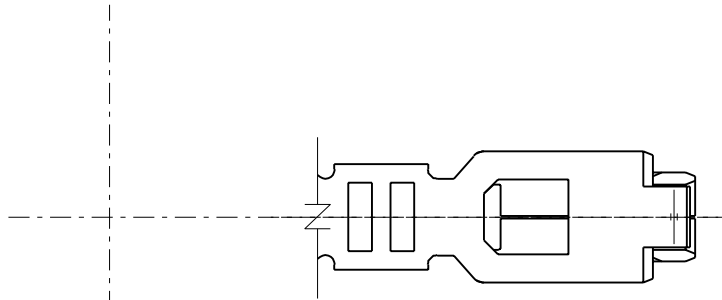
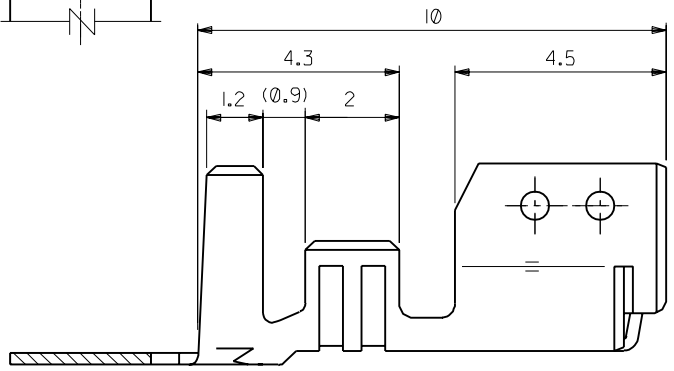
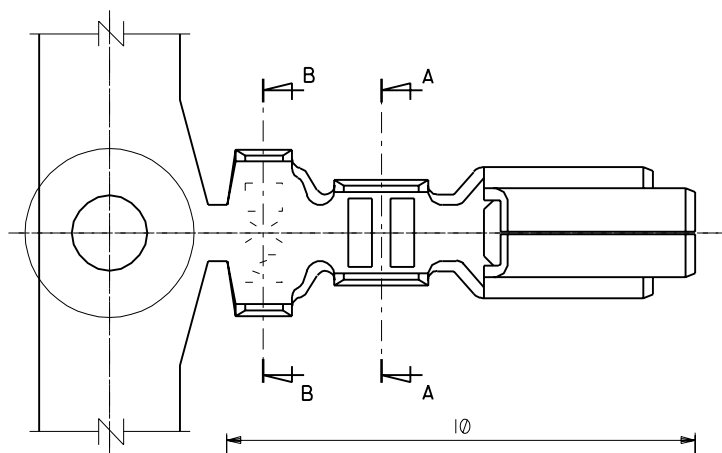
| | | |
|--------------------------|------------|------|
| リン青銅，錫メッキ (+ = 0.254) | 50217-8100 | バラ状 |
| | 50217-8000 | 連鎖状 |
| 黄銅，錫メッキ (+ = 0.254) | 50217-9101 | バラ状 |
| | 50217-9001 | 連鎖状 |
| 材 料 | ENG. NO. | 端子形状 |

| | | | | | | | | | | | | | | | | | | | | | | | | | | | |
|---|-------|-----------------------------|---------------|----------|-----|--|--|-----------|------|---------------|---------|-----------------|-------|-----------------|----------|------------|------|-----------------------------|---------------|-------------------------|--|---------------------------|--|--|--|---|--|
| <table border="1"> <tr> <td>角度 ANGLE</td> <td>±3°</td> <td></td> <td></td> </tr> <tr> <td>30以上 OVER</td> <td>+0.3</td> <td>A 変更 (J00226)</td> <td>90-2-28</td> </tr> <tr> <td>10以上 30未満 UNDER</td> <td>+0.25</td> <td>0 新規作成 (J91079)</td> <td>89-12-19</td> </tr> <tr> <td>10未満 UNDER</td> <td>+0.2</td> <td>記号 LTR 変更内容 REVISION RECORD</td> <td>DR. CHK. DATE</td> </tr> <tr> <td>一般公差 GENERAL TOLERANCES</td> <td></td> <td colspan="2">REVISE ONLY ON CAD SYSTEM</td> </tr> </table> | | | | 角度 ANGLE | ±3° | | | 30以上 OVER | +0.3 | A 変更 (J00226) | 90-2-28 | 10以上 30未満 UNDER | +0.25 | 0 新規作成 (J91079) | 89-12-19 | 10未満 UNDER | +0.2 | 記号 LTR 変更内容 REVISION RECORD | DR. CHK. DATE | 一般公差 GENERAL TOLERANCES | | REVISE ONLY ON CAD SYSTEM | | 材料 MATERIAL // 仕上げ FINISH // 適用電線範囲 WIRE RANGE AWG #18 ~ #24 被覆外径 INS. RANGE φ 1.4 ~ φ 3.0 DRAWN BY '89-12-19 K.ASAKAWA APP'D BY '90/11/15 M.ENOMOTO 尺度 SCALE // | | MOLEX MOLEX-JAPAN CO.,LTD. 日本モレックス株式会社 EDP. NO. ENG. NO. SD-50217-**** TITLE 名称 3.5 WIRE TO BOARD CONN. CRIMP RECEPTACLE REV A | |
| 角度 ANGLE | ±3° | | | | | | | | | | | | | | | | | | | | | | | | | | |
| 30以上 OVER | +0.3 | A 変更 (J00226) | 90-2-28 | | | | | | | | | | | | | | | | | | | | | | | | |
| 10以上 30未満 UNDER | +0.25 | 0 新規作成 (J91079) | 89-12-19 | | | | | | | | | | | | | | | | | | | | | | | | |
| 10未満 UNDER | +0.2 | 記号 LTR 変更内容 REVISION RECORD | DR. CHK. DATE | | | | | | | | | | | | | | | | | | | | | | | | |
| 一般公差 GENERAL TOLERANCES | | REVISE ONLY ON CAD SYSTEM | | | | | | | | | | | | | | | | | | | | | | | | | |

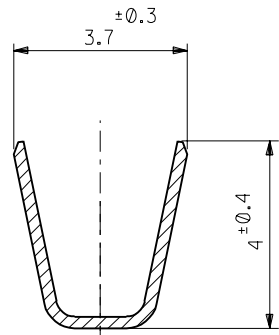
THIS DRAWING CONTAINS INFORMATION THAT IS PROPRIETARY TO MOLEX(JAPAN) AND SHOULD NOT BE USED WITHOUT WRITTEN PERMISSION
 本図面は日本モレックス(株)の所有する情報を含むもので 当社の許可なく複製を禁止する。

ENG. NO. SD-50217-****
EDP NO.

MM DIMENSIONS IN METRIC DO NOT SCALE DRAWING



SECT.A-A



SECT.B-B

NOTES

1. APPLICABLE HOUSING :51067-***0

| | | |
|------------------------------------|------------|-------|
| PHOS. BRO. PRE-TINNED (t=0.254) | 50217-8100 | LOOSE |
| | 50217-8000 | CHAIN |
| BRASS PRE-TINNED (t=0.254) | 50217-9101 | LOOSE |
| | 50217-9001 | CHAIN |
| MATERIAL | ENG. NO. | FORM |

| | |
|----------------------|----------------|
| 材料 MATERIAL | REFER TO CHART |
| 仕上げ FINISH | — |
| 適用電線範囲 WIRE RANGE | AWG#18~#24 |
| 被覆外径 INS. RANGE | φ 1.4 ~ φ 3.0 |
| DRAWN BY | CHK'D BY |
| S.AIHARA | M.FUKUSHIMA |
| APP'D BY | 尺 度 |
| M.ENOMOTO | SCALE — |

molex MOLEX-JAPAN CO.,LTD.
日本モレックス株式会社

EDP. NO.

ENG. NO. SD-50217-****

TITLE 名称
3.5 WIRE TO BOARD CONN.
CRIMP RECEPTACLE

| | | | | | |
|----------------------------|-------|---------------------------|-------------------------|-------------|------------|
| 角度 ANGLE | ±3° | | | | |
| 30以上 OVER | +0.3 | A | REVISED (J01176) | 5.3 | 90/11/14 |
| 10以上 30未 OVER UNDER | +0.25 | 0 | PROPOSED (J91079) | 4.3 | 89/12/18 |
| 10未 UNDER | +0.2 | 記号 LTR | 変更内容 REVISION RECORD | DR. CHK. | 日付 DATE |
| 一般公差 GENERAL TOLERANCES | | REVISE ONLY ON CAD SYSTEM | | | |

THIS DRAWING CONTAINS INFORMATION THAT IS PROPRIETARY TO MOLEX(JAPAN) AND SHOULD NOT BE USED WITHOUT WRITTEN PERMISSION
本図面は日本モレックス(株)の所有する情報を含むもので 当社の許可なく複製を禁止する。