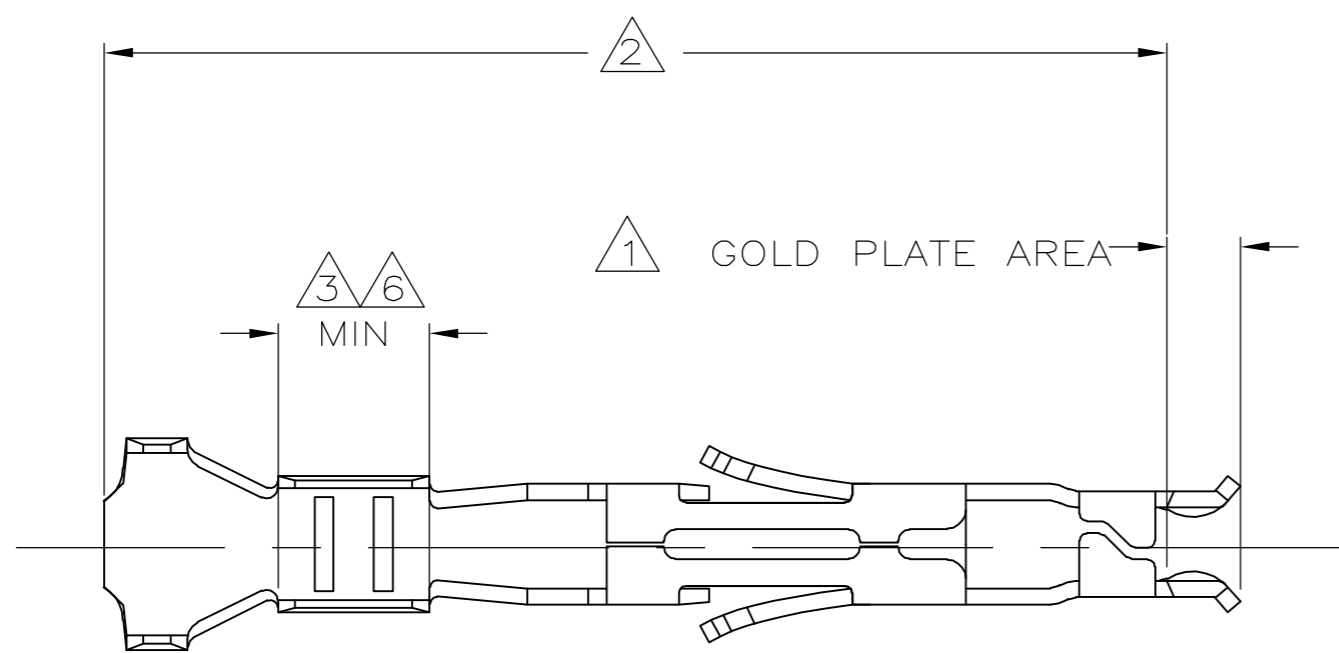
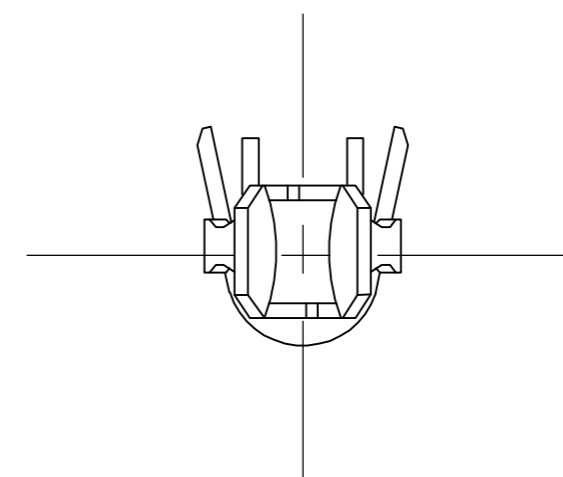
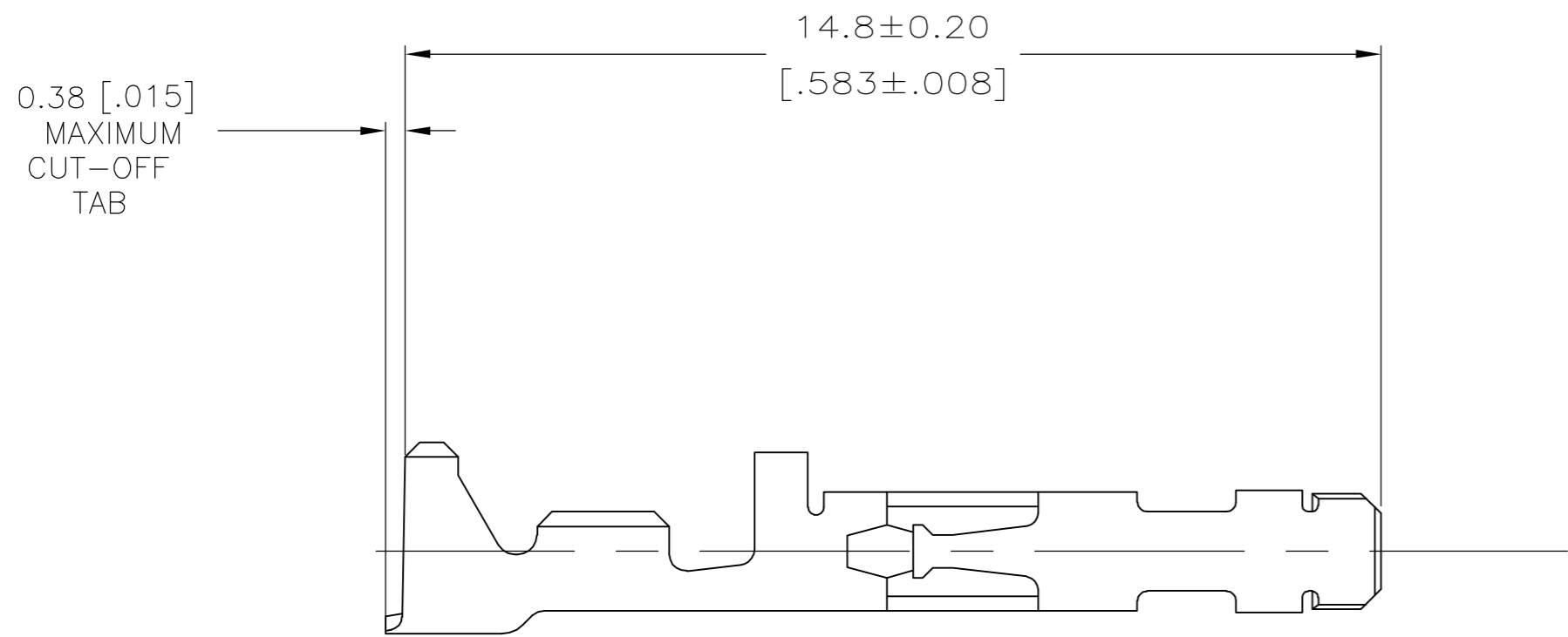


THIS DRAWING IS UNPUBLISHED. RELEASED FOR PUBLICATION
 © COPYRIGHT BY TYCO ELECTRONICS CORPORATION. ALL RIGHTS RESERVED.

LOC	DIST	REVISIONS					
CM	00	P	LTR	DESCRIPTION	DATE	DWN	APVD
		E		REVISED PER ECO-07-007565	04APR07	KE	CC



- ① FINISH: 0.76μm MIN GOLD OVER 1.27μm MIN NICKEL REQUIRED ON INNER SURFACE, PERMITTED ON OUTER SURFACE.
- ② FINISH: NICKEL BASE PLATE ON ALL SURFACES IN THIS AREA.
- ③ FINISH: 2.54μm MIN TIN-LEAD ON ALL SURFACES IN THIS AREA.
- 4. WIRE RANGE: 0.12-0.35mm² (26-22 AWG).
- 5. INSULATION RANGE: 1.20-1.75 [.047-.070] DIA.
- ⑥ FINISH: 2.54μm MINIMUM TIN ON ALL SURFACES IN THIS AREA.



1-794139-3	①②⑥	0.22 [.009] PHOS BRONZE	1-794142-3
794139-3	①②③	0.22 [.009] PHOS BRONZE	794142-3
STRIP	FINISH	MATERIAL	PART NUMBER

THIS DRAWING IS A CONTROLLED DOCUMENT.		DWN R. VESTAL 5-01-97	Tyco Electronics Corporation Harrisburg, Pa 17105-3608	
DIMENSIONS: mm [INCHES]		CHK R. SWING 5-01-97		
TOLERANCES UNLESS OTHERWISE SPECIFIED:		APVD E. BEILES 5-07-97	NAME CONTACT, SOCKET, AMP-DUAC(TM) POWER CONNECTOR, LOOSE PIECE	
0 PLC ± -		PRODUCT SPEC 108-1646	SIZE A2	CAGE CODE 00779
1 PLC ± -		APPLICATION SPEC 114-6067	DRAWING NO C=794142	RESTRICTED TO -
2 PLC ± 0.10		WEIGHT -	SCALE 10:1	SHEET 1 OF 1
3 PLC ± -		CUSTOMER DRAWING	REV E	
4 PLC ± -				
ANGLES ± -				
FINISH SEE TABLE				

METRIC

794142