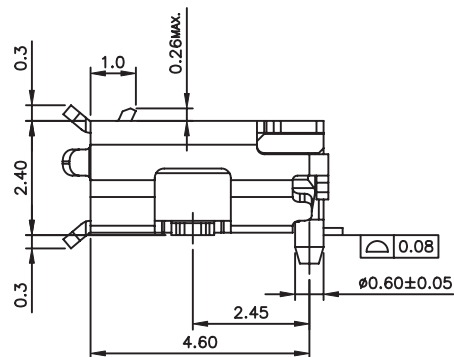
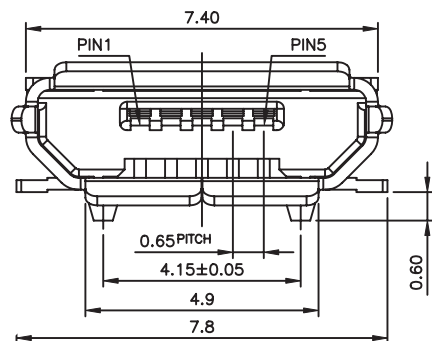


PCB LAYOUT - COMPONENT VIEW  
TOLERANCE: ±0.05mm



TECHNICAL CHARACTERISTICS

MATERIAL  
INSULATOR MATERIAL: LCP  
FLAMMABILITY RATING UL94-V0  
COLOUR: BLACK  
CONTACT MATERIAL: COPPER ALLOY  
CONTACT TYPE: STAMPED  
CONTACT PLATING: SELECTIVE GOLD  
SHIELDING: BRASS NI PLATED  
QUALITY CLASS: 10.000 MATING CYCLES

ENVIRONMENTAL  
OPERATING TEMPERATURE: -40 °C UP TO 105 °C  
COMPLIANCE: LEAD FREE AND ROHS

ELECTRICAL  
CURRENT RATING:  
- PIN 1 & PIN 5 (Vbus & corresponding ground PIN) 1.8A Max  
- OTHER PINS 1A max  
WORKING VOLTAGE: 30 V  
INSULATION RESISTANCE: >1000 MOHM  
DIELECTRIC WITHSTANDING VOLTAGE: 750 VAC/MN  
CONTACT RESISTANCE: 30 MOHM MAX

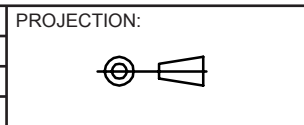
STANDARD  
CERTIFIED: E323964 / MODEL NUMBER 629105136821

SOLDERING  
REFLOW PROCESS ONLY

PACKAGING  
TAPE AND REEL

RoHS Compliant

N	05-MAY-14	TOP VIEW REVIEW	QL
M	07-JAN-14	CONTACT RES	QL
L	29-AUG-13	TPK DWG UPDATE	QL
K	18-FEB-13	DESIGNATION	AR
J	05-APR-12	CURRENT RATING	GG
I	05-APR-12	CURRENT RATING	GG
H	29-APR-11	PACKAGING	GG
REV	DATE	FILE	BY



GENERAL TOLERANCE  
.X = +/- 0.2  
.XX = +/- 0.15

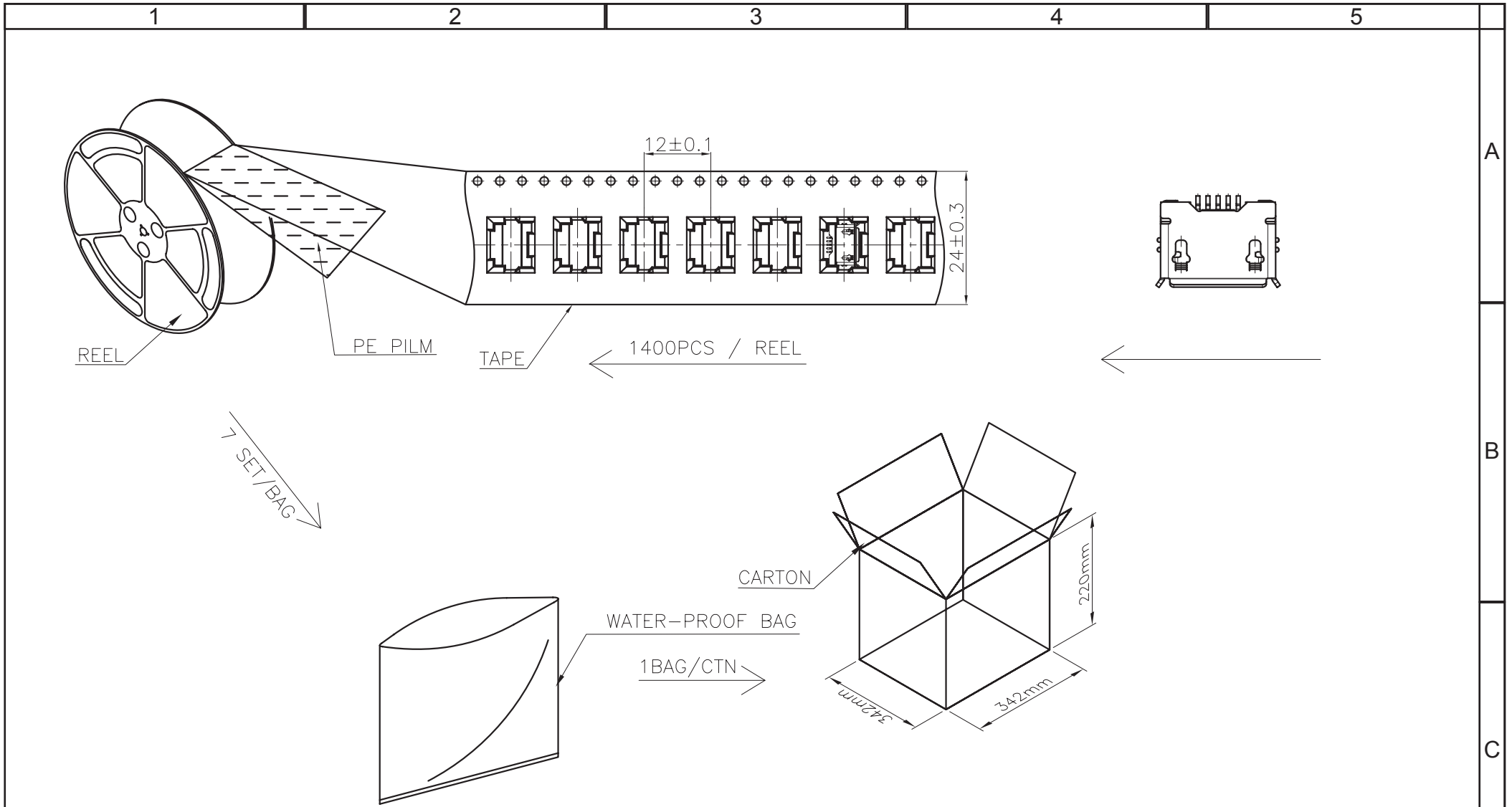


APPROVAL: RJ

UNIT: MM  
SCALE:  
SHEET: 1/2  
DRAW:

DESCRIPTION: MICRO USB 2.0 SMT TYPE B 5 CONTACTS  
WERI PART NO: 629 105 136 821

SIZE  
**A4**



RoHS Compliant				PROJECTION:	GENERAL TOLERANCE		DESCRIPTION: MICRO USB SMT TYPE B 5 CONTACTS WERI PART NO: 629105136821	SIZE <b>A4</b>
					.X = +/- 0.2 .XX = +/- 0.15			
				APPROVAL: RJ	UNIT: MM			
					SCALE:			
					SHEET: 2/2			
REV	DATE	FILE	BY		DRAW:			