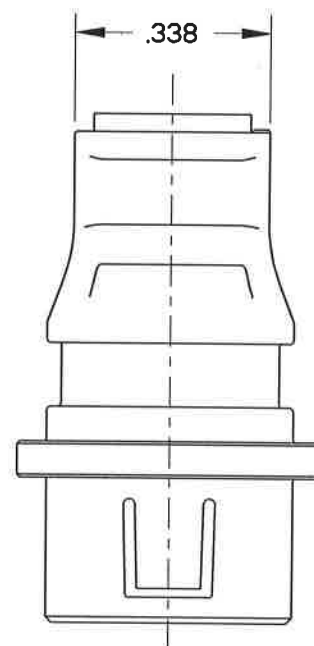
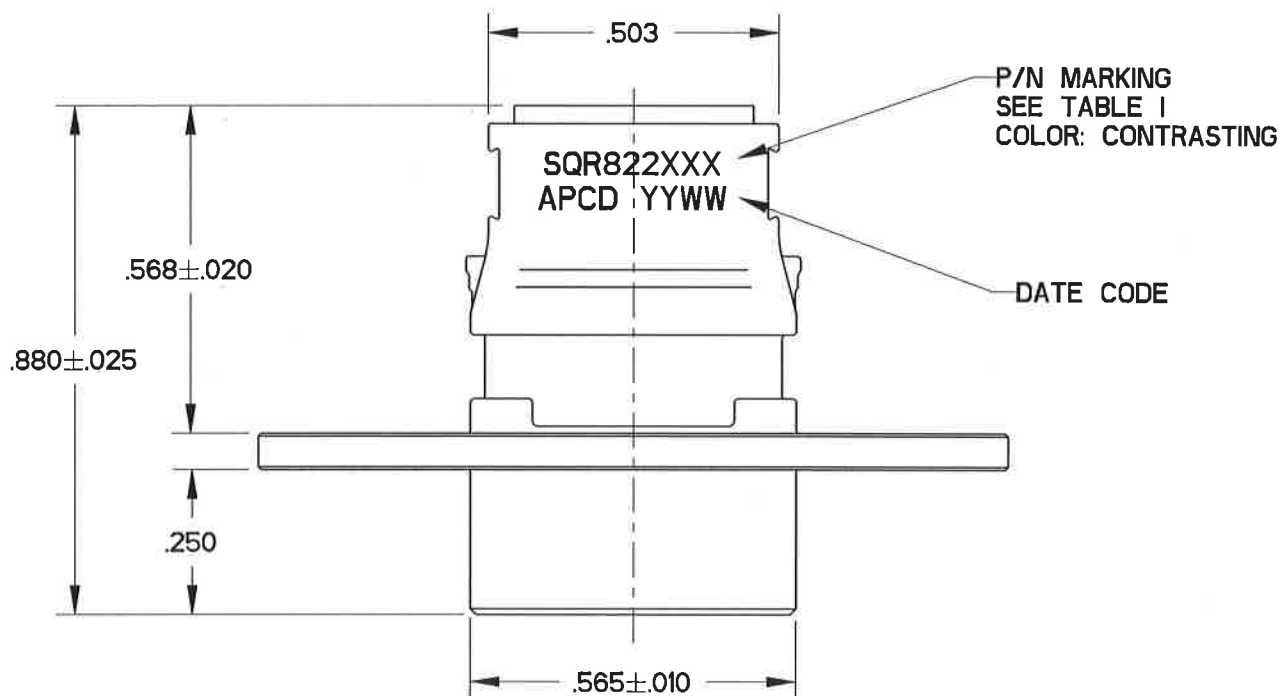
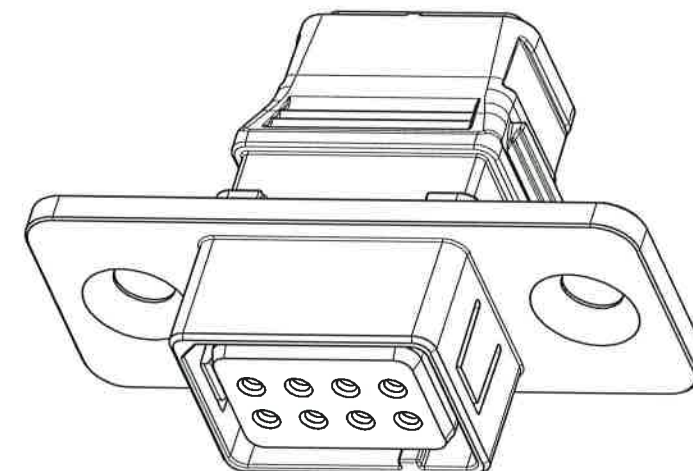
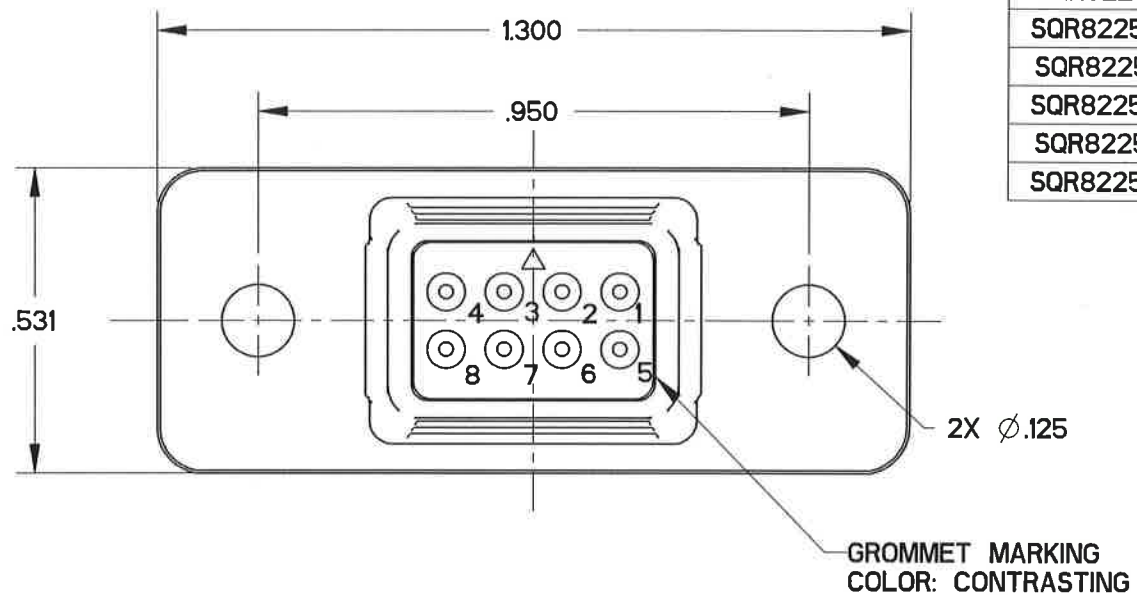


SQR822550

TABLE I - PART NUMBER SCHEME

APCD P/N	CONTACTS SUPPLIED	COLOR / KEY	P/N MARKING	PART MATES WITH
SQR822571	(8) M39029/57-354	WHITE / C	SQR822570	SQR822120
SQR822570	NONE			
SQR822561	(8) M39029/57-354	GREEN / B	SQR822560	SQR822110
SQR822560	NONE			
SQR822551	(8) M39029/57-354	BLACK / A	SQR822550	SQR822100
SQR822550	NONE			

REV	ECN	APP'D
-	7845	<i>12/28/16</i>



NOTES:

- MATERIALS:
 OUT HOUSING: POLYETHERIMIDE
 INNER HOUSING: POLYETHERIMIDE
 CONTACT RETAINER: STAINLESS STEEL
 GROMMET: SILICONE RUBBER PER A-A-59588
- PART ACCEPTS M39029/57-354 CONTACTS
- WEIGHT: 3.5g

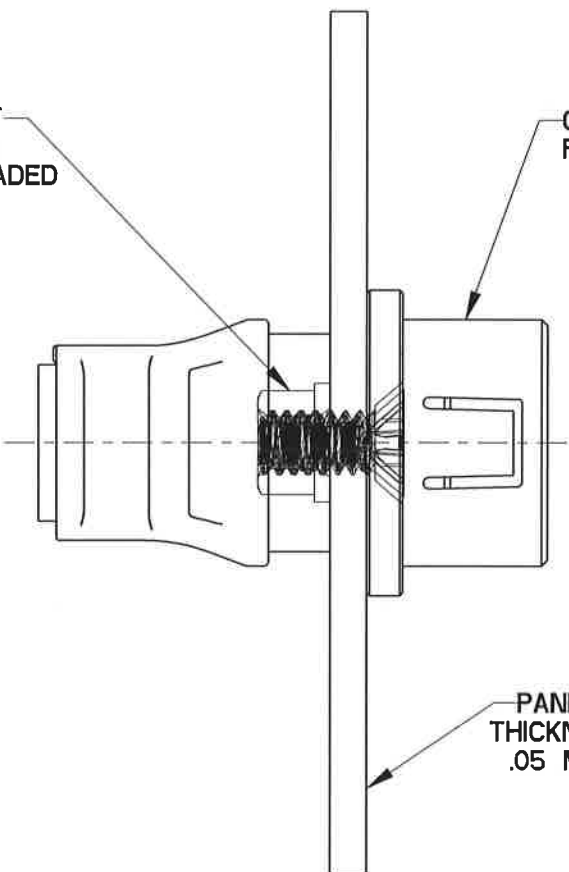
DIMENSIONS	TOLERANCES	PROJECTION	Amphenol Pcd SPECIFICATION DRAWING		TITLE 8 POS SIZE 22 RECEPTACLE FLANGE WITH SOCKET CONTACTS SQR SIZE 2		
ANSI Y14.5M UNITS: INCHES Pro/E FILE	.XX ±0.01 .XXX ±0.005 ANGLES ±2.0°		ENGR TONY.CHEN Apr-06-16	CHKD <i>William Sun 12/28/16</i>	SIZE B	DWG NO. SQR822550	REV -
ORIGINAL	THIS DOCUMENT CONTAINS PROPRIETARY INFORMATION WHICH IS THE CONFIDENTIAL PROPERTY OF AMPHENOL PCD INC., BEVERLY, MA		APPD <i>John 12/28/16</i>		CODE: 58982	SCALE: 3:1	SHEET 1 OF 2

SQR822550

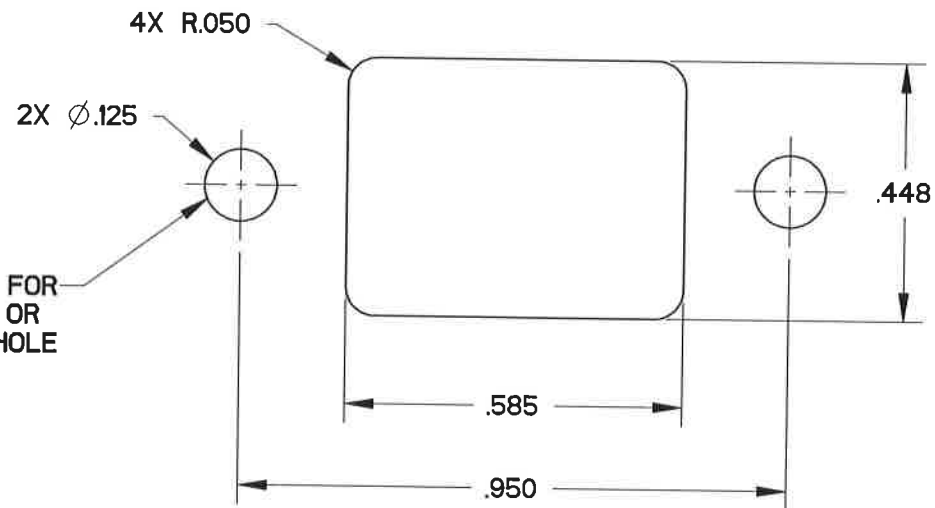
SQR822550

4-40 LOCKNUT
FOR USE WHEN
PANEL NOT THREADED

CONNECTOR MOUNTED
FORWARD OF PANEL



PANEL
THICKNESS
.05 MIN

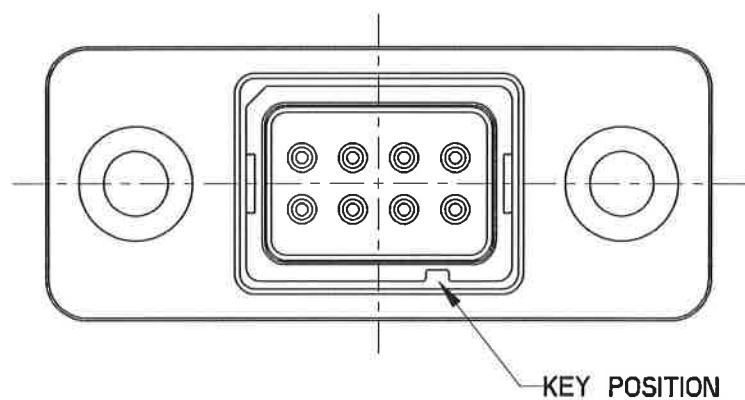


2X CLEARANCE FOR
#4 SCREW OR
TAPPED 4-40 HOLE

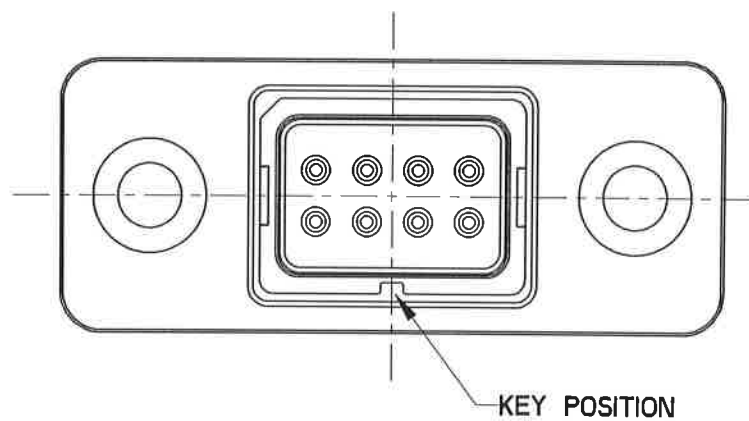
SCALE 3:1

RECOMMENDED PANEL CUT OUT FOR HARDWARE INSTALLATION

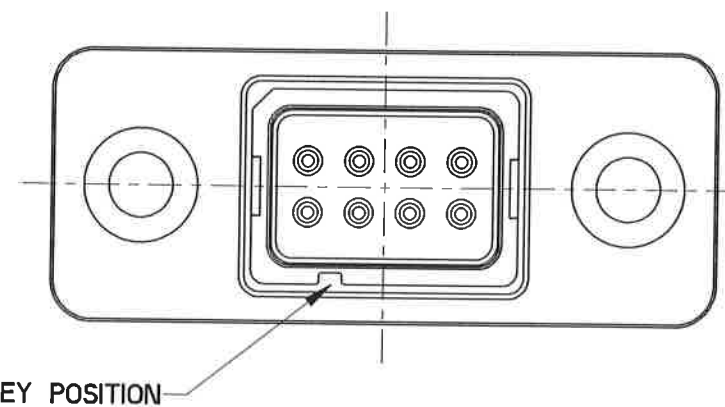
PANEL MOUNTING RECOMMENDATIONS



KEY A: SQR822550



KEY B: SQR822560



KEY C: SQR822570

SIZE	DWG NO.	REV
B	SQR822550	-
CODE: 58982	SCALE: 3:1	SHEET 2 OF 2