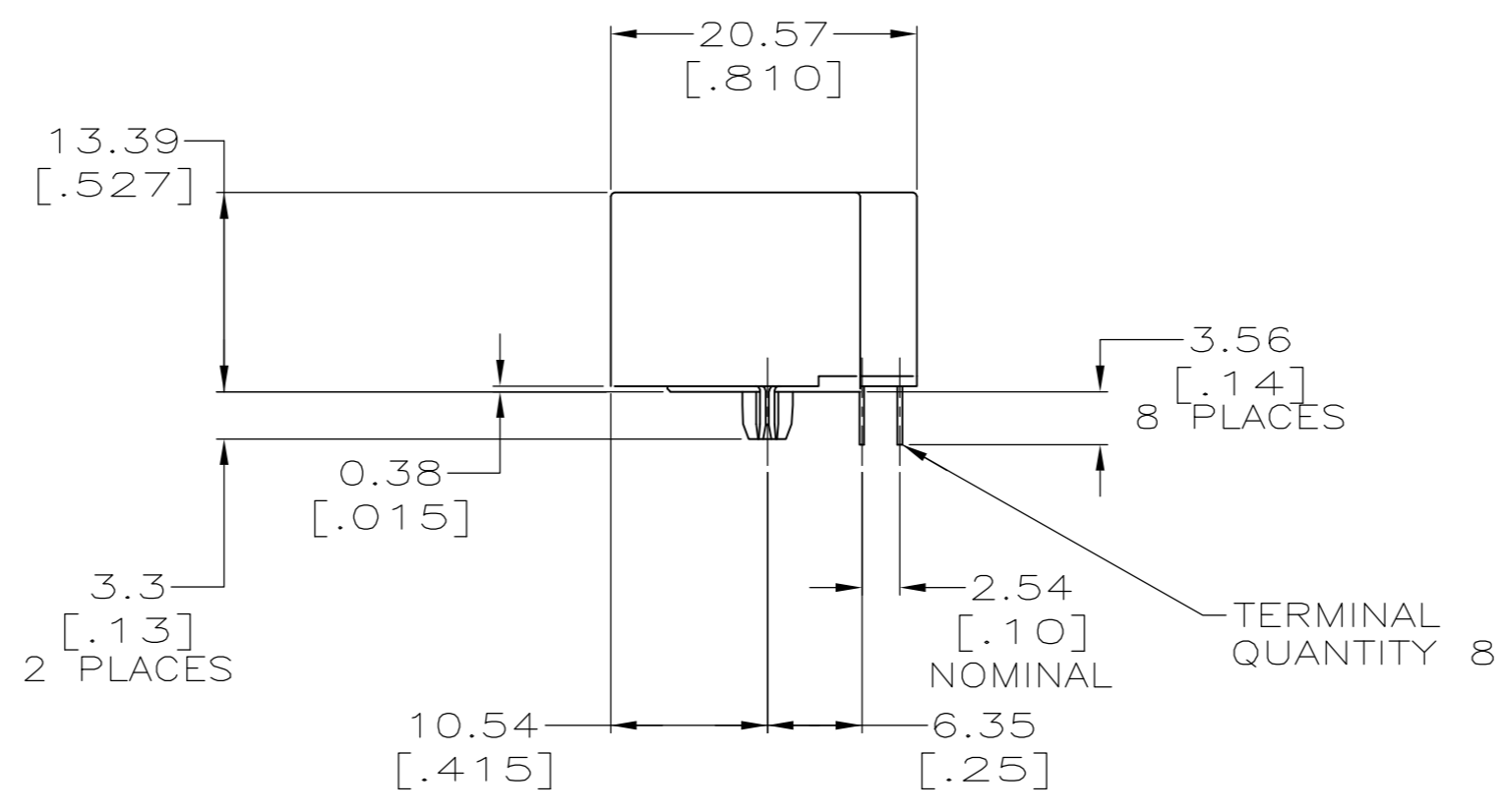
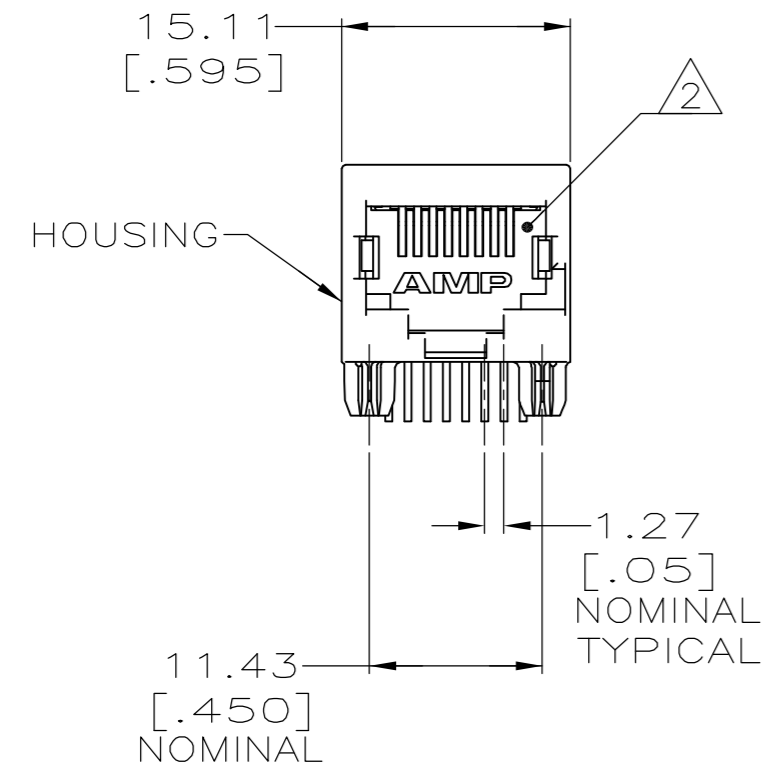
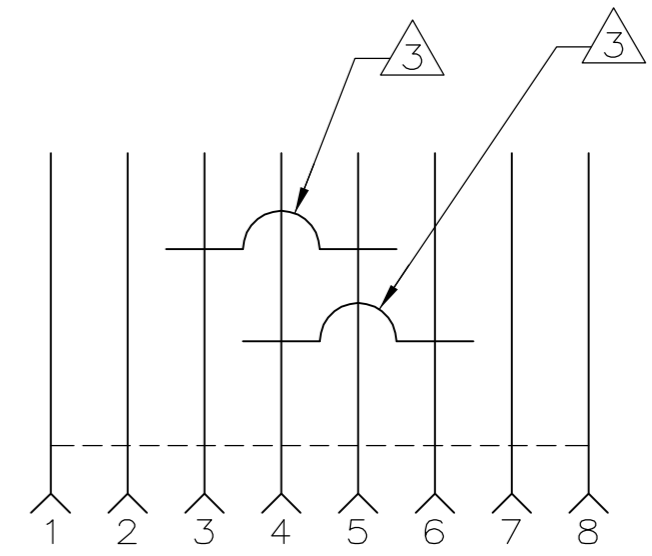
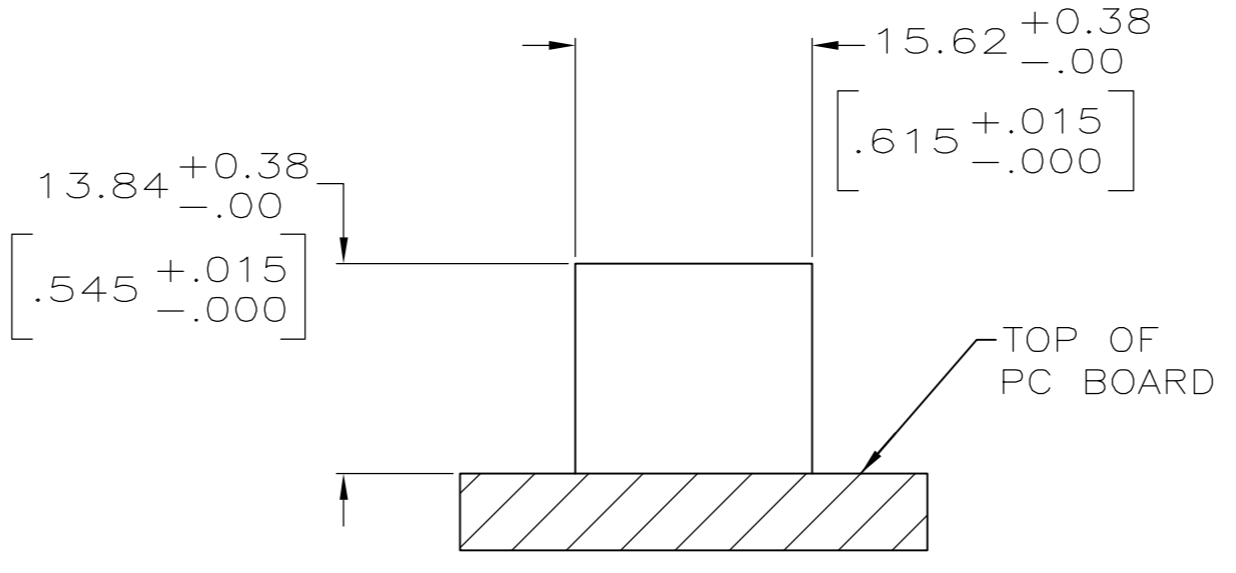
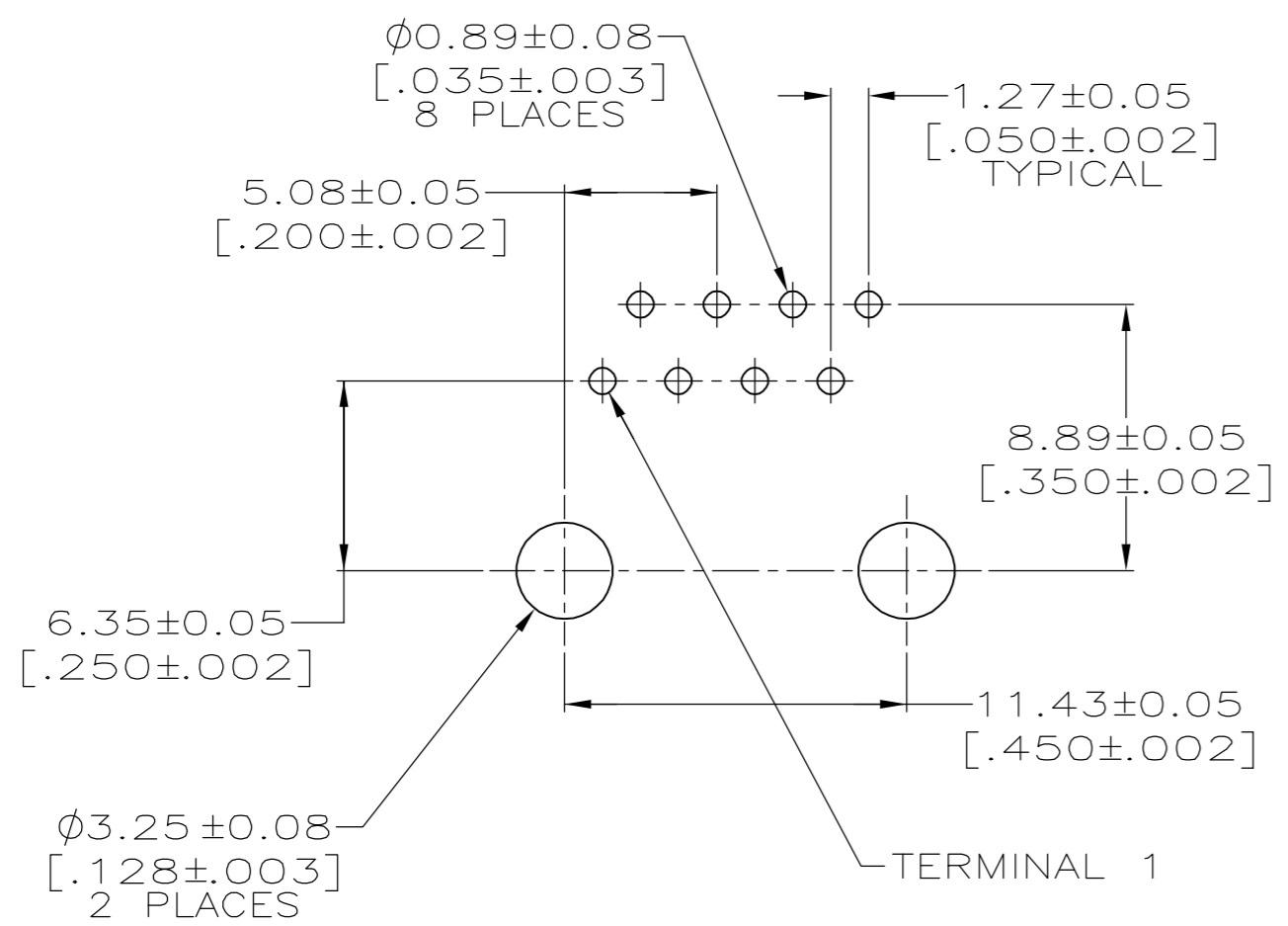


THIS DRAWING IS UNPUBLISHED. RELEASED FOR PUBLICATION  
 © COPYRIGHT BY TYCO ELECTRONICS CORPORATION. ALL RIGHTS RESERVED.

LOC	DIST	REVISIONS			
P	LTR	DESCRIPTION	DATE	DWN	APVD
AA	22	A	REV PER EC 0S11-0201-04	08JUN2005	LV SF



- ① MATERIAL: HOUSING - HIGH TEMPERATURE NYLON, BLACK, UL 94V-0, IR REFLOW COMPATIBLE. TERMINALS - 0.33[.013] THICK PHOS BRONZE PLATED WITH 1.27µm[.000050] MINIMUM THICK HARD GOLD IN LOCALIZED AREA AND 3.81µm [.000150] MINIMUM THICK MATTE TIN IN SOLDER AREA OVER 1.27µm[.000050] MINIMUM THICK NICKEL UNDERPLATE.
- ② JACK CAVITY CONFORMS TO FCC RULES AND REGULATIONS, PART 68 SUBPART F.
- ③ SHORT IS REMOVED BY INSERTION OF MODULAR PLUG.



SUGGESTED PC BOARD LAYOUT  
 COMPONENT SIDE  
 SCALE 4:1

SUGGESTED PANEL CUTOUT

SHORTING FEATURE

5569972-1  
 PART NUMBER

THIS DRAWING IS A CONTROLLED DOCUMENT.		DWN L. VARELA - DOCK5 08JUN2005	Tyco Electronics Corporation Harrisburg, PA 17105-3608	
DIMENSIONS: mm [inches]		CHK J. WESTMAN 08JUN2005		
TOLERANCES UNLESS OTHERWISE SPECIFIED:		APVD S. FLICKINGER 08JUN2005	NAME	
0 PLC ± -		PRODUCT SPEC	108-1163	
1 PLC ± -		APPLICATION SPEC	114-2048	
2 PLC ± 0.25[.01]		WEIGHT	-	
3 PLC ± 0.13[.005]		CUSTOMER DRAWING	SCALE 2:1 SHEET 1 OF 1 REV A	
4 PLC ± -		FINISH	-	
ANGLES ± -		SIZE	A2	
MATERIAL		WEIGHT	-	
FINISH		SCALE	2:1	
CAGE CODE		00779		DRAWING NO
DRAWING NO		C=5569972		RESTRICTED TO
SHEET		1 OF 1		REV
REV		A		