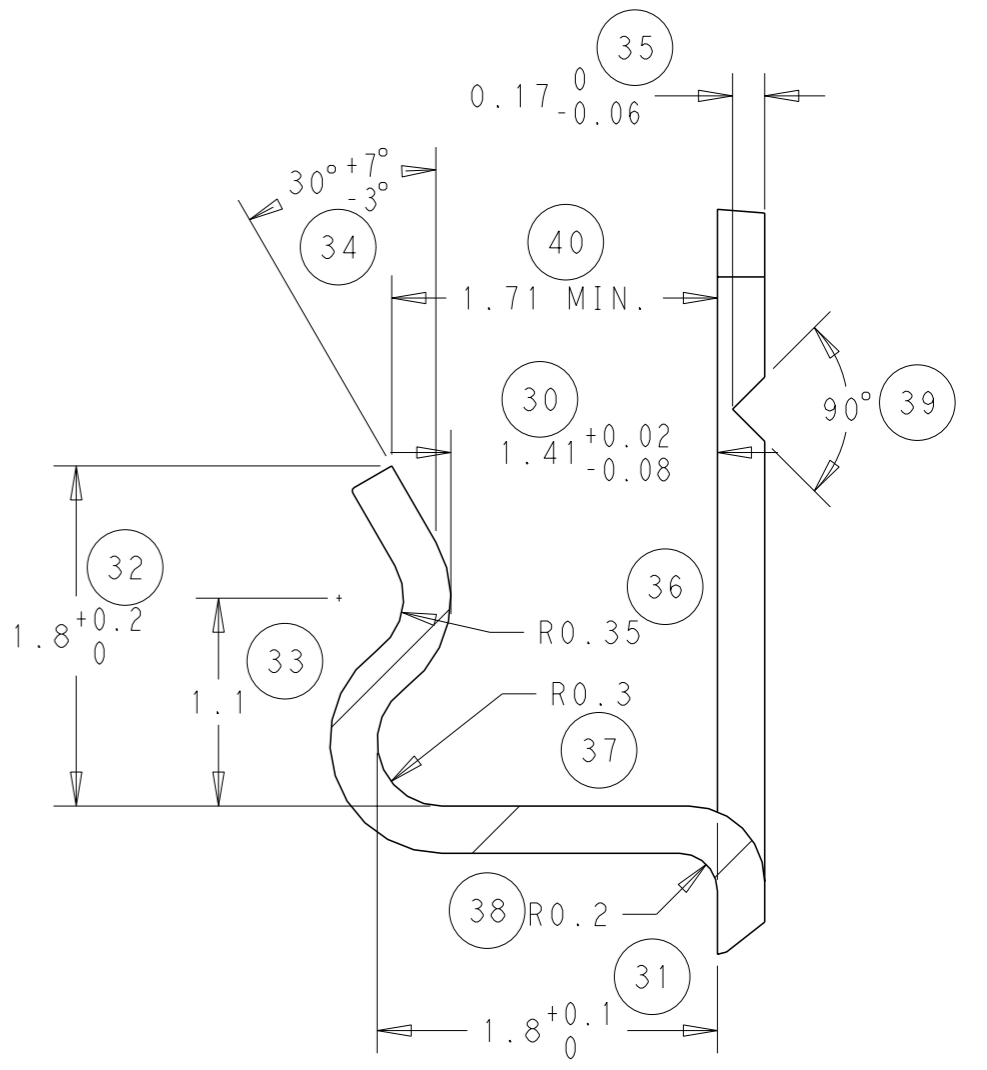
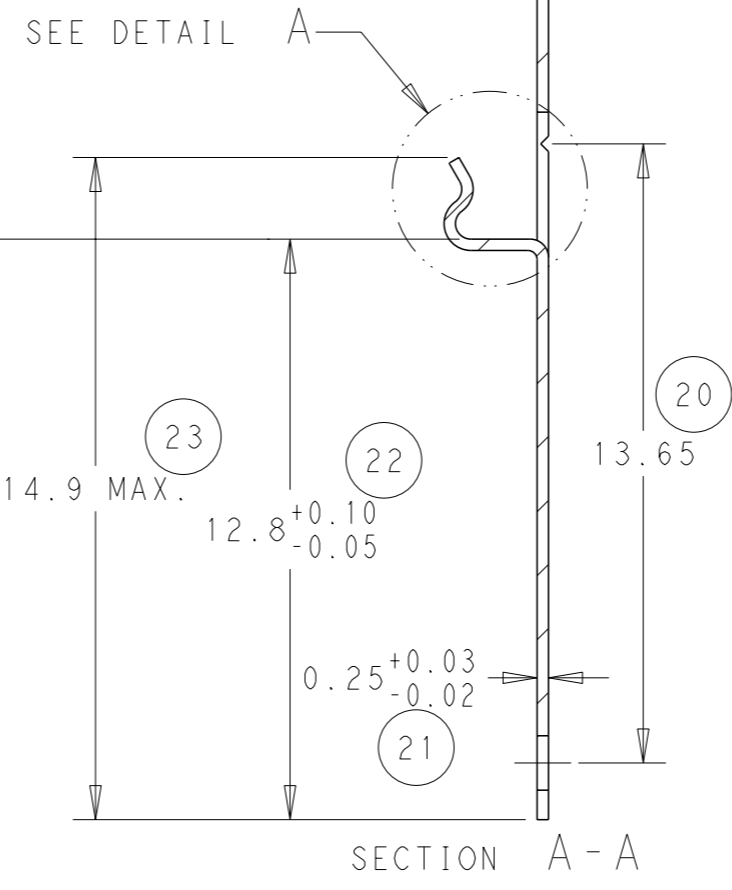
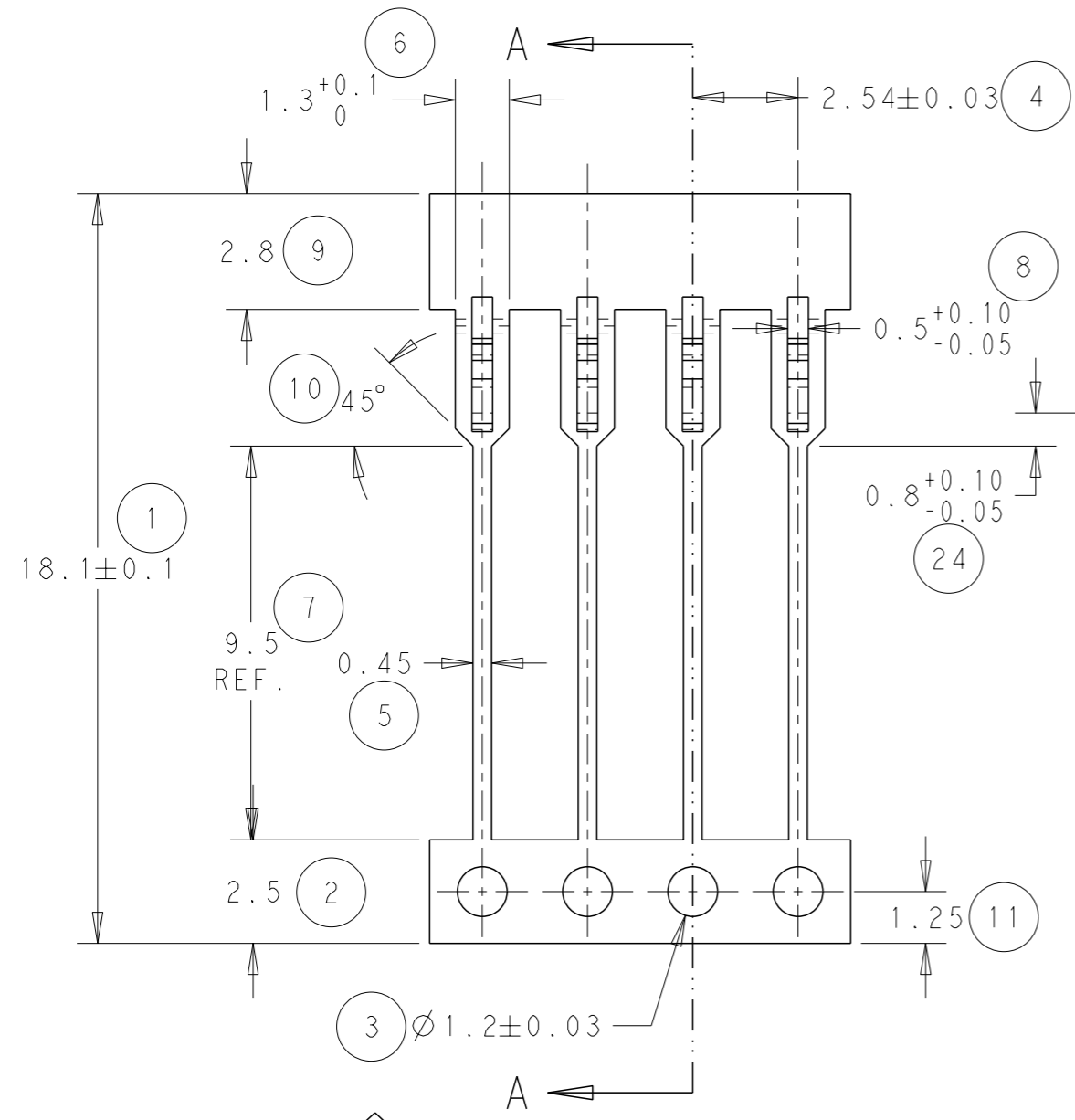
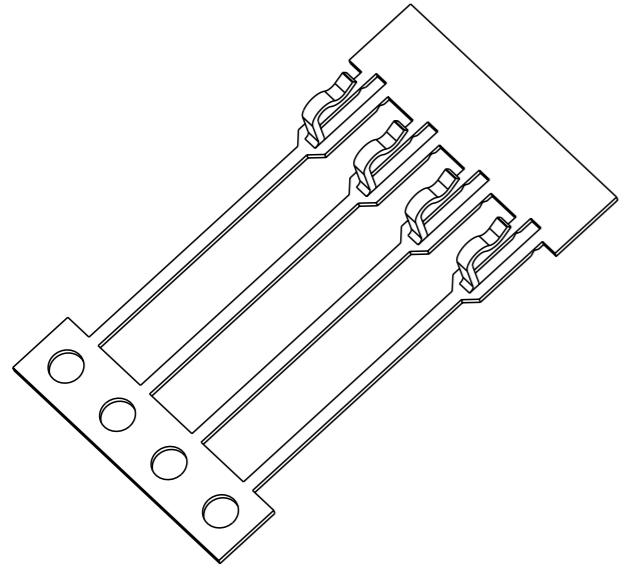


THIS DRAWING IS UNPUBLISHED. RELEASED FOR PUBLICATION 2011
 © COPYRIGHT 2011 TE CONNECTIVITY ALL RIGHTS RESERVED.

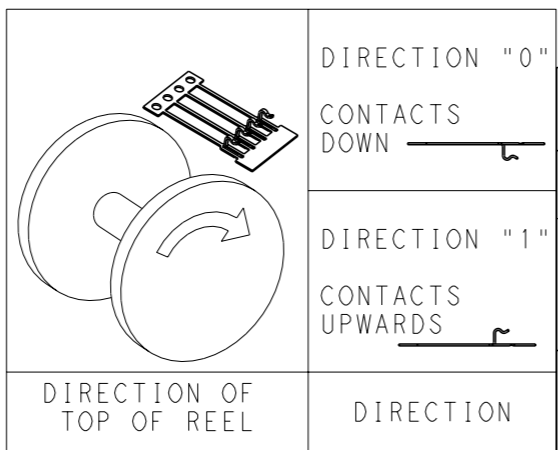
LOC	DIST	REVISIONS			
P	LTR	DESCRIPTION	DATE	DWN	APVD
B	-	ECR-11-017575	19/08/11	JB	MG
C	-	ECR-11-017664	25/08/11	JB	MG
D	-	ECR-11-018539	12/09/11	JB	MG



NOTE
 BOWING: AFTER UPPER TIE BAR REMOVAL - 1.5mm MAX. FOR 500mm
 PITCH: AFTER UPPER TIE BAR REMOVAL - 2.54±0.127



SCALE 4:1



THIS DRAWING IS A CONTROLLED DOCUMENT.

DIMENSIONS:	TOLERANCES UNLESS OTHERWISE SPECIFIED:
mm	0 PLC ±-
	1 PLC ±-
	2 PLC ±0.05
	3 PLC ±-
	4 PLC ±-
	ANGLES ±0.5
MATERIAL	FINISH -
SEE ABOVE	

DWN	19/08/11
J. BRIGHT	
CHK	19/08/11
M. GREENER	
APVD	19/08/11
D. PENNINGTON	
PRODUCT SPEC	
APPLICATION SPEC	
WEIGHT	-

0	Ni & Sn	1544394-1
REELING	FINISH	PART NUMBER

STE TE Connectivity	
NAME SIL CONTACT	
SIZE	CAGE CODE
A3	00779
DRAWING NO	RESTRICTED TO
C=1544394	-

CUSTOMER DRAWING	SCALE NTS	SHEET 1 OF 1	REV D
------------------	-----------	--------------	-------